

**PLEASE CHECK WWW.MOLEX.COM FOR LATEST PART INFORMATION**

**Part Number:** [0493900004](#)  
**Status:** **Active**  
**Description:** 6.60mm (.259") Pitch Wire-to-Board Header, Dual Row, Vertical, 8 Circuits, Polyester Carbonate UL94V-0, Blue

**Documents:**

[3D Model](#) [Product Specification PS-49390-001 \(PDF\)](#)  
[Drawing \(PDF\)](#) [RoHS Certificate of Compliance \(PDF\)](#)

**General**

Product Family	PCB Headers
Series	<a href="#">49390</a>
Application	Wire-to-Board
Comments	Polarized to Mating Part
Product Name	N/A

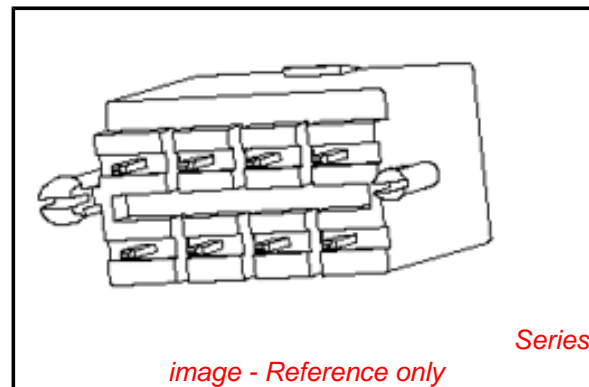
**Physical**

Breakaway	No
Circuits (Loaded)	8
Circuits (maximum)	8
Durability (mating cycles max)	30
First Mate / Last Break	No
Glow-Wire Compliant	No
Guide to Mating Part	No
Keying to Mating Part	None
Lock to Mating Part	Yes
Material - Plating Mating	Tin
Material - Plating Termination	Tin
Number of Rows	2
Orientation	Vertical
PC Tail Length (in)	0.130 In
PC Tail Length (mm)	3.30 mm
PCB Locator	Yes
PCB Retention	Yes
Packaging Type	Bag
Pitch - Mating Interface (in)	0.236 In
Pitch - Mating Interface (mm)	6.00 mm
Pitch - Term. Interface (in)	0.236 In
Pitch - Term. Interface (mm)	6.00 mm
Plating min: Mating (µin)	40
Plating min: Mating (µm)	1
Plating min: Termination (µin)	40
Plating min: Termination (µm)	1
Polarized to Mating Part	No
Polarized to PCB	Yes
Shrouded	Fully
Stackable	No
Surface Mount Compatible (SMC)	No
Temperature Range - Operating	-40°C to +120°C
Termination Interface: Style	Through Hole

**Electrical**

Current - Maximum per Contact	0.5A
Voltage - Maximum	300V AC (RMS)/DC

**Material Info**



**EU RoHS**

**ELV and RoHS Compliant**  
**REACH SVHC**  
 Not Reviewed  
**Halogen-Free**  
**Status**  
**Not Reviewed**

**China RoHS**



**Need more information on product environmental compliance?**

Email [productcompliance@molex.com](mailto:productcompliance@molex.com)  
 For a multiple part number RoHS Certificate of Compliance, [click here](#)

Please visit the [Contact Us](#) section for any non-product compliance questions.

**Search Parts in this Series**  
[49390Series](#)

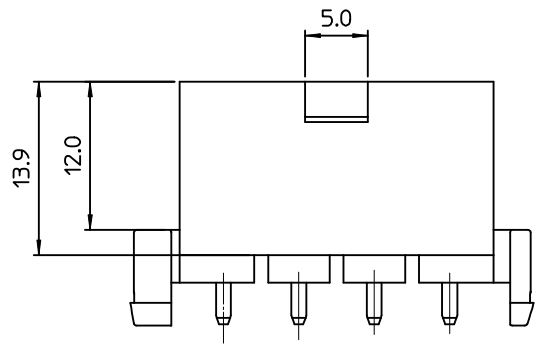
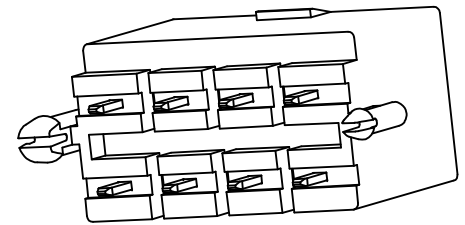
**Reference - Drawing Numbers**

Product Specification  
Sales Drawing

PS-49390-001  
SD-49390-001

This document was generated on 04/21/2010

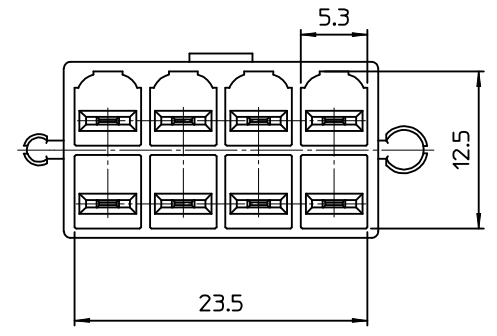
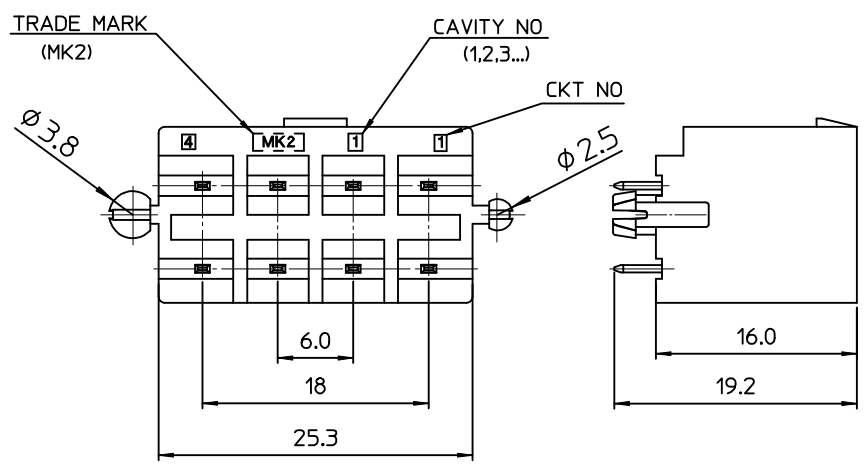
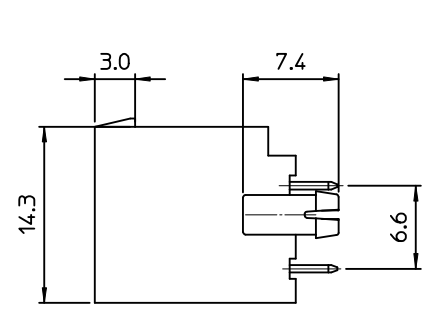
**PLEASE CHECK [WWW.MOLEX.COM](http://WWW.MOLEX.COM) FOR LATEST PART INFORMATION**



Notes

1. MATERIAL : WAFER : PC/PET UL94V-0  
 ◎PIN : BRASS, PRE TIN-PLATED
2. COLOR : SEE TABLE
3. MATED HOUSING : 49391-000\*
4. PRODUCT SPECIFICATION : PS-49390-001
5. PACKING SPECIFICATION : PK-49390-001

NO.	ENG NO.	COLOR	MATERIAL
1	49390-0001	NATURAL	PC/PET (UL94V-0)
2	49390-0002	RED	
3	49390-0004	BLUE	



REVISED EC NO: KOR2010-0047 DRAWN: JHPARK01 2009/09/16 CHKD: WYANG 2009/09/18 APPR: YUNSIKKIM 2009/09/18	DESCRIPTION REV	QUALITY SYMBOLS	GENERAL TOLERANCES (UNLESS SPECIFIED)	DIMENSION STYLE	SCALE	DESIGN UNITS	THIRD ANGLE PROJECTION
		$\nabla = 0$ $\sphericalangle = 0$	mm    INCH 4 PLACES ± --- ± --- 3 PLACES ± --- ± --- 2 PLACES ± 0.2 ± --- 1 PLACE ± 0.3 ± --- ANGULAR ± 1 °	MM ONLY	2.5:1	METRIC	TITLE .070 W/B CONNECTOR-8P HEADER
		DRAFT WHERE APPLICABLE MUST REMAIN WITHIN DIMENSIONS	DRAWN BY JH.PARK DATE 2006/05/30 CHECKED BY WY.YANG DATE 2006/05/30 APPROVED BY SH.CHOI DATE 2006/05/30 MATERIAL NO.	SEE TABLE SIZE A3	MOLEX INCORPORATED DOCUMENT NO. SD-49390-001	SHEET NO. 1 OF 01	
		THIS DRAWING CONTAINS INFORMATION THAT IS PROPRIETARY TO MOLEX INCORPORATED AND SHOULD NOT BE USED WITHOUT WRITTEN PERMISSION					