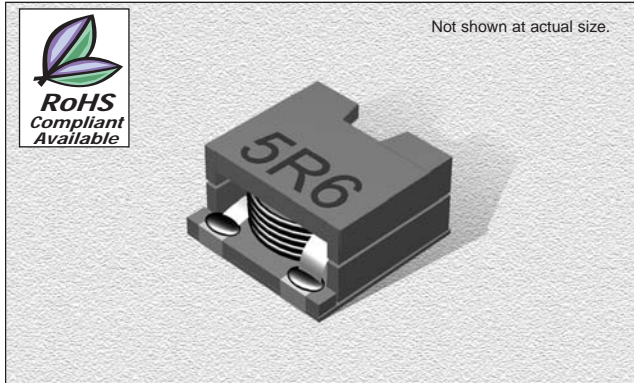


CTEP125U Series

From 0.3 μ H to 5.6 μ H



CHARACTERISTICS

Description: SMD shielded power inductor

Applications: Power supplies for VTR, OA equipment, LCD televisions, PC notebooks, portable communication equipment, DC/DC converters, etc.

Operating Temperature: -30°C to +100°C

Inductance Tolerance: $\pm 20\%$

Testing: Tested on a HP4285A at 100 KHz , 0.25Vrms , 0Adc

Packaging: Tape & Reel

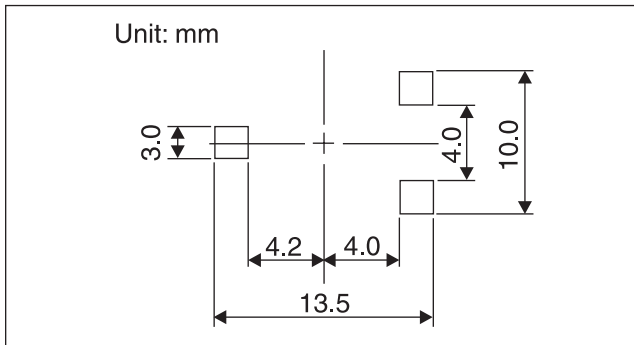
Marking: Parts are marked with inductance code

Miscellaneous: RoHS Compliant available.

Additional Information: Additional electrical & physical information available upon request

Samples available. See website for ordering information.

PAD LAYOUT



SPECIFICATIONS

Parts are available in $\pm 20\%$ only.

* This indicates the current when the inductance decreases to 75% over its nominal value or DC current when the temperature rising $\Delta T=40^\circ\text{C}$ lower, whichever is lower.

CTEP125UE Please specify "F" for RoHS compliant

Part Number	Inductance ($\mu\text{H} \pm 20\%$)	L Test Freq. (kHz)	DCR Max. (m Ω)	*Current (A)
CTEP125U_-0R3M	0.3	100	2.5	35.0
CTEP125U_-0R6M	0.6	100	2.5	30.0
CTEP125U_-0R8M	0.8	100	2.5	27.2
CTEP125U_-1R4M	1.4	100	3.4	20.8
CTEP125U_-2R2M	2.2	100	5.4	14.8
CTEP125U_-3R2M	3.2	100	8.0	12.8
CTEP125U_-4R3M	4.3	100	11.4	11.0
CTEP125U_-5R6M	5.6	100	13.5	9.5

PHYSICAL DIMENSIONS

Size	A Max.	B Max.	C Max.	D	E	F	G	H
mm	12.9	12.9	5.8	2.6 \pm 2	7.0 \pm 2	4.0 \pm 2	4.2 \pm 2	2.5 \pm 2
inches	.51	.51	.23	.10 \pm 0.1	.28 \pm 0.1	.16 \pm 0.1	0.17 \pm 0.1	.10 \pm 0.1

