

PLEASE CHECK WWW.MOLEX.COM FOR LATEST PART INFORMATION

Part Number: [0353621350](#)
Status: **Active**
Overview: sherlock
Description: 2.00mm (.079") Pitch Sherlock™ Wire-to-Board Header, Vertical, with Positive Lock, 13 Circuits, with Kinked PC Tails, Natural

Documents:

[3D Model](#) [Product Specification PS-35507-003 \(PDF\)](#)
[Drawing \(PDF\)](#) [RoHS Certificate of Compliance \(PDF\)](#)

Agency Certification

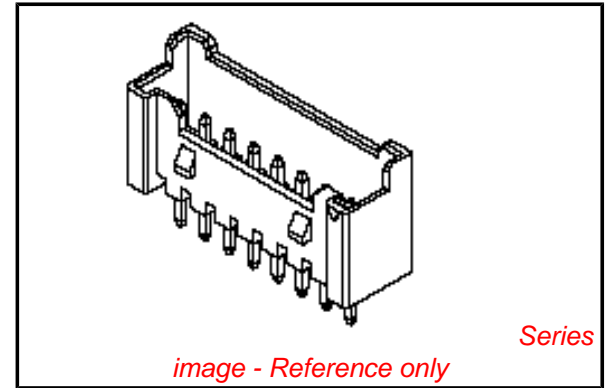
CSA LR19980
 UL E29179

General

Product Family PCB Headers
 Series [35362](#)
 Application Wire-to-Board
 Overview [sherlock](#)
 Product Name Sherlock™

Physical

Breakaway No
 Circuits (Loaded) 13
 Circuits (maximum) 13
 Color - Resin Natural
 Durability (mating cycles max) 30
 First Mate / Last Break No
 Flammability 94V-0
 Glow-Wire Compliant No
 Guide to Mating Part No
 Keying to Mating Part None
 Lock to Mating Part Yes
 Mated Height (in) 0.335 In
 Mated Height (mm) 8.50 mm
 Material - Plating Mating Tin
 Material - Plating Termination Tin
 Material - Resin Nylon
 Number of Rows 1
 Orientation Vertical
 PC Tail Length (in) 0.130 In
 PC Tail Length (mm) 3.30 mm
 PCB Locator No
 PCB Retention Yes
 PCB Thickness Recommended (in) 0.062 In
 PCB Thickness Recommended (mm) 1.60 mm
 Packaging Type Bag
 Pitch - Mating Interface (in) 0.079 In
 Pitch - Mating Interface (mm) 2.00 mm
 Pitch - Term. Interface (in) 0.079 In
 Pitch - Term. Interface (mm) 2.00 mm
 Polarized to Mating Part Yes
 Polarized to PCB No
 Shrouded Partial
 Stackable No
 Surface Mount Compatible (SMC) No



EU RoHS

ELV and RoHS Compliant
REACH SVHC
 Not Reviewed
Halogen-Free Status

China RoHS



Halogen-Free

Need more information on product environmental compliance?

Email productcompliance@molex.com
 For a multiple part number RoHS Certificate of Compliance, [click here](#)

Please visit the [Contact Us](#) section for any non-product compliance questions.

Search Parts in this Series

[35362Series](#)

Mates With

[35507 Sherlock™ Wire-to-Board Housing](#)

Use With

[502128000 Terminal](#)

Temperature Range - Operating -40°C to +105°C
Termination Interface: Style Through Hole

Electrical

Current - Maximum per Contact 2A
Voltage - Maximum 125V

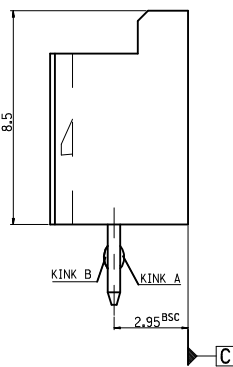
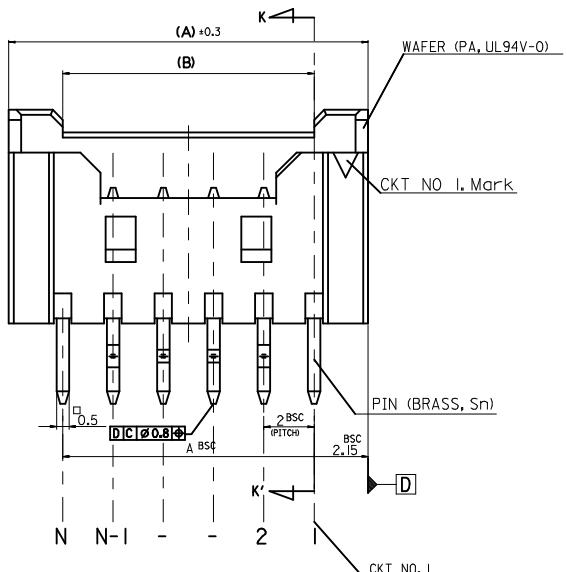
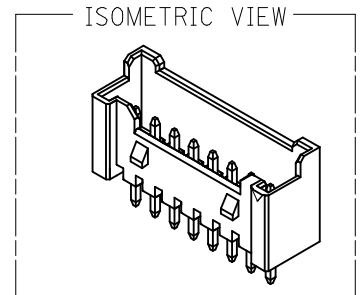
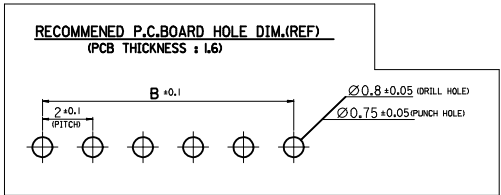
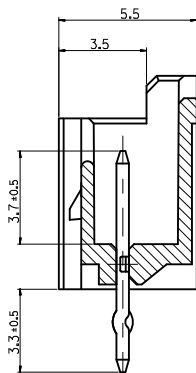
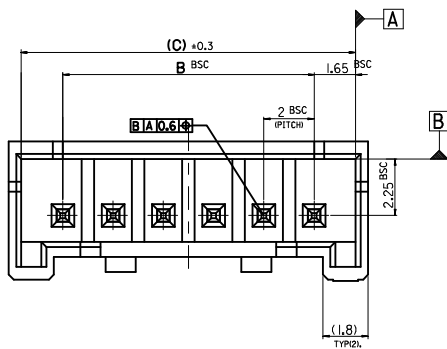
Material Info

Reference - Drawing Numbers

Packaging Specification PK-35362-002
Product Specification PS-35507-003, RPS-35507-005, RPS-35507-007,
RPS-35507-009
Sales Drawing SD-35362-002, SD-35362-003

This document was generated on 05/24/2010

PLEASE CHECK WWW.MOLEX.COM FOR LATEST PART INFORMATION



LEGEND

SD-35362-****

CKT NO. _____ COLOR _____

FINAL GOOD (BULK) — 5 : SELECTIVE KINK (LEAD FREE)
 — 6 : NONE KINK (LEAD FREE)

SUB ASSY (TUBE) — 7 : SELECTIVE KINK (LEAD FREE)
 — 8 : NONE KINK (LEAD FREE)

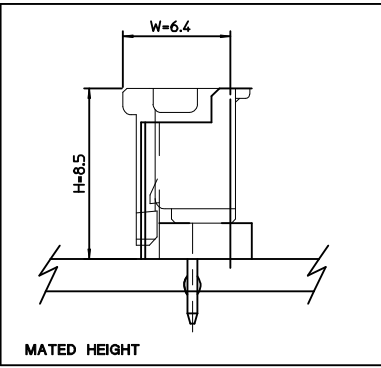
0 : NATURAL
 1 : BLACK
 2 : RED
 3 : YELLOW
 4 : BLUE
 5 : GREEN
 6 : TUBE PACKING (Natural Color)
 7 : TUBE PACKING (Red Color)
 8 : TUBE PACKING (Blue Color)

NOTES

- MATERIAL : UNFILLED POLYAMIDE, UL94V-0
PIN : BRASS . TIN PLATED
- FINISHES : TERMINAL : Sn 2-3um OVERALL
- PRODUCT SPECIFICATION : PS-35507-003
- MATING HOUSING : 35507-**0*
MATING TERMINAL : 50212-8000
- KINK

CKT	CKT NO	1	2	3	4	5	N-2	N-1	N
6 CKT OVER		-	A	B	-	-	B	A	-
5 CKT		A	B	-	B	A			
4 CKT		A	B	B	A				

31.3	28	32.3	3536215**	35362-15**	15
29.3	26	30.3	3536214**	35362-14**	14
27.3	24	28.3	3536213**	35362-13**	13
25.3	22	26.3	3536212**	35362-12**	12
23.3	20	24.3	3536211**	35362-11**	11
21.3	18	22.3	3536210**	35362-10**	10
19.3	16	20.3	3536209**	35362-09**	9
17.3	14	18.3	3536208**	35362-08**	8
15.3	12	16.3	3536207**	35362-07**	7
13.3	10	14.3	3536206**	35362-06**	6
11.3	8	12.3	3536205**	35362-05**	5
9.3	6	10.3	3536204**	35362-04**	4
(C)	B	(A)	ENG. NO.	ENG. NO.	CKT



LEAD FREE

30 over	±0.3
10 over 30 under	±0.25
10 under	±0.2
ANGLE	±3°
GENERAL TOLERANCE	

REVISED
 EC NO: KOR2009-0123
 DRWN:HJEONG
 CHKD:YSOOKIM
 APPR:YUNSJKIM

2009/03/09
 2009/03/10
 2009/03/11

QUALITY SYMBOLS
 ▽=0
 ◁=0

DESCRIPTION

GENERAL TOLERANCES (UNLESS SPECIFIED)

	mm	INCH
4 PLACES	±---	±---
3 PLACES	±---	±---
2 PLACES	±---	±---
1 PLACE	±---	±---
ANGULAR ±---°		

DRAFT WHERE APPLICABLE MUST REMAIN WITHIN DIMENSIONS

DIMENSION STYLE
MM ONLY

DRAWN BY YSOOKIM DATE 1996/09/11
 CHECKED BY DATE
 YSOOKIM 1996/09/11
 APPROVED BY DATE
 CWLEE 1996/09/11

MATERIAL NO.
SEE TABLEE

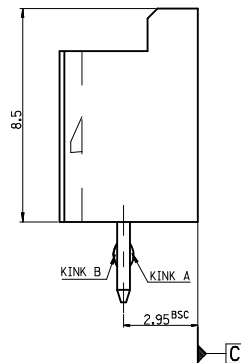
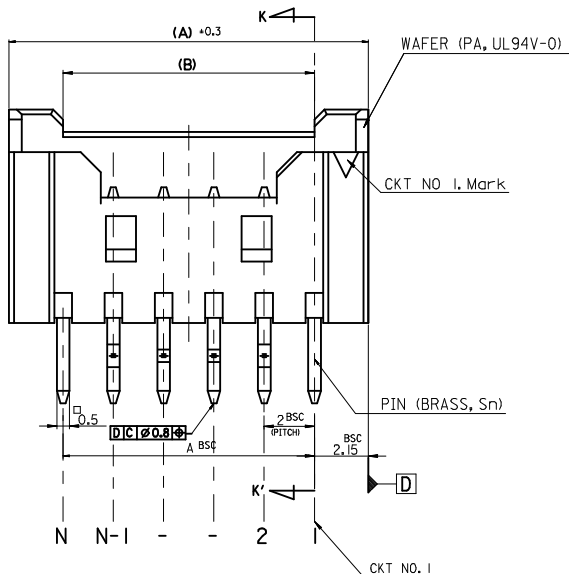
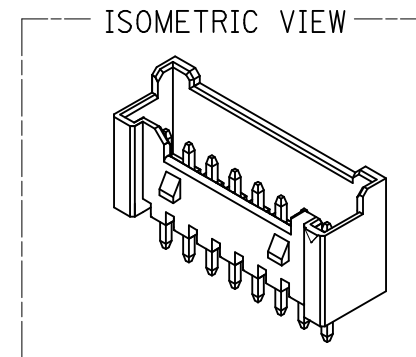
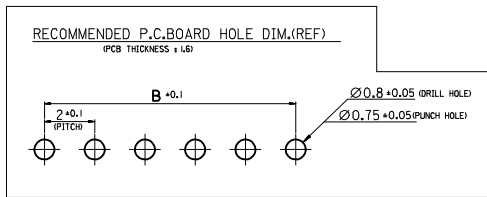
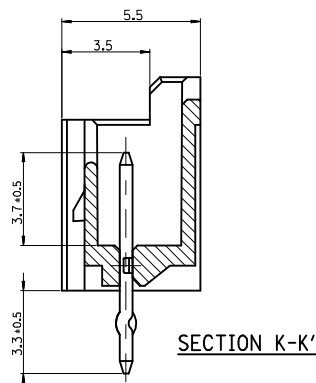
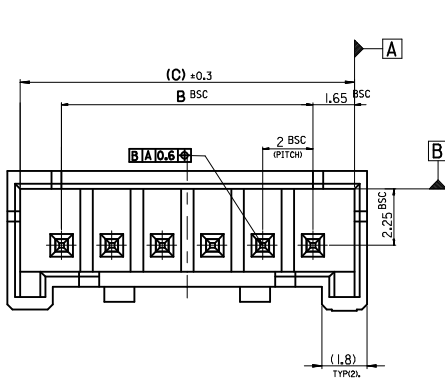
SIZE
A3

SCALE 5:1
 DESIGN UNITS METRIC
 THIRD ANGLE PROJECTION

TITLE
2.0 W/B WAFER ASS'Y -LEAD FREE-

MOLEX INCORPORATED
 DOCUMENT NO. SD-35362-002
 SHEET NO. 1 OF 3

THIS DRAWING CONTAINS INFORMATION THAT IS PROPRIETARY TO MOLEX INCORPORATED AND SHOULD NOT BE USED WITHOUT WRITTEN PERMISSION



LEGEND

SD-35362-***
 CKT NO. — COLOR

- 0 : NATURAL
- 1 : BLACK
- 2 : RED
- 3 : YELLOW
- 4 : BLUE
- 5 : GREEN
- 6 : TUBE PACKING (Natural Color)
- 7 : TUBE PACKING (Red Color)
- 8 : TUBE PACKING (Blue Color)

FINAL GOOD (BULK) — 5 : SELECTIVE KINK (LEAD FREE)
 — 6 : NONE KINK (LEAD FREE)

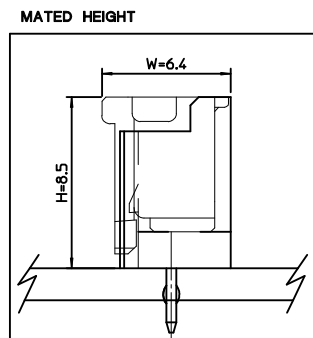
SUB ASSY (TUBE) — 7 : SELECTIVE KINK (LEAD FREE)
 — 8 : NONE KINK (LEAD FREE)

NOTES

- MATERIAL : WAFER : UNFILLED POLYAMIDE, UL94V-0
PIN : BRASS
- FINISHES : TERMINAL : Sn 2.3um OVERALL
- PRODUCT SPECIFICATION : PS-35507-003
- MATING HOUSING : 35507-***0*
MATING TERMINAL : 50212-8000
- KINK

CKT	CKT NO		3	-	N-2	N-1	N
	1	2					
16±20 CKT	-	A	B	-	-	B	A

41.3	38	42.3	3536220**	35362-20**	20
39.3	36	40.3	3536219**	35362-19**	19
37.3	34	38.3	3536218**	35362-18**	18
35.3	32	36.3	3536217**	35362-17**	17
33.3	30	34.3	3536216**	35362-16**	16
(C)	B	(A)	MATERIAL NO.	ENG. NO.	CKT



LEAD FREE

30 over	±0.3
10 over 30 under	±0.25
10 under	±0.2
ANGLE	±3°
GENERAL TOLERANCE	

REVISED
 EC NO: KOR2009-0123
 DRWN:HJEONG 2009/03/09
 CHKD:YSOOKIM 2009/03/10
 APPR:YUNS.IKKIM 2009/03/11

QUALITY SYMBOLS
 ▽=0
 ▽=0

GENERAL TOLERANCES (UNLESS SPECIFIED)

	mm	INCH
4 PLACES	±---	±---
3 PLACES	±---	±---
2 PLACES	±---	±---
1 PLACE	±---	±---
ANGULAR	±---°	

DRAFT WHERE APPLICABLE
 MUST REMAIN
 WITHIN DIMENSIONS

DIMENSION STYLE
MM ONLY

SCALE
5:1

DESIGN UNITS
METRIC

THIRD ANGLE PROJECTION

DRAWN BY
 YSOOKIM
 DATE
 1996/09/11

CHECKED BY
 JKOH
 DATE
 1996/09/11

APPROVED BY
 CWLEE
 DATE
 1996/09/11

MATERIAL NO.
SEE TABLE

SIZE
A3

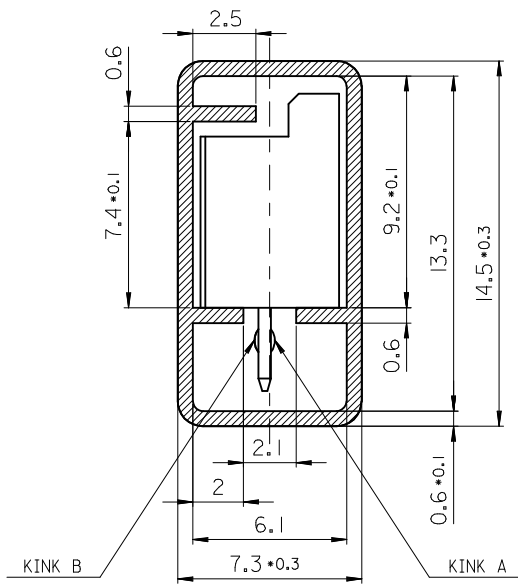
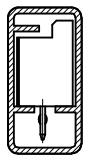
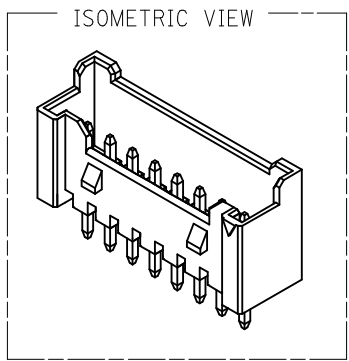
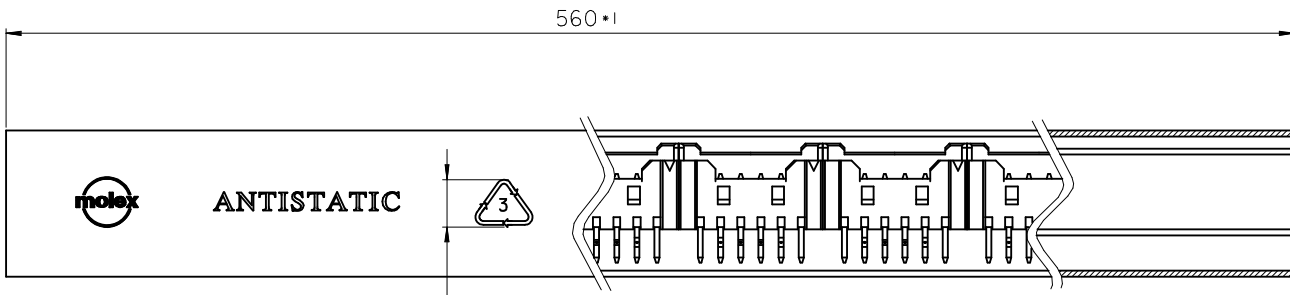
TITLE
**2.0 W/B WAFER ASS'Y
 -LEAD FREE-**

MOLEX INCORPORATED

DOCUMENT NO.
SD-35362-002

SHEET NO.
3 OF 3

THIS DRAWING CONTAINS INFORMATION THAT IS PROPRIETARY TO MOLEX INCORPORATED AND SHOULD NOT BE USED WITHOUT WRITTEN PERMISSION



LEGEND.

E-35362-*** **

2-20 Circuits [CKT NO.]

Final GOOD (Bulk) [5 : SELECTIVE KINK, 6 : NONE KINK]

Sub Assy (Tube) [7 : SELECTIVE KINK, 8 : NONE KINK]

[KINK]

COLOR & PACKING

- 0 : NATURAL
- 1 : BLACK
- 2 : RED
- 3 : YELLOW
- 4 : BLUE
- 5 : GREEN
- 6 : TUBE PACKING (Natural Color)
- 7 : TUBE PACKING (RED Color)
- 8 : TUBE PACKING (BLUE Color)

[B]

NOTES

1. MATERIAL : TUBE - TRANSLUCENT P.V.C (P-1000)
Wafer - POLYAMIDE, UL94V-0
PIN - BRASS SQ 0.5mm
2. BOW(CAMBER) : 1.0mm MAX/Total Length
3. DIMENSIONS GIVEN ACROSS CENTER LINES ARE SYMMETRICAL ABOUT THOSE CENTER LINES WITH HALF THE TOTAL LENGTH.
4. TOTAL TUBE LENGTH : 560mm + -1mm
5. TWIST : 5° MAX./Total Length
6. BURRS : 0.2mm MAX.
7. SKEW : PRODUCTS MUST BE FLOWED SMOOTHLY WHEN THIS STICK IS PLACES 30° ANGLE.
8. THICKNESS : 0.6mm + -0.1mm
9. ARTWORK : PER E-35900-0434 (SILK SCREEN COLOR : RED)
10. APPLICABLE STOPPER(RUBBER) : 35900-0435

TABLE

10	20**	-20**	20
10	19**	-19**	19
10	18**	-18**	18
10	17**	-17**	17
15	16**	-16**	16
15	15**	-15**	15
15	14**	-14**	14
15	13**	-13**	13
15	12**	-12**	12
20	11**	-11**	11
20	10**	-10**	10
25	09**	-09**	9
25	08**	-08**	8
30	07**	-07**	7
35	06**	-06**	6
40	05**	-05**	5
50	04**	-04**	4
60	03**	-03**	3
70	3536202**	35362-02**	2
QT'y	Material NO.	ENG. NO.	CKT

KINK TABLE(FOR 35362-**)**

CKT NO	1	2	3	4	5	N-2	N-1	N
6 CKT OVER	-	A	B	-	-	B	A	-
5 CKT	A	B	-	B	A			
4 CKT	A	B	B	A				
3 CKT	A	B	A					
2 CKT	-							

** 35362-0287 IS ONLY KINKED 2P

CKT NO	1	2
35362-0287	A	B

LEAD FREE

REVISED EC NO: KOR2009-0123 DRWN:HJEONG 2009/03/09 CHKD:YSOOKIM 2009/03/10 APPR:YUNSIKKIM 2009/03/11	QUALITY SYMBOLS ▽=0 ◻=0	GENERAL TOLERANCES (UNLESS SPECIFIED)		DIMENSION STYLE MM ONLY		SCALE 5:1	DESIGN UNITS METRIC	THIRD ANGLE PROJECTION			
		4 PLACES ± --- ± --- 3 PLACES ± --- ± --- 2 PLACES ± --- ± --- 1 PLACE ± 0.2 ± ---	mm INCH ± --- ± --- ± --- ± --- ± 0.2 ± ---	DRAWN BY YSOOKIM	DATE 2000/12/11	TITLE 2.0 W/B WAFER ASS'Y TUBE PACKING -LEAD FREE-					
		ANGULAR ± 1°		CHECKED BY JKOH	DATE 2000/12/11	MOLEX INCORPORATED					
		DRAFT WHERE APPLICABLE MUST REMAIN WITHIN DIMENSIONS		APPROVED BY CWLEE	DATE 2000/12/11	MATERIAL NO. SEE TABLE	DOCUMENT NO. SD-35362-003	SHEET NO. 1 OF 1			

THIS DRAWING CONTAINS INFORMATION THAT IS PROPRIETARY TO MOLEX INCORPORATED AND SHOULD NOT BE USED WITHOUT WRITTEN PERMISSION