

PLEASE CHECK WWW.MOLEX.COM FOR LATEST PART INFORMATION

Part Number: [0416620002](#)
Status: **Active**
Description: 3.96mm (.156") Pitch KK® Header, Breakaway, Right Angle, 3 Circuits, 0.38µm (15µ") Gold (Au) Selective Plating

Documents:

| | |
|---|--|
| 3D Model | Product Specification PS-08-50 (PDF) |
| Packaging Specification (PDF) | RoHS Certificate of Compliance (PDF) |
| Drawing (PDF) | |

Agency Certification

| | |
|-----|---------|
| CSA | LR19980 |
| UL | E29179 |

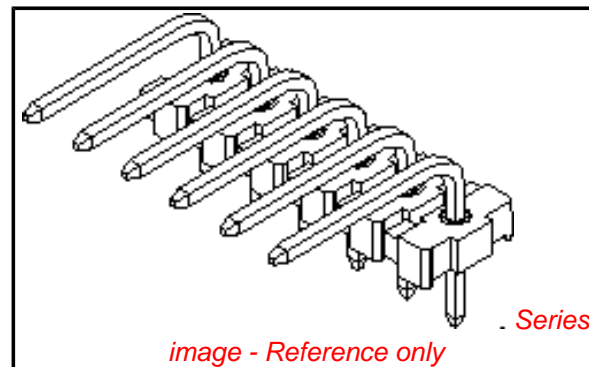
General

| | |
|----------------|-------------------------------|
| Product Family | PCB Headers |
| Series | 41662 |
| Application | Board-to-Board, Wire-to-Board |
| Product Name | KK® |

Physical

| | |
|--------------------------------|--------------|
| Breakaway | Yes |
| Circuits (Loaded) | 3 |
| Circuits (maximum) | 3 |
| Color - Resin | Black |
| Durability (mating cycles max) | 50 |
| First Mate / Last Break | No |
| Flammability | 94V-0 |
| Glow-Wire Compliant | No |
| Guide to Mating Part | No |
| Keying to Mating Part | None |
| Lock to Mating Part | None |
| Material - Metal | Brass |
| Material - Plating Mating | Gold |
| Material - Resin | Polyester |
| Number of Rows | 1 |
| Orientation | Right Angle |
| PC Tail Length (in) | 0.184 In |
| PC Tail Length (mm) | 4.67 mm |
| PCB Locator | No |
| PCB Retention | None |
| PCB Thickness Recommended (in) | 0.062 In |
| PCB Thickness Recommended (mm) | 1.60 mm |
| Packaging Type | Bag |
| Pitch - Mating Interface (in) | 0.156 In |
| Pitch - Mating Interface (mm) | 3.96 mm |
| Plating min: Mating (µin) | 15 |
| Plating min: Mating (µm) | 0.38 |
| Polarized to Mating Part | Yes |
| Polarized to PCB | No |
| Shrouded | Partial |
| Stackable | No |
| Temperature Range - Operating | 0°C to +75°C |
| Termination Interface: Style | Through Hole |

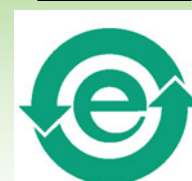
Electrical



EU RoHS

ELV and RoHS Compliant
REACH SVHC Contains SVHC: No
Halogen-Free Status
Not Reviewed

China RoHS



Need more information on product environmental compliance?

Email productcompliance@molex.com
 For a multiple part number RoHS Certificate of Compliance, [click here](#)

Please visit the [Contact Us](#) section for any non-product compliance questions.

Search Parts in this Series

41662Series

Mates With

[2139](#) , [2145](#) , [6442](#) , [7674](#) , [7675](#) , [41695](#) , [41815](#)

| | |
|-------------------------------|------|
| Current - Maximum per Contact | 7A |
| Voltage - Maximum | 250V |

Solder Process Data

| | |
|--|------------------------|
| Duration at Max. Process Temperature (seconds) | 5 |
| Lead-free Process Capability | Wave Capable (TH only) |
| Max. Cycles at Max. Process Temperature | 1 |
| Process Temperature max. C | 235 |

Material Info

| | |
|-----------------|-----------------|
| Old Part Number | A-41662-B03Y208 |
|-----------------|-----------------|

Reference - Drawing Numbers

| | |
|-----------------------|--------------|
| Product Specification | PS-08-50 |
| Sales Drawing | SD-41662-001 |

This document was generated on 04/19/2010

PLEASE CHECK WWW.MOLEX.COM FOR LATEST PART INFORMATION

A-41662-* N * * - *

PACKAGING AND OPTIONS

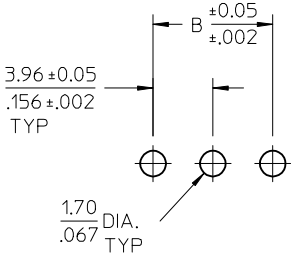
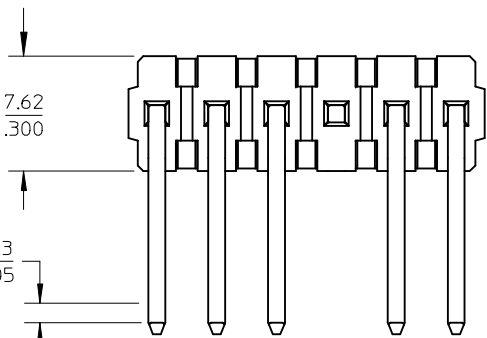
NO. OF CKTS.

PIN DIMENSIONS

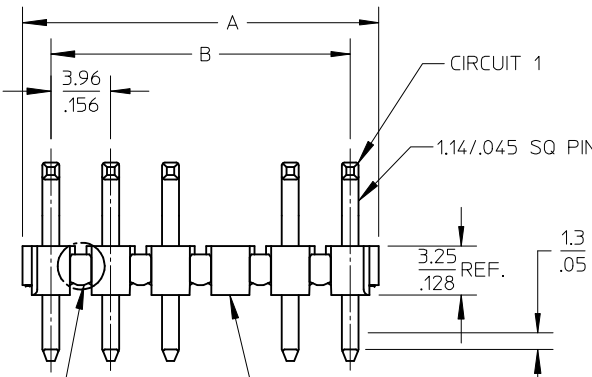
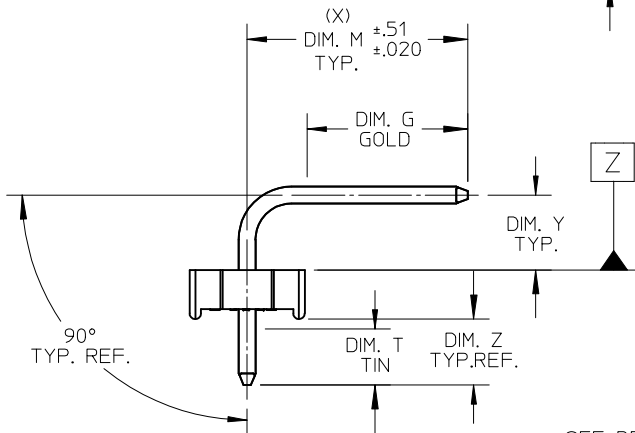
PLATING

VOID LOCATIONS:
 BLANK = NO VOIDS
 NO.= CKT NO. VOIDED
 MULT. VOIDS START WITH 51

CENTERLINE OF PIN IN AREA SHOWN NOT TO VARY FROM CENTERLINE OF PIN AT DATUM Z BY MORE THAN 0.20/.008 IN ANY DIRECTION.



PCB LAYOUT: COMPONENT SIDE
 RECOMMENDED PCB THICKNESS: (1.57 ± .18) / .062 ± .007



1.3 CENTERLINE OF PIN IN AREA SHOWN NOT TO VARY FROM CENTERLINE OF PIN AT DATUM Z BY MORE THAN 0.13/.005 IN ANY DIRECTION.

SEE DETAIL A

OPTIONAL VOIDED CKT. SEE CHART FOR LOCATIONS

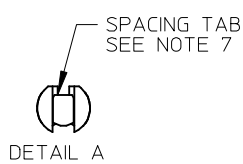
NOTES:

- MATERIAL: GLASS FILLED POLYESTER, 94V-0, MOLDED BLACK
- FINISH: PER SDES-88
 - (102) OVERALL TIN: 0.00508/.000200 MIN.
 - OVERALL COPPER UNDERPLATE: 0.00254/.000100 MIN.
 - (154) OVERALL TIN: 0.00254/.000100 MIN.
 - OVERALL NICKEL UNDERPLATE: 0.00127/.000050 MIN.
 - (208) SELECT GOLD: 0.00038/.000015 MIN.
 - * SELECT TIN: 0.00254/.000100 MIN
 - OVERALL NICKEL UNDERPLATE: 0.00127/.000050 MIN.
 - (228) SELECT GOLD: 0.00076/.000030 MIN.
 - * SELECT TIN: 0.00254/.000100 MIN.
 - OVERALL NICKEL UNDERPLATE: 0.00127/.000050 MIN.
 - (501) OVERALL GOLD: 0.00051/.000020 MIN.
 - OVERALL NICKEL UNDERPLATE: 0.00076/.000030 MIN.

- PRODUCT SPECIFICATION: PS-08-50.
- PACKAGING INFORMATION: SEE CHARTS
- SOLDERABILITY: PER SMES-152.
- PIN PUSH-OUT FORCE: PRIOR TO SOLDERING, A 3 LB. MINIMUM FORCE (IN EITHER DIRECTION) SHALL BE REQUIRED TO PUSH THE PIN OUT OF THE HEADER.
- PARTS ARE STACKABLE END TO END ON 3.96/.156 CENTERS. (SPACING TABS MUST BE REMOVED ON CIRCUIT SIZES 1-23 BEFORE PARTS ARE STACKABLE.)
- THE PRIMARY SHIPPING CARTON WILL BE LABELED, "COMPLIANT TO RoHS DIRECTIVE 2002/95/EC AND ELV ANNEX II OF DIRECTIVE 2000/53/EC". CARTONS WITHOUT THIS LABEL MAY CONTAIN PRODUCT WITH TIN-LEAD PLATING.
- THIS PART CONFORMS TO CLASS B REQUIREMENTS OF COSMETIC SPECIFICATION PS-45499-002.

| CIRCUIT | B | A |
|---------|---------------|-------------------------------|
| 2 | 3.96 / .156 | 6.78 / 7.87 / .2677 / .310 |
| 3 | 7.92 / .312 | 10.74 / 11.84 / .4231 / .466 |
| 4 | 11.89 / .468 | 14.71 / 15.80 / .5791 / .622 |
| 5 | 15.85 / .624 | 18.67 / 19.76 / .7351 / .778 |
| 6 | 19.81 / .780 | 22.63 / 23.72 / .8917 / .934 |
| 7 | 23.77 / .936 | 26.59 / 27.69 / 1.047 / 1.090 |
| 8 | 27.74 / 1.092 | 30.56 / 31.65 / 1.203 / 1.246 |
| 9 | 31.70 / 1.248 | 34.52 / 35.61 / 1.359 / 1.402 |
| 10 | 35.66 / 1.404 | 38.48 / 39.57 / 1.515 / 1.558 |
| 11 | 39.62 / 1.560 | 42.44 / 43.54 / 1.671 / 1.714 |
| 12 | 43.59 / 1.716 | 46.41 / 47.50 / 1.827 / 1.870 |
| 13 | 47.55 / 1.872 | 50.37 / 51.46 / 1.983 / 2.026 |
| 14 | 51.51 / 2.028 | 54.33 / 55.42 / 2.139 / 2.182 |
| 15 | 55.47 / 2.184 | 58.29 / 59.39 / 2.295 / 2.338 |
| 16 | 59.44 / 2.340 | 62.26 / 63.35 / 2.451 / 2.494 |
| 17 | 63.40 / 2.496 | 66.22 / 67.31 / 2.607 / 2.650 |
| 18 | 67.36 / 2.652 | 70.18 / 71.27 / 2.763 / 2.806 |
| 19 | 71.32 / 2.808 | 74.14 / 75.23 / 2.919 / 2.962 |
| 20 | 75.29 / 2.964 | 78.11 / 79.20 / 3.075 / 3.118 |
| 21 | 79.25 / 3.120 | 82.07 / 83.16 / 3.231 / 3.274 |
| 22 | 83.21 / 3.276 | 86.03 / 87.12 / 3.387 / 3.430 |
| 23 | 87.17 / 3.432 | 89.94 / 91.08 / 3.541 / 3.586 |
| 24 | 91.14 / 3.588 | 93.85 / 95.00 / 3.695 / 3.740 |

| | |
|------|------|
| 2-* | AH7 |
| 1 | |
| SHT. | REV. |



| | |
|--------------------------|-----------------|
| REMOVE 41662-0684 | QUALITY SYMBOLS |
| EC NO: UCP2010-0149 | ▽=0 |
| DRWN:MKIPPER 2009/08/05 | ▽=0 |
| CHK'D:SSOUSEK 2009/08/10 | |
| APPR:FSM TH 2009/08/11 | |
| DESCRIPTION | |
| REV | |
| AH7 | |

| GENERAL TOLERANCES (UNLESS SPECIFIED) | |
|--|-----------------|
| | MM/IN |
| 4 PLACES | ± --- / ± --- |
| 3 PLACES | ± --- / ± .010 |
| 2 PLACES | ± 0.25 / ± .014 |
| 1 PLACE | ± 0.36 / ± --- |
| ANGULAR ± 1/2° | |
| DRAFT WHERE APPLICABLE MUST REMAIN WITHIN DIMENSIONS | |

| DIMENSION STYLE | |
|-----------------|------------|
| MM/IN | |
| DRAWN BY | DATE |
| JSCHAFFER | 2003/09/15 |
| CHECKED BY | DATE |
| KSAMIEC | 2003/09/15 |
| APPROVED BY | DATE |
| MARGULIS | 2003/09/15 |
| MATERIAL NO. | |
| SEE CHART | |
| SIZE | |
| A | |

| SCALE | DESIGN UNITS | THIRD ANGLE PROJECTION | |
|---|--------------|------------------------|-----------|
| 4:1 | INCH | ☉ | □ |
| TITLE | | | |
| KK .156 HEADER ASSEMBLY FLAT BREAKAWAY 2-24 CKTS. | | | |
| MOLEX INCORPORATED | | | |
| DOCUMENT NO. | | | SHEET NO. |
| SD-41662-001 | | | 1 OF 12 |
| THIS DRAWING CONTAINS INFORMATION THAT IS PROPRIETARY TO MOLEX INCORPORATED AND SHOULD NOT BE USED WITHOUT WRITTEN PERMISSION | | | |