

(TLP626)
 PROGRAMMABLE CONTROLLERS
 AC/DC-INPUT MODULE
 TELECOMMUNICATION

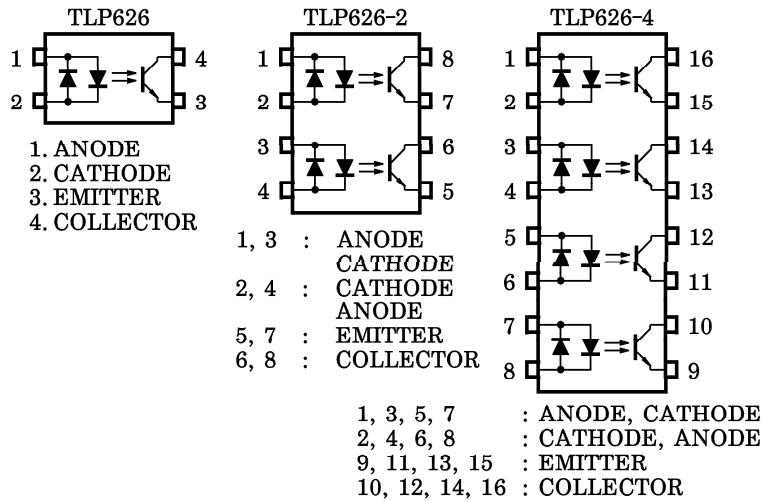
The TOSHIBA TLP626, -2 and -4 consist of gallium arsenide infrared emitting diodes connected in inverse parallel, optically coupled to a photo-transistor.
 The TLP626-2 offers two isolated channels in an eight lead plastic DIP package, while the TLP626-4 provides four isolated channels in a sixteen plastic DIP package.

- Collector-Emitter Voltage : 55V (Min.)
- Current Transfer Ratio

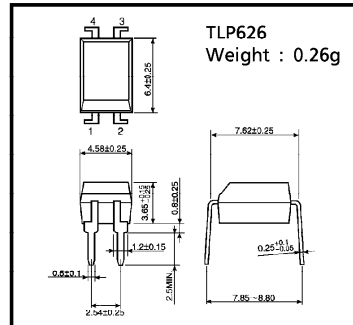
CLASSIFICATION	CURRENT TRANSFER RATIO (Min.)			MARKING OF CLASSIFICATION
	Ta = 25°C		Ta = -25~75°C	
	If = ±1mA VCE = 0.5V	If = ±0.5mA VCE = 1.5V	If = ±1mA VCE = 0.5V	
Rank BV	200%	100%	100%	BV
Standard	100%	50%	50%	BV, Blank

- Isolation Voltage : 500V_{rms} Min.
- UL Recognized : UL1577 File No. E67349
- Note : Application type name for certification test, please use standard product type name, i.e. TLP626 (BV) : TLP626

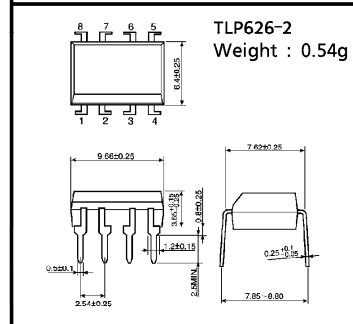
PIN CONFIGURATIONS (TOP VIEW)



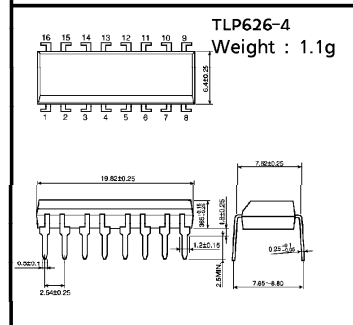
Unit in mm



JEDEC	—
EIAJ	—
TOSHIBA	11-5B2



JEDEC	—
EIAJ	—
TOSHIBA	11-10C4



JEDEC	—
EIAJ	—
TOSHIBA	11-20A3

© The information contained herein is presented only as a guide for the applications of our products. No responsibility is assumed by TOSHIBA CORPORATION for any infringements of intellectual property or other rights of the third parties which may result from its use. No license is granted by implication or otherwise under any intellectual property or other rights of TOSHIBA CORPORATION or others.
 © These TOSHIBA products are intended for use in general commercial applications (office equipment, communication equipment, measuring equipment, domestic appliances, etc.), please make sure that you consult with us before you use these TOSHIBA products in equipment which requires extraordinarily high quality and/or reliability, and in equipment which may involve life threatening or critical application, including but not limited to such uses as atomic energy control, airplane or spaceship instrumentation, traffic signals, medical instrumentation, combustion control, all types of safety devices, etc. TOSHIBA cannot accept and hereby disclaims liability for any damage which may occur in case the TOSHIBA products are used in such equipment or applications without prior consultation with TOSHIBA.

(TLP626)

MAXIMUM RATINGS (Ta = 25°C)

CHARACTERISTIC	SYMBOL	RATING		UNIT	
		TLP626	TLP626-2 TLP626-4		
LED	Forward Current	I _F	60	50	mA
	Forward Current Derating	ΔI _F / °C	-0.7 (Ta ≥ 39°C)	-0.5 (Ta ≥ 25°C)	mA / °C
	Pulse Forward Current	I _{FP}	1 (100μs pulse, 100pps)		A
	Power Dissipation (1 Circuit)	P _D	100	70	mW
	Power Dissipation Derating (Ta ≥ 25°C, 1 Circuit)	ΔP _D / °C	-1.0	-0.7	mW / °C
	Junction Temperature	T _j	125		°C
DETECTOR	Collector-Emitter Voltage	V _{CEO}	55		V
	Emitter-Collector Voltage	V _{ECO}	7		V
	Collector Current	I _C	50		mA
	Collector Power Dissipation (1 Circuit)	P _C	150	100	mW
	Collector Power Dissipation Derating (Ta ≥ 25°C, 1 Circuit)	ΔP _C / °C	-1.5	-1.0	mW / °C
	Junction Temperature	T _j	125		°C
Storage Temperature Range	T _{stg}	-55~150		°C	
Operating Temperature Range	P _{opr}	-55~100		°C	
Lead Soldering Temperature	T _{sol}	260 (10s)		°C	
Total Package Power Dissipation (1 Circuit)	P _T	250	150	mW	
Total Package Power Dissipation Derating (Ta ≥ 25°C, 1 Circuit)	ΔP _T / °C	-2.5	-1.5	mW / °C	
Isolation Voltage (Note 1)	BV _S	5000 (AC, 1min., RH ≤ 60%)		V _{rms}	

Note 1 : Device considered a two terminal : LED side pins shorted together, and DETECTOR side pins shorted together.

(TLP626)

INDIVIDUAL ELECTRICAL CHARACTERISTICS (Ta = 25°C)

CHARACTERISTIC		SYMBOL	TEST CONDITION	MIN.	TYP.	MAX.	UNIT
LED	Forward Voltage	V _F	I _F = ±10mA	1.0	1.15	1.3	V
	Reverse Current	I _F	V _F = ±0.7V	—	2.5	20	μA
	Capacitance	C _T	V = 0, f = 1MHz	—	60	—	pF
DETECTOR	Collector-Emitter Breakdown Voltage	V _{(BR)CEO}	I _C = 0.5mA	55	—	—	V
	Emitter-Collector Breakdown Voltage	V _{(BR)ECO}	I _E = 0.1mA	7	—	—	V
	Collector Dark Current	I _{CEO}	V _{CE} = 24V	—	10	100	nA
			V _{CE} = 24V, Ta = 85°C	—	2	50	μA
Capacitance Collector to Emitter	C _{CE}	V = 0, f = 1MHz	—	12	—	pF	

COUPLED ELECTRICAL CHARACTERISTICS (Ta = 25°C)

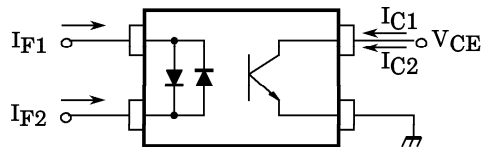
CHARACTERISTIC	SYMBOL	TEST CONDITION	MIN.	TYP.	MAX.	UNIT
Current Transfer Ratio	I _C / I _F	I _F = ±1mA, V _{CE} = 0.5V Rank BV	100	—	1200	%
			200	—	1200	
Low Input CTR	I _C / I _F (low)	I _F = ±0.5mA, V _{CE} = 1.5V Rank BV	50	—	—	%
			100	—	—	
Collector-Emitter Saturation Voltage	V _{CE} (sat)	I _C = 0.5mA, I _F = ±1mA I _C = 1mA, I _F = ±1mA Rank BV	—	—	0.4	V
			—	0.2	—	
			—	—	0.4	
Off-State Collector Current	I _C (off)	V _F = ±0.7V, V _{CE} = 24V	—	1	10	μA
CTR Symmetry *1	I _C (ratio)	I _C (I _F = -1mA) / I _C (I _F = 1mA)	0.5	—	2	—

COUPLED ELECTRICAL CHARACTERISTICS (Ta = -25~75°C)

CHARACTERISTIC	SYMBOL	TEST CONDITION	MIN.	TYP.	MAX.	UNIT
Current Transfer Ratio	I _C / I _F	I _F = 1mA, V _{CE} = 0.5V Rank BV	50	—	—	%
			100	—	—	
Low Input CTR	I _C / I _F (low)	I _F = 0.5mA, V _{CE} = 1.5V Rank BV	—	50	—	%
			—	100	—	

*1

$$I_C \text{ (ratio)} = \frac{I_{C2} (I_F = I_{F2}, V_{CE} = 5V)}{I_{C1} (I_F = I_{F1}, V_{CE} = 5V)}$$



TLP626 - 3

1996 - 4 - 8

TOSHIBA CORPORATION

(TLP626)

ISOLATION CHARACTERISTICS (Ta = 25°C)

CHARACTERISTIC	SYMBOL	TEST CONDITION	MIN.	TYP.	MAX.	UNIT
Capacitance Input to Output	C _S	V _S =0, f=1MHz	—	0.8	—	pF
Isolation Resistance	R _S	V _S =500V	5×10 ¹⁰	10 ¹⁴	—	Ω
Isolation Voltage	BV _S	AC, 1 minute	5000	—	—	V _{rms}
		AC, 1 second, in oil	—	10000	—	
		DC, 1 minute, in oil	—	10000	—	V _{dc}

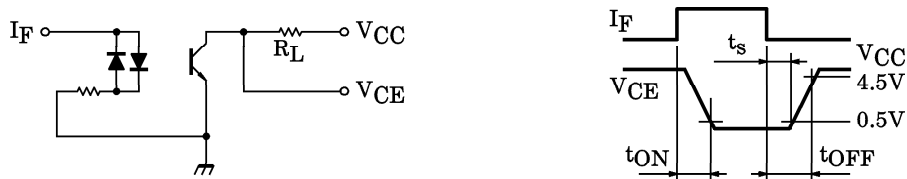
SWITCHING CHARACTERISTICS (Ta = 25°C)

CHARACTERISTIC	SYMBOL	TEST CONDITION	MIN.	TYP.	MAX.	UNIT
Rise Time	t _r	V _{CC} =10V, I _C =2mA R _L =100Ω	—	8	—	μs
Fall Time	t _f		—	8	—	
Turn-on Time	t _{on}		—	10	—	
Turn-off Time	t _{off}		—	8	—	
Turn-on Time	t _{ON}	R _L =4.7kΩ (Fig.1) V _{CC} =5V, I _F =±1.6mA	—	10	—	μs
Storage Time	t _s		—	50	—	
Turn-off Time	T _{OFF}		—	300	—	

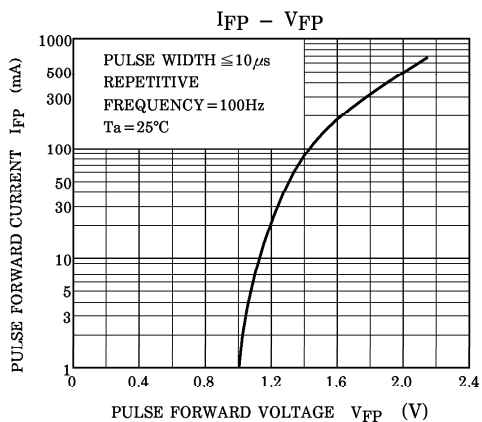
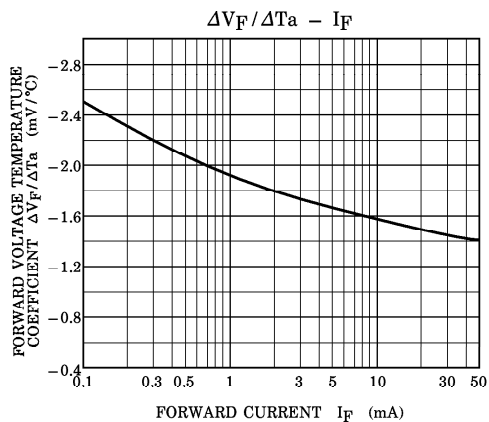
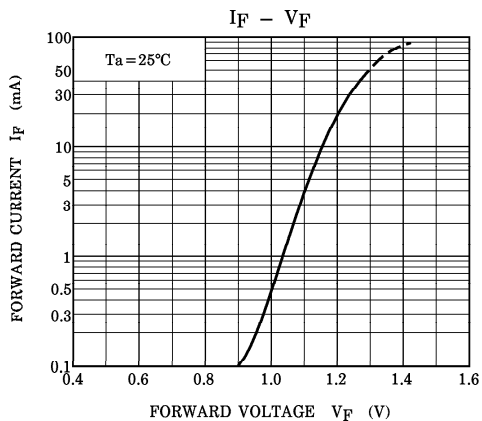
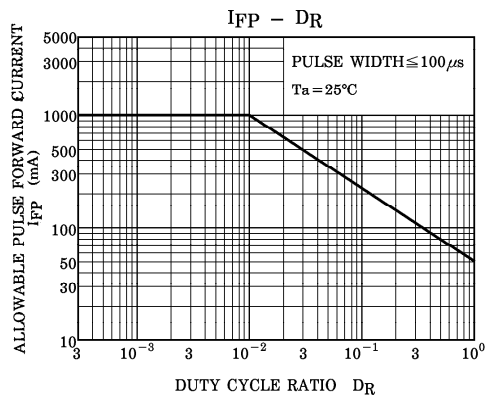
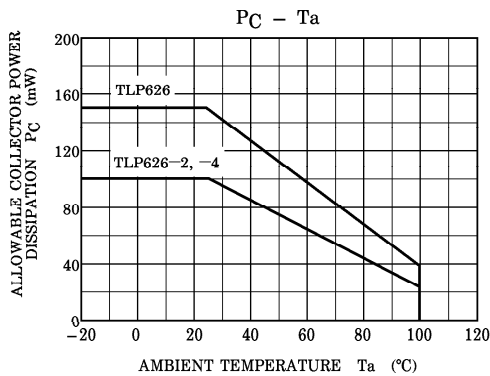
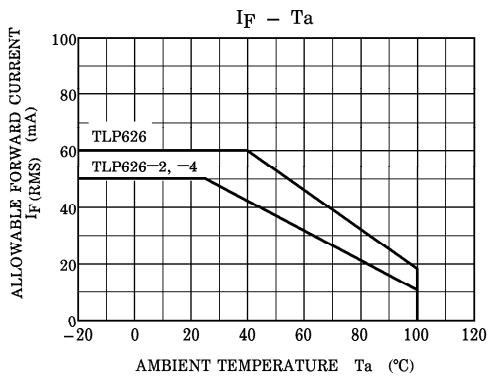
RECOMMENDED OPERATING CONDITIONS

CHARACTERISTIC	SYMBOL	MIN.	TYP.	MAX.	UNIT
Supply Voltage	V _{CC}	—	5	24	V
Forward Current	I _F (RMS)	—	1.6	20	mA
Collector Current	I _C	—	1	10	mA
Operating Temperature	T _{opr}	-25	—	75	°C

Fig. 1 SWITCHING OPERATING CONDITIONS

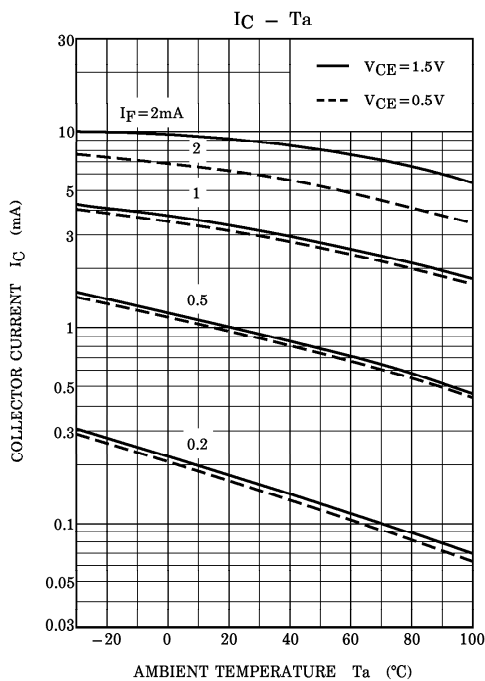
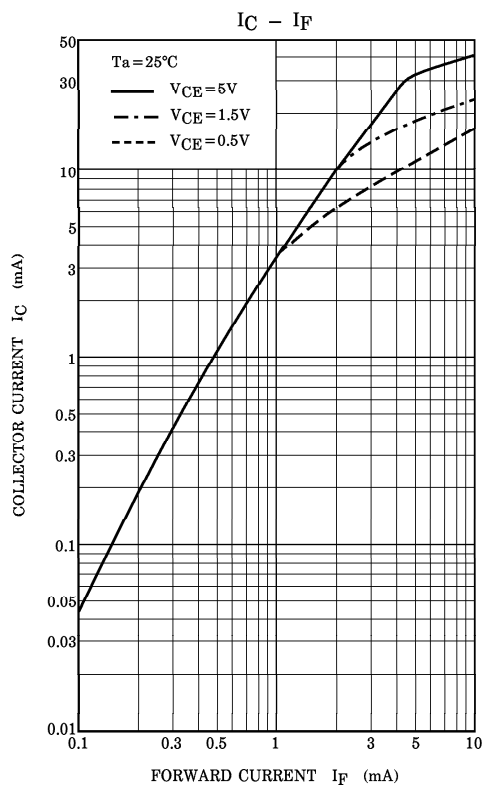
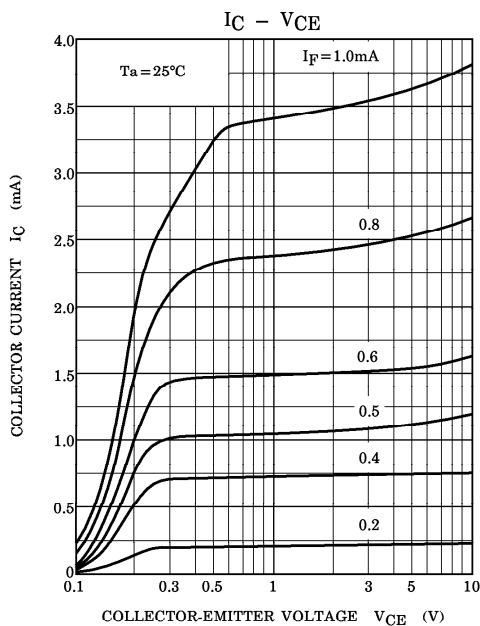
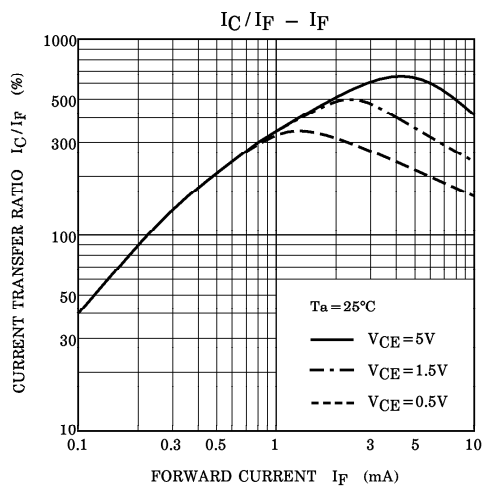


(TLP626)

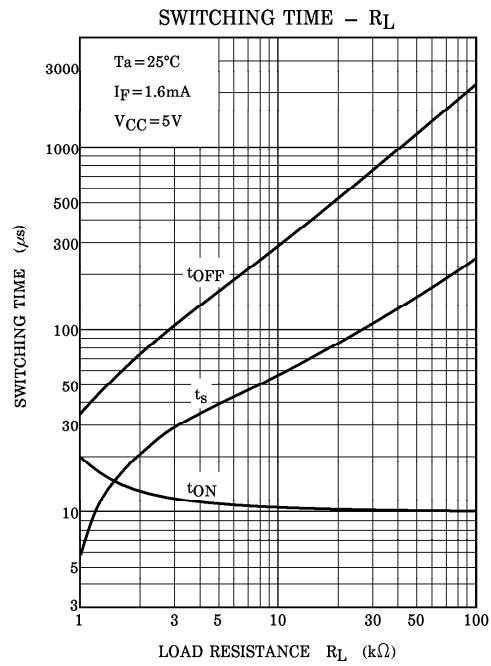
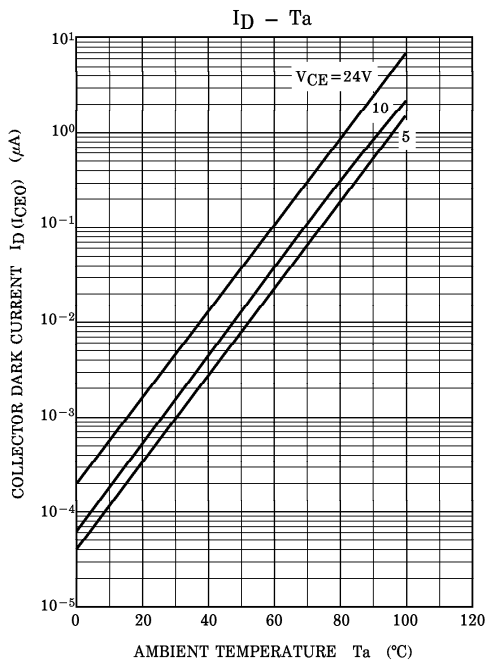


TLP626 - 5
 1996 - 4 - 8
TOSHIBA CORPORATION

(TLP626)



(TLP626)



TLP626 - 7*

1996 - 4 - 8

TOSHIBA CORPORATION