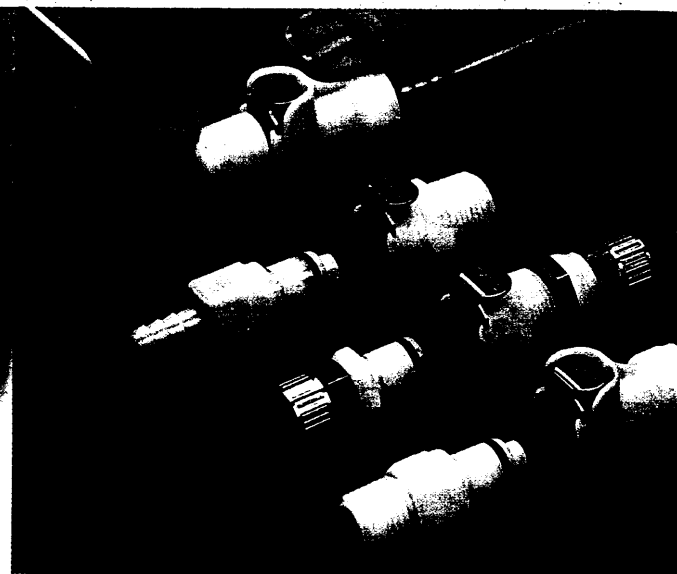


CPC

THERMOPLASTIC QUICK COUPLINGS

Delrin/Acetal



PLC Series Features:

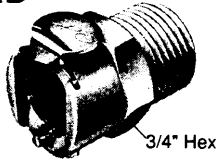
- Straight thru, single end or double end shutoff
- Small package size
- Leak free O-Ring seal
- Special configurations quoted, including NSF C-2 listed versions

Applications:

- Water and air supply lines
- Potable water
- Cooling lines
- Mild chemical handling
- Beverage dispensing



**Coupling Bodies 1/4" Flow
PIPE THREAD**



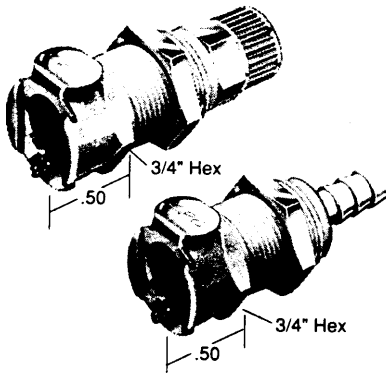
MALE THREAD

1/4" NPT	7196830	k
3/8" NPT		
1/4" BSPT	7196829	x
3/8" BSPT		

STRAIGHT THRU

PLC 100-04	SHUTOFF	PLCD 100-04	LENGTH
PLC 100-06		PLCD 100-06	1.15"
PLC 100-04 BSPT		PLCD 100-04 BSPT	1.15"
PLC 100-06 BSPT		PLCD 100-06 BSPT	1.15"

PANEL MOUNT*



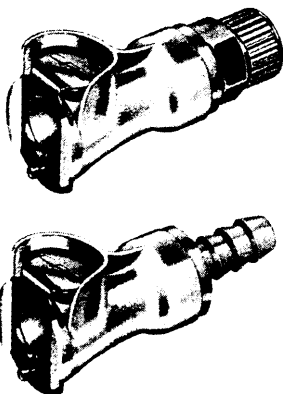
Ferrules Polytube Fitting†, PTF

TUBING SIZE	METRIC EQ	STRAIGHT THRU	SHUTOFF	LENGTH
1/4" OD .170" ID	6 x 4.3 mm	PLC 120-04	PLCD 120-04	1.83"
— —	8 x 6 mm	PLC 120-M8	PLCD 120-M8	1.95"
3/8" OD .250" ID	9.5 x 6 mm	PLC 120-06	PLCD 120-06	1.95"
— —	10 x 8 mm	PLC 120-M10	PLCD 120-M10	1.95"

Hose Barb

1/4" ID	6.4 mm ID	PLC 160-04	PLCD 160-04	1.95"	7196842 *
5/16" ID	7.9 mm ID	PLC 160-05	PLCD 160-05	1.95"	
3/8" ID	9.5 mm ID	PLC 160-06	PLCD 160-06	1.95"	7196854 *

in LINE, New Streamline Design



Lower Price!

Ferrules Polytube Fitting†, PTF

TUBING SIZE	METRIC EQ	STRAIGHT THRU	SHUTOFF	LENGTH
1/4" OD .170" ID	6 x 4.3 mm	PLC 130-04	PLCD 130-04	1.82"
— —	8 x 6 mm	PLC 130-M8	PLCD 130-M8	1.95"
3/8" OD .250" ID	9.5 x 6 mm	PLC 130-06	PLCD 130-06	1.95"
— —	10 x 8 mm	PLC 130-M10	PLCD 130-M10	1.95"

Hose Barb

1/4" ID	6.4 mm ID	PLC 170-04	PLCD 170-04	1.95"	* 7196866
5/16" ID	7.9 mm ID	PLC 170-05	PLCD 170-05	1.95"	
3/8" ID	9.5 mm ID	PLC 170-06	PLCD 170-06	1.95"	* 7196878

* Panel Opening = 11/16" Diameter
Maximum Panel Thickness = 1/2"
Minimum Panel Thickness = .020"
Panel Nuts = 13/16" Hex

† PTF fittings are designed for semi-rigid tubing, i.e. polyethylene, nylon etc. and polyurethane tubing, see page 3.