

**PLEASE CHECK WWW.MOLEX.COM FOR LATEST PART INFORMATION**

**Part Number:** **0476591000**  
**Status:** **Active**  
**Overview:** high definition multimedia interface hdmi  
**Description:** 0.50mm (.020") Pitch HDMI\* Receptacle, Vertical, Mounted Height 8.5mm (.335"), SMT, 0.76µm (30µ") Gold (Au) Plating, with Cap, 19 Circuits, Tape on Reel Packaging, Lead free

**Documents:**

[3D Model](#) [Product Specification PS-47152-001 \(PDF\)](#)  
[Drawing \(PDF\)](#) [RoHS Certificate of Compliance \(PDF\)](#)

**General**

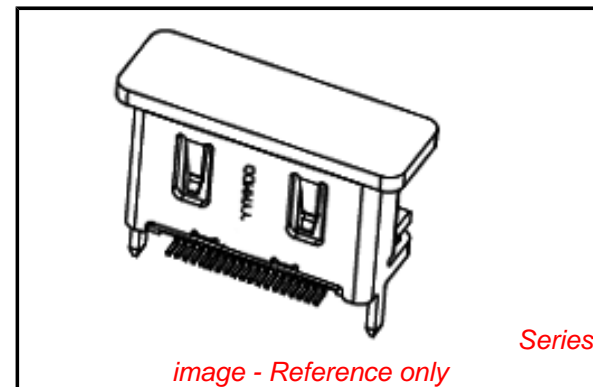
Product Family	I/O Connectors
Series	47659
Application	Wire-to-Board
Component Type	Receptacle
Overview	high definition multimedia interface hdmi
Product Name	HDMI
Type	N/A

**Physical**

Boot Color	N/A
Circuits (Loaded)	19
Circuits (maximum)	19
Color - Resin	Black
Gender	Male
Keying to Mating Part	Yes
Lock to Mating Part	Yes
Material - Metal	Copper Alloy
Material - Plating Mating	Gold
Material - Plating Termination	Tin
Material - Resin	High Temperature Thermoplastic
Number of Rows	2
Orientation	Vertical
PCB Locator	Yes
PCB Retention	Yes
Packaging Type	Embossed Tape on Reel
Panel Mount	Without Flange
Pitch - Mating Interface (in)	0.020 In
Pitch - Mating Interface (mm)	0.50 mm
Pitch - Term. Interface (in)	0.020 In
Pitch - Term. Interface (mm)	0.50 mm
Plating min: Mating (µin)	30
Plating min: Mating (µm)	0.76
Plating min: Termination (µin)	39
Plating min: Termination (µm)	1
Polarized to Mating Part	Yes
Polarized to PCB	Yes
Ports	1
Temperature Range - Operating	-20°C to +85°C
Termination Interface: Style	Surface Mount
Waterproof / Dustproof	No
Wire Size AWG	N/A

**Electrical**

Current - Maximum per Contact	0.5A
-------------------------------	------



*image - Reference only*

**EU RoHS**

**ELV and RoHS  
Compliant**  
**REACH SVHC**  
 Not Reviewed  
**Halogen-Free  
Status**

**China RoHS**



**Need more information on product  
environmental compliance?**

Email [productcompliance@molex.com](mailto:productcompliance@molex.com)  
 For a multiple part number RoHS Certificate of Compliance, [click here](#)

Please visit the [Contact Us](#) section for any non-product compliance questions.

**Search Parts in this Series**

47659Series

Shielded	Yes
Voltage - Maximum	40V DC

### **Material Info**

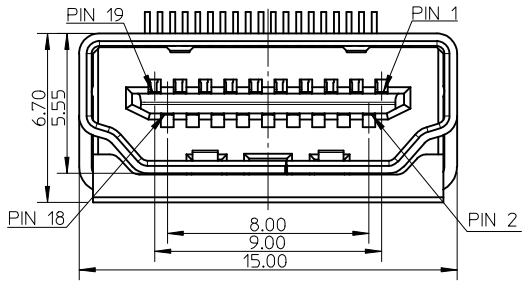
### **Reference - Drawing Numbers**

Packaging Specification	PK-47659-001
Product Specification	PS-47152-001
Sales Drawing	SD-47659-100

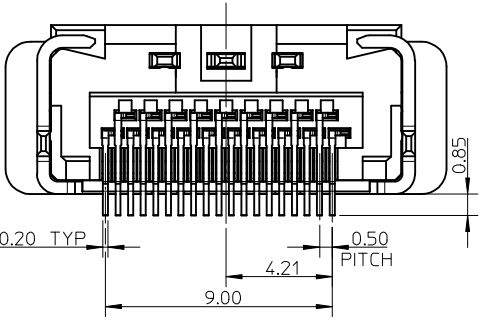
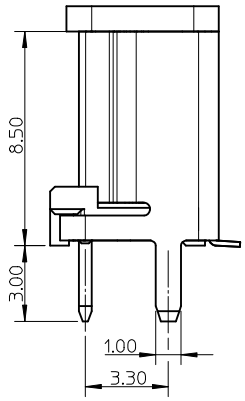
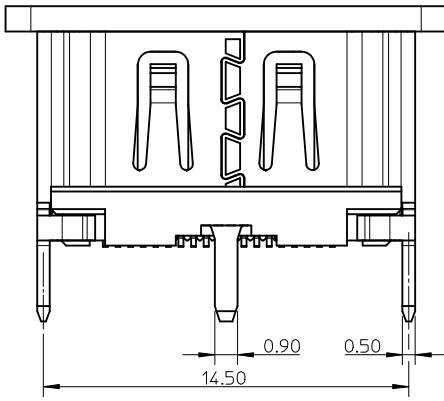
\* High Definition Multimedia Interface and HDMI are trademarks of HDMI Licensing, LLC.

This document was generated on 05/19/2010

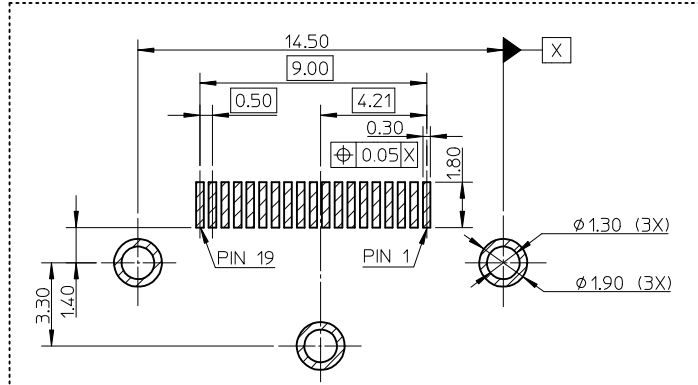
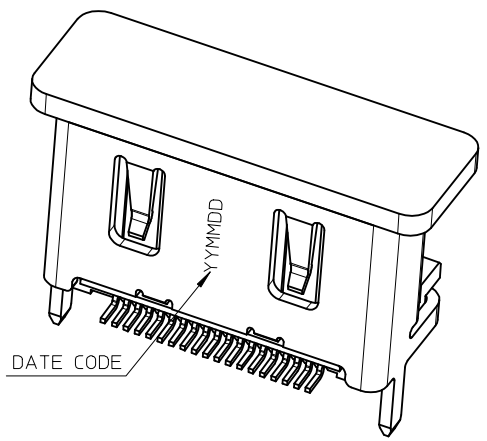
**PLEASE CHECK [WWW.MOLEX.COM](http://WWW.MOLEX.COM) FOR LATEST PART INFORMATION**



TOP VIEW WITHOUT CAP



- NOTES:
- MATERIAL:  
HOUSING: HIGH TEMPERATURE THERMAL PLASTIC, COLOR: BLACK;  
SHELL: COPPER ALLOY;  
TERMINAL: COPPER ALLOY.
  - PLATING:  
TERMINAL:  
CONTACT AREA: SEE TABLE;  
SOLDER AREA: 1 MICROMETER MIN. TIN-BISMUTH ALLOY PLATED;  
UNDER PLATE: 1.27 MICROMETER MIN. NICKEL;  
SHELL: 1 MICROMETER MIN. SOLDERABLE NICKEL PLATING OVERALL.
  - COPLANARITY: 0.10mm MAX.
  - PRODUCT SPECIFICATION REFER TO PS-47152-001.
  - PACKAGE SPECIFICATION REFER TO PK-47659-001.
  - PRODUCT COMPLIANT TO RoHS DIRECTIVE 2002/95/EC AND ELV DIRECTIVE 2000/53/EC.



RECOMMENDED PCB LAYOUT  
CONNECTOR SIDE  
THICKNESS=1.60mm  
(GENERAL TOLERANCE: ±0.05)

47659-1002	GOLD FLASH
47659-1001	0.38 MICROMETER MIN GOLD PLATING
47659-1000	0.76 MICROMETER MIN GOLD PLATING
P/N	CONTACT AREA PLATING

<b>NEW RELEASE</b> EC NO: SHZ009-0633 DRWN:XZHZHANG 2009/04/16 CHKD:XJSONG 2009/04/17 APPR:HWANG 2009/04/27	QUALITY SYMBOLS	GENERAL TOLERANCES (UNLESS SPECIFIED)	DIMENSION STYLE	SCALE	DESIGN UNITS	THIRD ANGLE PROJECTION															
	▼=0 ◻=0	<table border="1"> <thead> <tr> <th></th> <th>mm</th> <th>INCH</th> </tr> </thead> <tbody> <tr> <td>4 PLACES</td> <td>± ---</td> <td>± ---</td> </tr> <tr> <td>3 PLACES</td> <td>± ---</td> <td>± ---</td> </tr> <tr> <td>2 PLACES</td> <td>± 0.20</td> <td>± ---</td> </tr> <tr> <td>1 PLACE</td> <td>± 0.30</td> <td>± ---</td> </tr> </tbody> </table> ANGULAR ±1/2°		mm	INCH	4 PLACES	± ---	± ---	3 PLACES	± ---	± ---	2 PLACES	± 0.20	± ---	1 PLACE	± 0.30	± ---	MM ONLY	1:1	METRIC	DRAWN BY: CWTANG DATE: 2008/09/03 CHECKED BY: XJSONG DATE: 2008/09/03 APPROVED BY: HARVEY DATE: 2008/09/03
		mm	INCH																		
	4 PLACES	± ---	± ---																		
3 PLACES	± ---	± ---																			
2 PLACES	± 0.20	± ---																			
1 PLACE	± 0.30	± ---																			
DRAFT WHERE APPLICABLE MUST REMAIN WITHIN DIMENSIONS	SEE TABLE	TITLE	HDMI RECEPTACLE VERTICAL SMT TYPE WITH HEIGHT 8.5																		
A	REV	SIZE	MATERIAL NO.	DOCUMENT NO.	SHEET NO.																
		A3	SD-47659-100	SD-47659-100	1 OF 1																