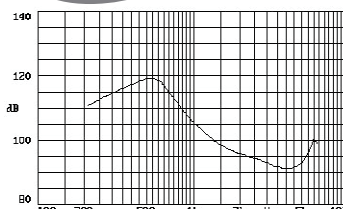
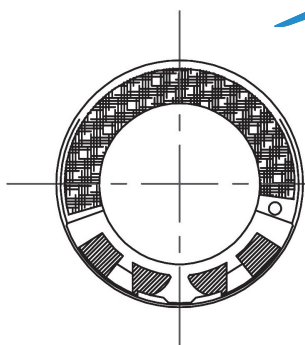
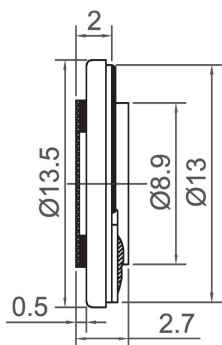
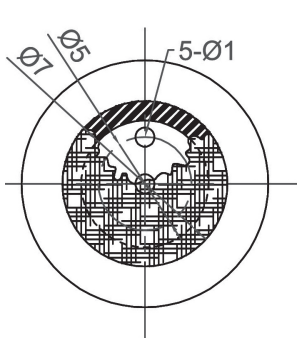
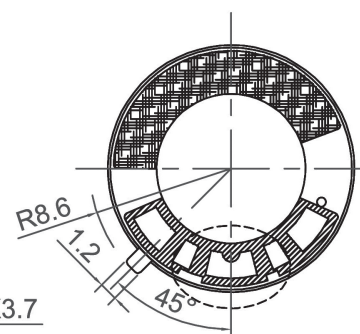
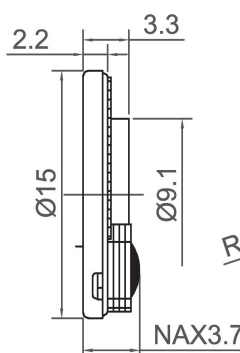
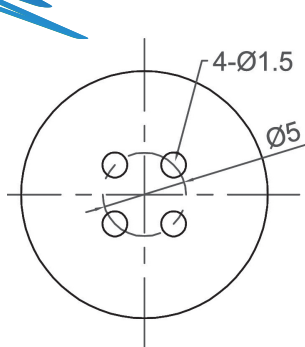
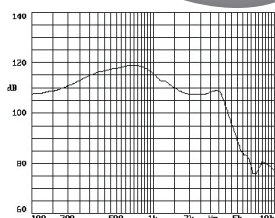


Dynamic Receiver (Hearing Aid)

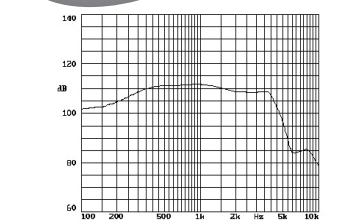
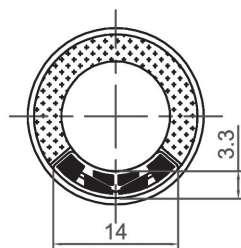
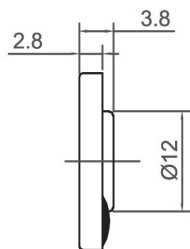
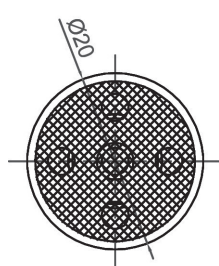


Canopus Part no.	Sensitivity At 1KHz (dB)	AC Impedance At 1KHz (Ω)	Input At 1Khz	Terminal	Housing	Weight (g)	HAC Compatible
CHDR1303D104AZ	104 \pm 3	32 \pm 10%	240m	Solder Pad	Metal	1	YES

CANOPUS



Canopus Part no.	Sensitivity At 1KHz (dB)	AC Impedance At 1KHz (Ω)	Input At 1Khz	Terminal	Housing	Weight (g)	HAC Compatible
CHDR1503D114AZ	114 \pm 3	32 \pm 15%	350mV	Solder Pad	Metal	1.4	YES



Canopus Part no.	Sensitivity At 1KHz (dB)	AC Impedance At 1KHz (Ω)	Input At 1Khz	Terminal	Housing	Weight (g)	HAC Compatible
CHDR2004G088BZ	88 \pm 3	150 \pm 20%	60mV	Solder Pad	ABS	3	YES
CHDR2004G093BW	93 \pm 3	150 \pm 20%	60mV	Leadwire	ABS	8	YES
CHDR2004G110BZ	110 \pm 3	150 \pm 20%	500mV	Solder Pad	ABS	2.4	YES

Your Efficient Supplier
www.canopus.com.hk

TEL.: (852) 2806 2812

Fax: (852) 2652 2216