

VSC7132-01

VITESSE

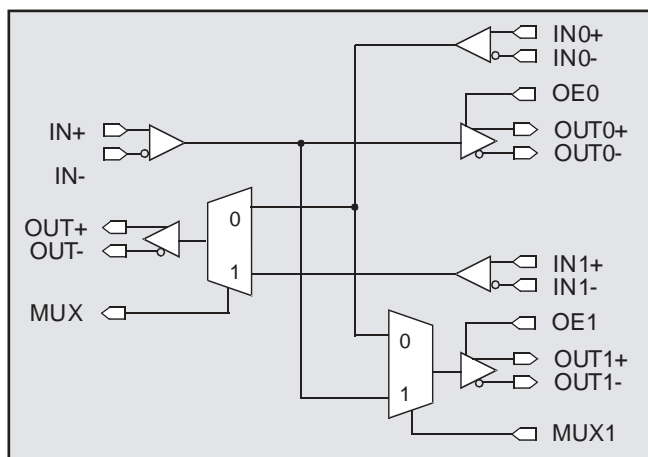
VSC7132-01: Link Replicator for Fibre Channel, Gigabit Ethernet and HDTV



APPLICATIONS:

- (Link Replicator for:
 - Fibre Channel
 - Gigabit Ethernet
 - HDTV
- (For Line Cards to Provide Redundant, Hot-Swappable Links to Redundant Switch Fabric Cards
- (For Host Bus Adapter Boards for Routing Between Internal and External Connectors

VSC7132-01 BLOCK DIAGRAM:



FEATURES:

- (Replicates Fibre Channel, Gigabit Ethernet, and HDTV Links
- (T11 Fibre Channel Compliant at 1.0625 Gb/s
- (IEEE802.3z Gigabit Ethernet Compliant at 1.25 Gb/s
- (SMPTE-292M Compliant at 1.485 Gb/s
- (No External Components Required

SPECIFICATIONS:

- (0.435W Maximum Power Dissipation
- (3.3V Power Supply
- (28-pin, 4.4mm x 9.7mm TSSOP Package

VSC7132-01

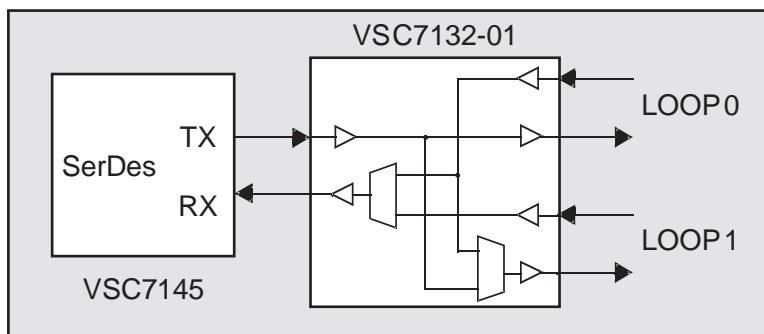
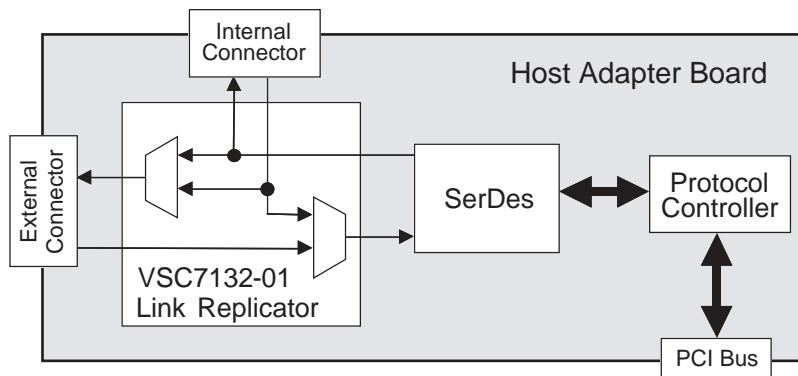
VSC7132-01: Link Replicator for Fibre Channel, Gigabit Ethernet and HDTV

GENERAL DESCRIPTION:



The VSC7132-01 is a high performance serial Link Replicator for applications in Fibre Channel, Gigabit Ethernet, and HDTV. A serializer/deserializer (SerDes), such as the VSC7145, would normally be connected to the IN/OUT ports in order to provide duplicate links on the IN/OUT ports of the VSC7132-01. A popular application is for Line Cards using serial links from a SerDes or Serial Backplane IC (VSC7226) where the VSC7132-01 provides redundant, hot-swappable links to redundant Switch Fabric Cards. Another common application is in a Host Adapter Board that may require an internal and an external connector where the VSC7132-01 steers serial data between the SerDes and the two connectors.

VSC7132-01 APPLICATION DIAGRAMS:



For more information on Vitesse Products visit the Vitesse web site at www.vitesse.com or contact Vitesse Sales at (800) VITESSE or sales@vitesse.com

VITESSE

741 Calle Plano
Camarillo, CA 93012, USA
Tel: +1 805.388.3700
Fax: +1 805.987.5896
www.vitesse.com