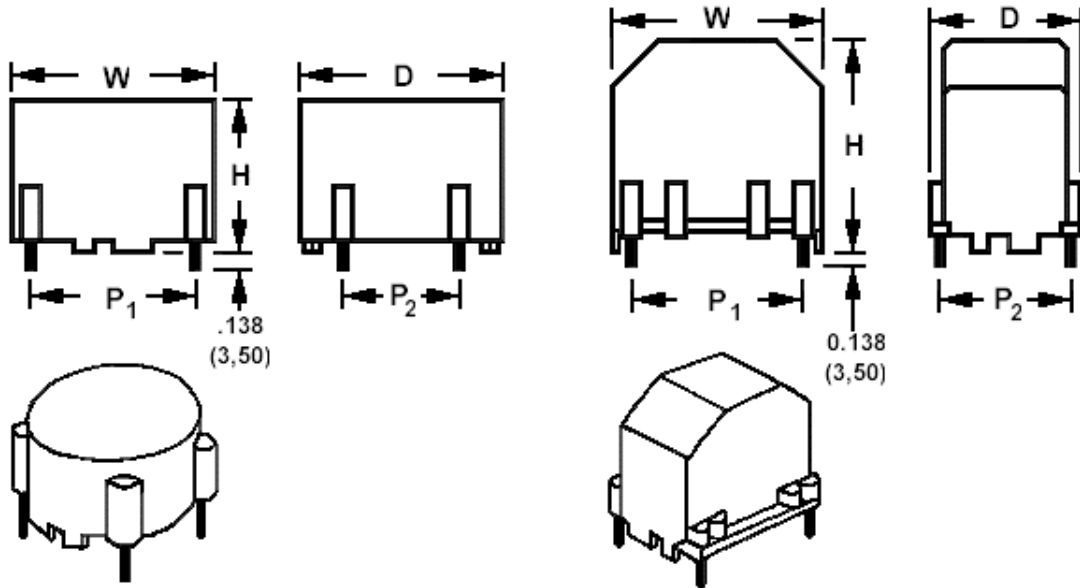


555-8001 Common mode chokes, horizontal and vertical mount, 1.0mH thru 56mH



DIMENSIONS										
	HORIZONTAL CASE					VERTICAL CASE				
	W	D	H	P ₁	P ₂	W	D	H	P ₁	P ₂
Case 1	.689 (17,50)	.669 (17,00)	.492 (12,00)	.591 (15,00)	.394 (10,00)	.315 (8,00)	.492 (12,50)	.788 (20,00)	.591 (15,00)	.394 (10,00)
Case 2	.886 (22,50)	.866 (22,00)	.591 (15,00)	.787 (20,00)	.492 (12,50)	.906 (23,00)	.610 (15,50)	.984 (25,00)	.394 (10,00)	.492 (12,50)
Case 3	1.083 (27,50)	1.063 (27,00)	.689 (17,50)	.984 (25,00)	.591 (15,00)	1.063 (27,00)	.709 (18,00)	1.181 (30,00)	.492 (12,50)	.591 (15,00)
Case 4	1.280 (32,50)	1.260 (32,00)	.787 (20,00)	1.181 (30,00)	.787 (20,00)	1.260 (32,00)	.709 (18,00)	1.378 (35,00)	.492 (12,50)	.787 (20,00)

How to order code

555-8001-XX-YY-ZZ

Basic Part No XX = Inductance identifier, YY = case size, ZZ = case style

ELECTRICAL SPECIFICATION				
Case Size (YY)	Identifier (XX)	L (mH)	I (max) (A)	Typical W per winding
Case 1 (-01)	-01	1.0	2.0	0.05
	-07	3.3	1.5	0.09
	-11	6.8	1.0	0.20
	-13	10	0.7	0.39
	-15	15	0.6	0.57
	-18	27	0.5	0.78
	-20	39	0.4	1.20
Case 2 (-02)	-21	47	0.3	1.30
	-02	1.2	3.0	0.04
	-07	3.3	2.2	0.08
	-11	6.8	1.5	0.14
	-13	10	1.2	0.21
	-15	15	1.0	0.32

ELECTRICAL SPECIFICATION				
Case Size (YY)	Identifier (XX)	L (mH)	I (max) (A)	Typical W per winding
Case 2 (-02)	-18	27	0.8	0.43
	-20	39	0.5	0.84
	-21	47	0.5	0.91
Case 3 (-03)	-07	3.3	4.0	0.06
	-11	6.8	2.0	0.11
	-13	10	1.6	0.17
	-15	15	1.2	0.27
	-18	27	1.0	0.45
	-20	39	0.6	0.85
	-21	47	0.5	0.94
	-22	56	0.5	1.03
Case 4 (-04)	-07	3.3	4.0	0.06
	-11	6.8	2.0	0.13
	-13	10	2.0	0.16
	-15	15	1.8	0.20
	-18	27	1.4	0.32
	-20	39	0.8	0.62
	-21	47	0.8	0.67
	-22	56	0.6	1.18

Other electrical specifications to order - Consult factory

CASE STYLE (ZZ)	
-01	Vertical
-02	Horizontal

ADDITIONAL SPECIFICATIONS	
Inductance Tolerance	+50%, -30%
Case Material	Nylon, Glass Filled
Temperature Range	-25°C to +105°C