

[Document Title](#)

**256K x16 bit Low Power and Low Voltage Full CMOS Static RAM**

[Revision History](#)

<b>Revision No.</b>	<b>History</b>	<b>Draft Date</b>	<b>Remark</b>
0.0	Initial Draft	August 13 , 2003	

www.DataSheet4U.com

**Emerging Memory & Logic Solutions Inc.**

4F Korea Construction Financial Cooperative B/D, 301-1 Yeon-Dong, Jeju-Si, Jeju-Do, Rep.of Korea Zip Code : 690-719  
Tel : +82-64-740-1712 Fax : +82-64-740-1749~1750 / Homepage : www.emlsi.com

---

The attached data sheets are provided by EMLSI reserve the right to change the specifications and products. EMLSI will answer to your questions about device. If you have any questions, please contact the EMLSI office.

**256K x16 Bit Low Power and Low Voltage CMOS Static RAM**

**FEATURES**

- Process Technology : 0.18 $\mu$ m Full CMOS
- Organization :256K x16
- Power Supply Voltage  
=> EM640FV16FW : 2.7~3.6V
- Three state output and TTL Compatible
- Packaged product designed for 55/70ns

www.DataSheet4U.com

**GENERAL PHYSICAL SPECIFICATIONS**

- Backside die surface of polished bare silicon
- Typical Die Thickness = 725 $\mu$ m
- Typical top-level metalization :  
=> Metal ( Ti/TiN/Al-Cu 0.5% ) : 5.7K Angstroms thickness
- Topside Passivation :  
=> 7K Angstroms PE-SiN
- Typical Pad Size : 90.0 $\mu$ m x 80.0 $\mu$ m
- Wafer diameter : 8 inch

**OPTIONS**

- C1/W1 : DC Probed Die/Wafer @ Hot Temp
- C2/W2 : DC/AC Probed Die/Wafer @ Hot Temp

**PAD DESCRIPTIONS**

Name	Function	Name	Function
$\overline{CS1}$ , CS2	Chip select inputs	Vcc	Power Supply
$\overline{OE}$	Output Enable input	Vss	Ground
$\overline{WE}$	Write Enable input	$\overline{UB}$	Upper Byte (I/O <sub>9-16</sub> )
A0~A17	Address Inputs	$\overline{LB}$	Lower Byte (I/O <sub>1-8</sub> )
I/O1~I/O16	Data Inputs/Output	*NC	No Connection

## FUNCTIONAL SPECIFICATIONS

There are 3 classifications for EMLSI die and wafers products, which are C1 and C2 for die and W1 and W2 for wafer, respectively. Each die and wafer support dedicated characteristics and probe the electrical parameters within their specifications. Followings are brief information for die and wafer classifications. Please refer to packaged specifications for more information but these parameters are not guaranteed at bare die and wafer.

### – C1 LEVEL DIE OR W1 LEVEL WAFER

The DC parameters are measured by specification for C1 level die or W1 level wafer. The DC parameters measured at 70°C temperature, which called 'Hot DC Sorting' Other parameters are not guaranteed and warranted including device reliability. Please refer to qualification report for device reliability and package level datasheets for electrical parameters.

### – C2 LEVEL DIE OR W2 LEVEL WAFER

The DC parameters and selected AC parameters are measured with for C2 level die or W2 level wafer. The DC characteristics of C2 die and W2 wafer is tested based on DC specifications of C1 level die and W1 level wafer. The DC and specified AC parameters are tested at 70°C temperature, which called 'Hot DC & Selective AC Sorting'. Other parameters are not guaranteed and warranted including device reliability. Please refer to qualification report for device reliability and package level datasheets for electrical parameters.

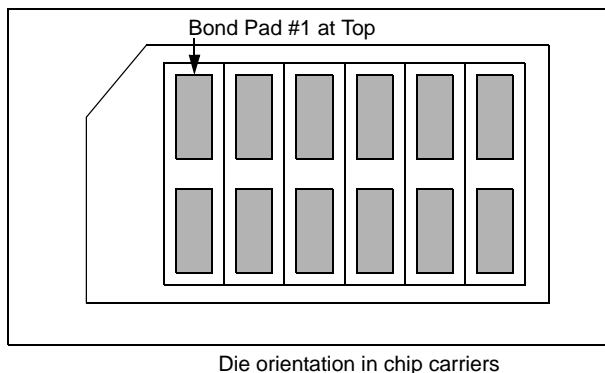
C2 level die and W2 level wafer probe following AC parameter.

- tRC, tAA, tCO
- tWC, tCW

## PACKAGING

Individual device will be packed in anti-static trays.

- Chip Trays : A 2-inch square waffle style carrier for die with separate compartments for each die. Commonly referred to as a waffle pack, each tray has a cavity size selected for the device that allows for easy loading and unloading and prevents rotation. The tray itself is made of conductive material to reduce the danger of damage to the die from electrostatic discharge. The chip carriers will be labeled with the following information :
  - EMLSI wafer lot number
  - EMLSI part number
  - Quantity
- Jar Packing : Jar packing is made by EMLSI and used by many customers that we deliver the requested die as wafer. The pack is consisted of clean paper to wrap the wafer, high cushioned sponge between wafers and hardly fragile plastic box with sponge. Each pack has typically 25 wafers and then several packs are put into larger box depending on amounts of wafers.



## STORAGE AND HANDLING

EMLSI recommends the die stored in a controlled environment with filtered nitrogen. The carrier must be opened at ESD safe environment when inspection and assembly.

### ABSOLUTE MAXIMUM RATINGS \*

Parameter	Symbol	Ratings	Unit
Voltage on Any Pin Relative to Vss	$V_{IN}, V_{OUT}$	-0.2 to $V_{CC}+0.3$ (Max.4.0V)	V
Voltage on Vcc supply relative to Vss	$V_{CC}$	-0.2 to 4.0V	V
Power Dissipation	$P_D$	1.0	W
Operating Temperature	$T_A$	-40 to 85	°C

\* Stresses greater than those listed under "Absolute Maximum Ratings" may cause permanent damage to the device. Functional operation should be restricted to recommended operating condition. Exposure to absolute maximum rating conditions for extended periods may affect reliability.

### FUNCTIONAL DESCRIPTION

$\overline{CS}_1$	$CS_2$	$\overline{OE}$	$\overline{WE}$	$\overline{LB}$	$\overline{UB}$	I/O <sub>1-8</sub>	I/O <sub>9-16</sub>	Mode	Power
H	X	X	X	X	X	High-Z	High-Z	Deselected	Stand by
X	L	X	X	X	X	High-Z	High-Z	Deselected	Stand by
X	X	X	X	H	H	High-Z	High-Z	Deselected	Stand by
L	H	H	H	L	X	High-Z	High-Z	Output Disabled	Active
L	H	H	H	X	L	High-Z	High-Z	Output Disabled	Active
L	H	L	H	L	H	Data Out	High-Z	Lower Byte Read	Active
L	H	L	H	H	L	High-Z	Data Out	Upper Byte Read	Active
L	H	L	H	L	L	Data Out	Data Out	Word Read	Active
L	H	X	L	L	H	Data In	High-Z	Lower Byte Write	Active
L	H	X	L	H	L	High-Z	Data In	Upper Byte Write	Active
L	H	X	L	L	L	Data In	Data In	Word Write	Active

Note: X means don't care. (Must be low or high state)

**RECOMMENDED DC OPERATING CONDITIONS** <sup>1)</sup>

Parameter	Symbol	Min	Typ	Max	Unit
Supply voltage	$V_{CC}$	2.7	3.3	3.6	V
Ground	$V_{SS}$	0	0	0	V
Input high voltage	$V_{IH}$	2.2	-	$V_{CC} + 0.2^{2)}$	V
Input low voltage	$V_{IL}$	-0.2 <sup>3)</sup>	-	0.6	V

www.DataSheet4U.com

1.  $T_A = -40$  to  $85^\circ\text{C}$ , otherwise specified
2. Overshoot:  $V_{CC} + 2.0$  V in case of pulse width  $\leq 20$ ns
3. Undershoot:  $-2.0$  V in case of pulse width  $\leq 20$ ns
4. Overshoot and undershoot are sampled, not 100% tested.

**CAPACITANCE** <sup>1)</sup> ( $f = 1\text{MHz}$ ,  $T_A = 25^\circ\text{C}$ )

Item	Symbol	Test Condition	Min	Max	Unit
Input capacitance	$C_{IN}$	$V_{IN} = 0\text{V}$	-	8	pF
Input/Output capacitance	$C_{IO}$	$V_{IO} = 0\text{V}$	-	10	pF

1. Capacitance is sampled, not 100% tested

**DC AND OPERATING CHARACTERISTICS**

Parameter	Symbol	Test Conditions	Min	Typ	Max	Unit	
Input leakage current	$I_{LI}$	$V_{IN} = V_{SS}$ to $V_{CC}$	-1	-	1	$\mu\text{A}$	
Output leakage current	$I_{LO}$	$\overline{CS}_1 = V_{IH}$ or $CS_2 = V_{IL}$ or $\overline{OE} = V_{IH}$ or $\overline{WE} = V_{IL}$ or $\overline{LB} = \overline{UB} = V_{IH}$ $V_{IO} = V_{SS}$ to $V_{CC}$	-1	-	1	$\mu\text{A}$	
Operating power supply	$I_{CC}$	$I_{IO} = 0\text{mA}$ , $\overline{CS}_1 = V_{IL}$ , $CS_2 = \overline{WE} = V_{IH}$ , $V_{IN} = V_{IH}$ or $V_{IL}$	-	-	3	mA	
Average operating current	$I_{CC1}$	Cycle time = $1\mu\text{s}$ , 100% duty, $I_{IO} = 0\text{mA}$ , $\overline{CS}_1 \leq 0.2\text{V}$ , $\overline{LB} \leq 0.2\text{V}$ or/and $\overline{UB} \leq 0.2\text{V}$ , $CS_2 \geq V_{CC} - 0.2\text{V}$ , $V_{IN} \leq 0.2\text{V}$ or $V_{IN} \geq V_{CC} - 0.2\text{V}$	-	-	3	mA	
	$I_{CC2}$	Cycle time = Min, $I_{IO} = 0\text{mA}$ , 100% duty, $\overline{CS}_1 = V_{IL}$ , $CS_2 = V_{IH}$ , $\overline{LB} = V_{IL}$ or/and $\overline{UB} = V_{IL}$ , $V_{IN} = V_{IL}$ or $V_{IH}$	55ns 70ns	- -	- -	30 25	mA mA
Output low voltage	$V_{OL}$	$I_{OL} = 2.1\text{mA}$	-	-	0.4	V	
Output high voltage	$V_{OH}$	$I_{OH} = -1.0\text{mA}$	2.4	-	-	V	
Standby Current (TTL)	$I_{SB}$	$\overline{CS}_1 = V_{IH}$ , $CS_2 = V_{IL}$ , Other inputs = $V_{IH}$ or $V_{IL}$	-	-	0.3	mA	
Standby Current (CMOS)	$I_{SB1}$	$\overline{CS}_1 \geq V_{CC} - 0.2\text{V}$ , $CS_2 \geq V_{CC} - 0.2\text{V}$ ( $\overline{CS}_1$ controlled) or $0\text{V} \leq CS_2 \leq 0.2\text{V}$ ( $CS_2$ controlled), Other inputs = $0 - V_{CC}$ (Typ. condition : $V_{CC} = 3.3\text{V}$ @ $25^\circ\text{C}$ ) (Max. condition : $V_{CC} = 3.6\text{V}$ @ $85^\circ\text{C}$ )	LL	-	1 <sup>1)</sup>	12	$\mu\text{A}$

**NOTES**

1. Typical values are measured at  $V_{CC} = 3.3\text{V}$ ,  $T_A = 25^\circ\text{C}$  and not 100% tested.

### AC OPERATING CONDITIONS

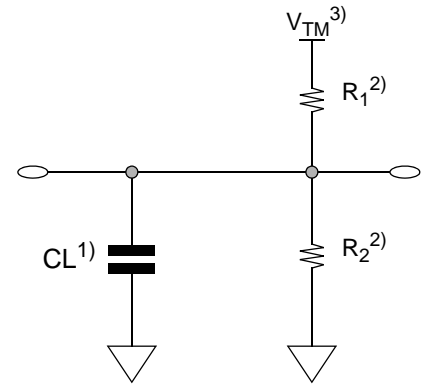
**Test Conditions** (Test Load and Test Input/Output Reference)

Input Pulse Level : 0.4 to 2.2V  
 Input Rise and Fall Time : 5ns  
 Input and Output reference Voltage : 1.5V  
 Output Load (See right) :  $CL = 100\text{pF} + 1 \text{ TTL}$   
 $CL^{(1)} = 30\text{pF} + 1 \text{ TTL}$

1. Including scope and Jig capacitance

2.  $R_1=3070 \text{ ohm}$ ,  $R_2=3150 \text{ ohm}$

3.  $V_{TM}=2.8\text{V}$



**READ CYCLE** ( $V_{CC}=2.7 \text{ to } 3.6\text{V}$ ,  $Gnd = 0\text{V}$ ,  $T_A = -40^\circ\text{C to } +85^\circ\text{C}$ )

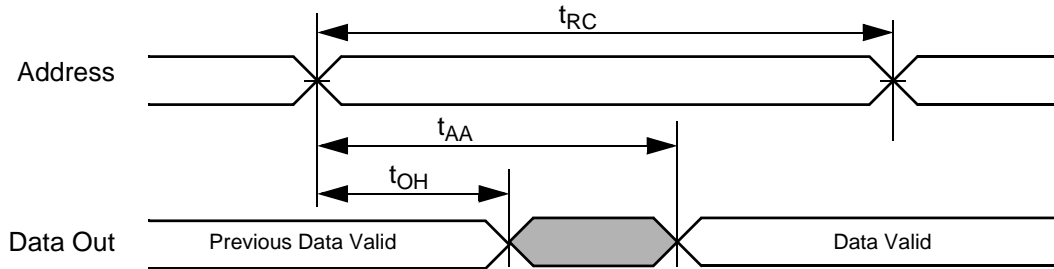
Parameter	Symbol	55ns		70ns		Unit
		Min	Max	Min	Max	
Read cycle time	$t_{RC}$	55	-	70	-	ns
Address access time	$t_{AA}$	-	55	-	70	ns
Chip select to output	$t_{co1}, t_{co2}$	-	55	-	70	ns
Output enable to valid output	$t_{OE}$	-	30	-	35	ns
$\overline{UB}, \overline{LB}$ access time	$t_{BA}$		55		70	ns
Chip select to low-Z output	$t_{LZ1}, t_{LZ2}$	10	-	10	-	ns
$\overline{UB}, \overline{LB}$ enable to low-Z output	$t_{BLZ}$	10	-	10	-	ns
Output enable to low-Z output	$t_{OLZ}$	5	-	5	-	ns
Chip disable to high-Z output	$t_{HZ1}, t_{HZ2}$	0	20	0	25	ns
$\overline{UB}, \overline{LB}$ disable to high-Z output	$t_{BHZ}$	0	20	0	25	ns
Output disable to high-Z output	$t_{OHZ}$	0	20	0	25	ns
Output hold from address change	$t_{OH}$	10	-	10	-	ns

**WRITE CYCLE** ( $V_{CC}=2.7 \text{ to } 3.6\text{V}$ ,  $Gnd = 0\text{V}$ ,  $T_A = -40^\circ\text{C to } +85^\circ\text{C}$ )

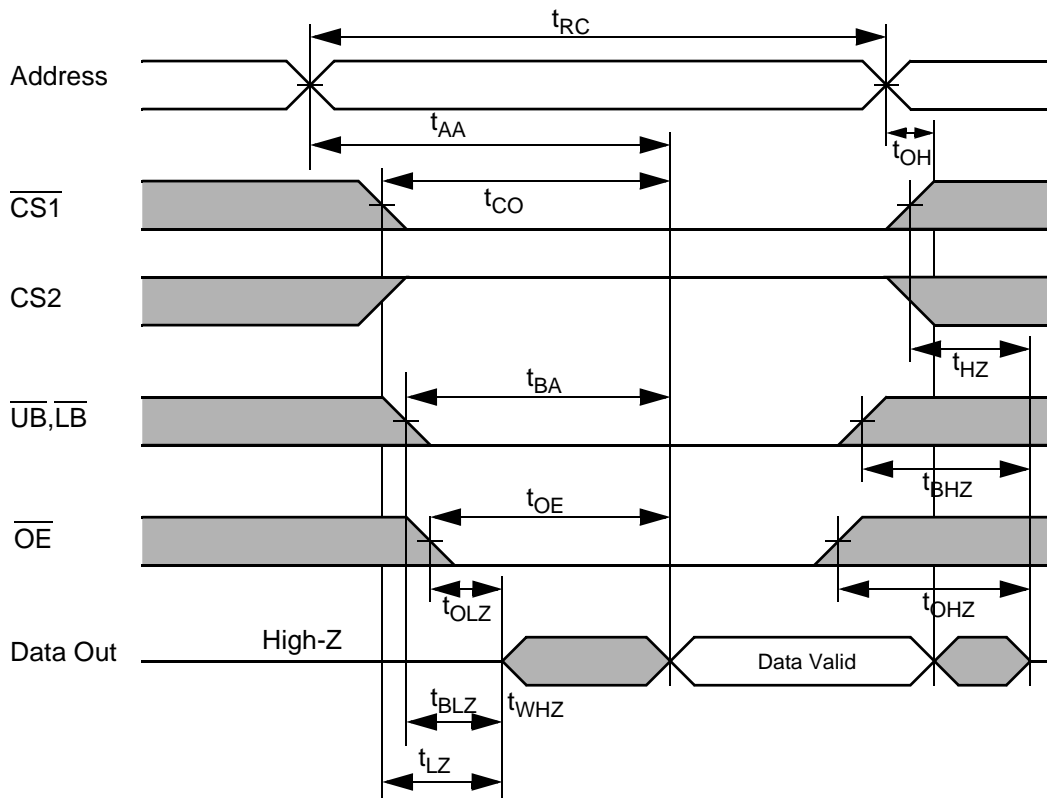
Parameter	Symbol	55ns		70ns		Unit
		Min	Max	Min	Max	
Write cycle time	$t_{WC}$	55	-	70	-	ns
Chip select to end of write	$t_{CW1}, t_{CW2}$	45	-	60	-	ns
Address setup time	$t_{As}$	0	-	0	-	ns
Address valid to end of write	$t_{AW}$	45	-	60	-	ns
$\overline{UB}, \overline{LB}$ valid to end of write	$t_{BW}$	45	-	55	-	ns
Write pulse width	$t_{WP}$	40	-	50	-	ns
Write recovery time	$t_{WR}$	0	-	0	-	ns
Write to output high-Z	$t_{WHZ}$	0	20	0	25	ns
Data to write time overlap	$t_{DW}$	30		30		ns
Data hold from write time	$t_{DH}$	0	-	0	-	ns
End write to output low-Z	$t_{OW}$	5	-	5	-	ns

## TIMING DIAGRAMS

**TIMING WAVEFORM OF READ CYCLE(1).** (Address Controlled,  $\overline{CS1}=\overline{OE}=V_{IL}$ ,  $CS2=\overline{WE}=V_{IH}$ ,  $\overline{UB}$  or/and  $\overline{LB}=V_{IL}$ )



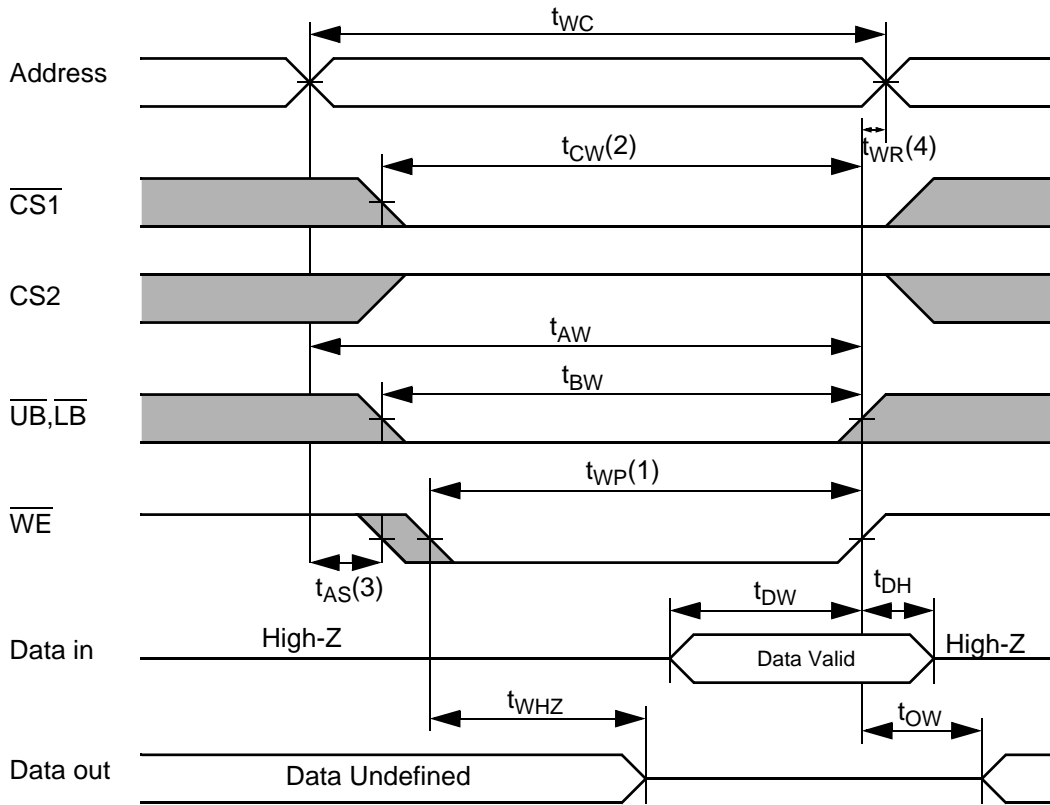
**TIMING WAVEFORM OF READ CYCLE(2)** ( $\overline{WE} = V_{IH}$ )



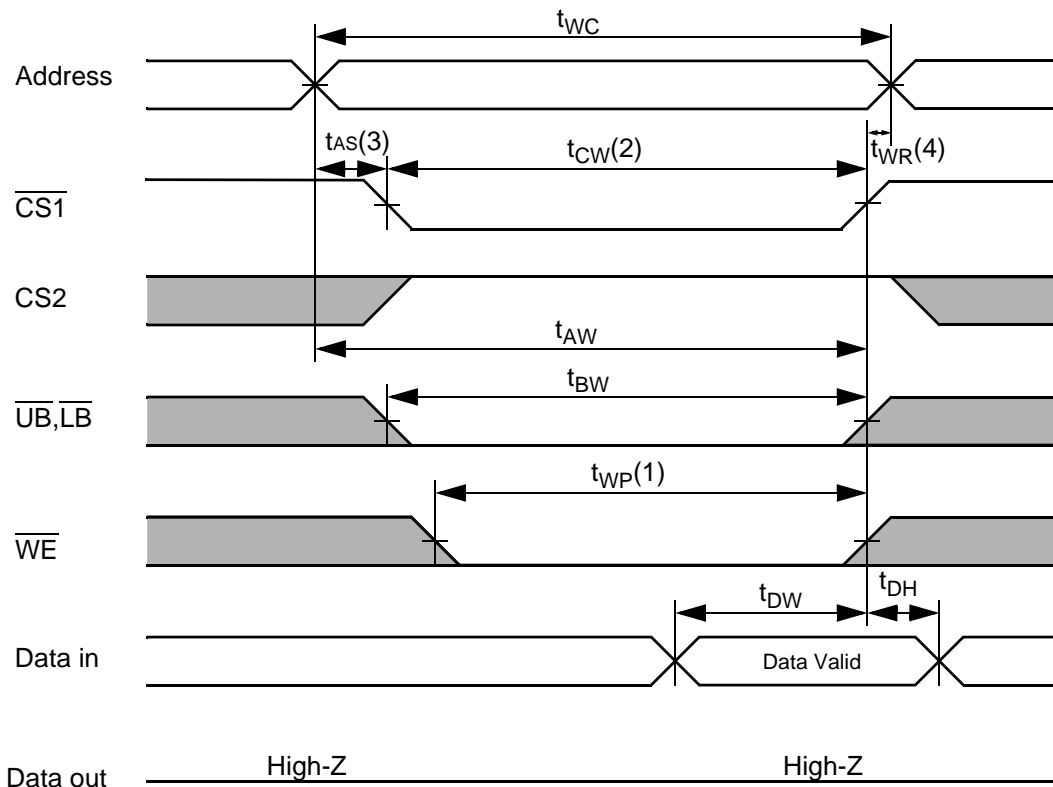
### NOTES (READ CYCLE)

- $t_{HZ}$  and  $t_{OHZ}$  are defined as the outputs achieve the open circuit conditions and are not referenced to output voltage levels.
- At any given temperature and voltage condition,  $t_{HZ}(\text{Max.})$  is less than  $t_{LZ}(\text{Min.})$  both for a given device and from device to device interconnection.

**TIMING WAVEFORM OF WRITE CYCLE(1) ( $\overline{WE}$  CONTROLLED)**

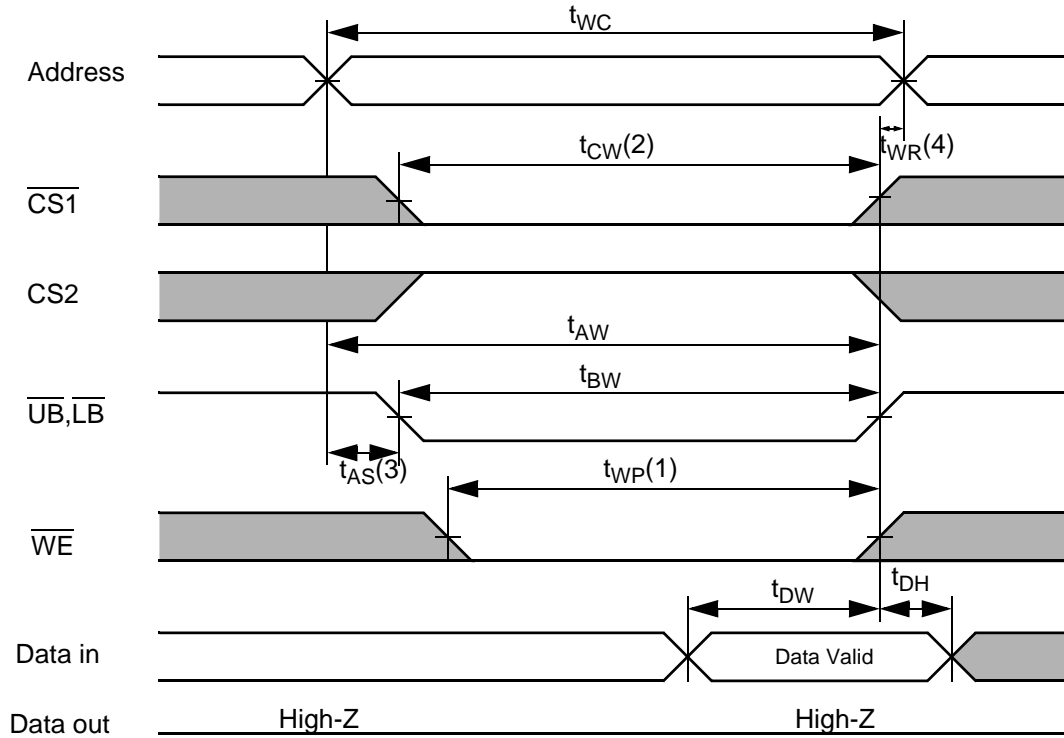


**TIMING WAVEFORM OF WRITE CYCLE(2) ( $\overline{CS1}$  CONTROLLED)**





**TIMING WAVEFORM OF WRITE CYCLE(3) ( $\overline{UB}$ ,  $\overline{LB}$  CONTROLLED)**



**NOTES (WRITE CYCLE)**

1. A write occurs during the overlap( $t_{WP}$ ) of low  $\overline{CS1}$  and low  $\overline{WE}$ . A write begins when  $\overline{CS1}$  goes low and  $\overline{WE}$  goes low with asserting  $\overline{UB}$  or  $\overline{LB}$  for single byte operation or simultaneously asserting  $\overline{UB}$  and  $\overline{LB}$  for double byte operation. A write ends at the earliest transition when  $\overline{CS1}$  goes high and  $\overline{WE}$  goes high. The  $t_{WP}$  is measured from the beginning of write to the end of write.
2.  $t_{CW}$  is measured from the  $\overline{CS1}$  going low to end of write.
3.  $t_{AS}$  is measured from the address valid to the beginning of write.
4.  $t_{WR}$  is measured from the end of write to the address change.  $t_{WR}$  applied in case a write ends as  $\overline{CS1}$  or  $\overline{WE}$  going high.

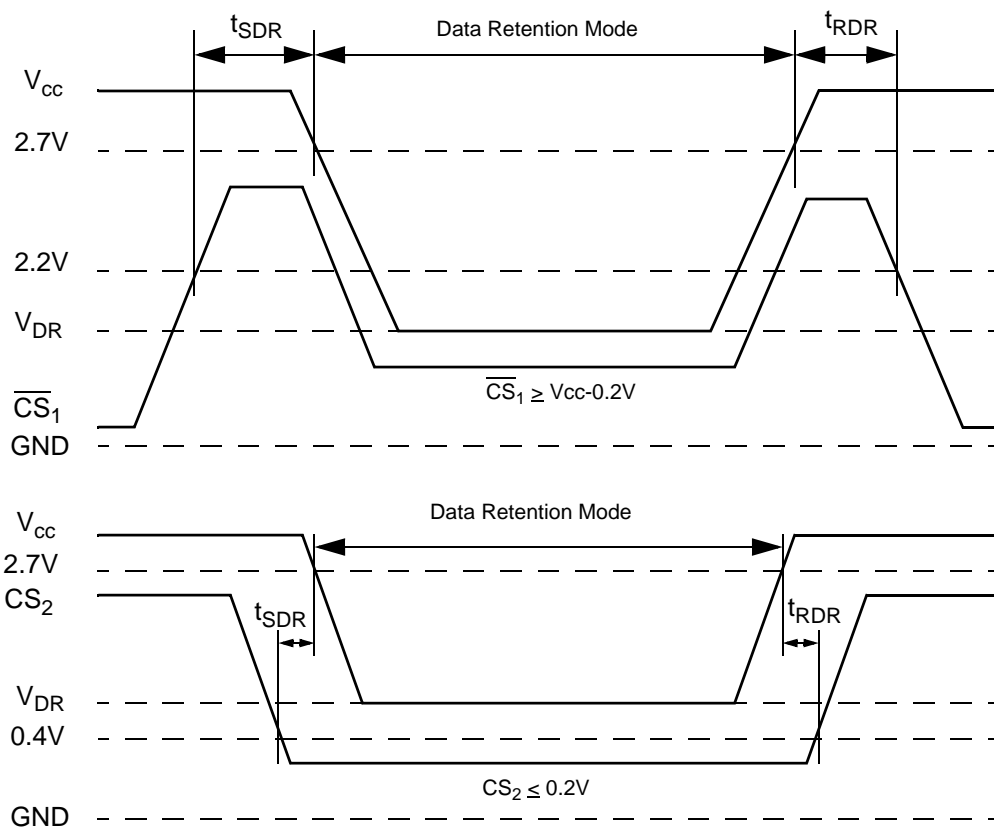
### DATA RETENTION CHARACTERISTICS

Parameter	Symbol	Test Condition	Min	Typ	Max	Unit
V <sub>CC</sub> for Data Retention	V <sub>DR</sub>	I <sub>SB1</sub> Test Condition (Chip Disabled) <sup>1)</sup>	1.5	-	3.6	V
Data Retention Current	I <sub>DR</sub>	V <sub>CC</sub> =1.5V, I <sub>SB1</sub> Test Condition (Chip Disabled) <sup>1)</sup>	-	0.5	-	uA
Chip Deselect to Data Retention Time	t <sub>SDR</sub>	See data retention wave form	0	-	-	ns
Operation Recovery Time	t <sub>RDR</sub>		t <sub>RC</sub>	-	-	

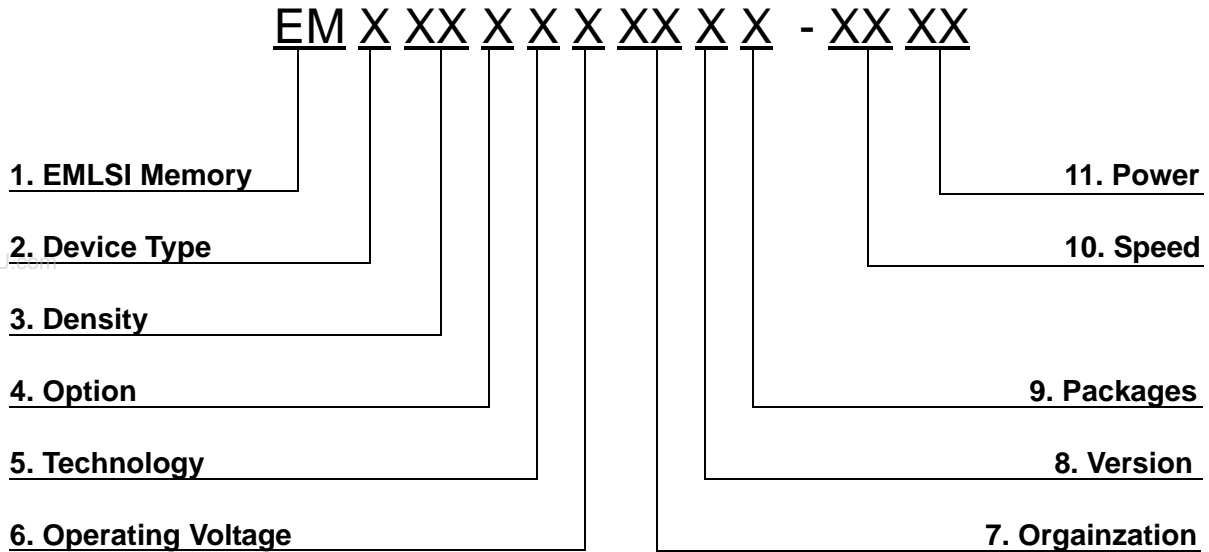
#### NOTES

- See the I<sub>SB1</sub> measurement condition of datasheet page 5.

### DATA RETENTION WAVE FORM



**MEMORY FUNCTION GUIDE**



- 1. Memory Component
- 2. Device Type
  - 6 ----- Low Power SRAM
  - 7 ----- STRAM
- 3. Density
  - 1 ----- 1M
  - 2 ----- 2M
  - 4 ----- 4M
  - 8 ----- 8M
  - 16 ----- 16M
  - 32 ----- 32M
  - 64 ----- 64M
- 4. Mode Option
  - 0 ----- Dual CS
  - 1 ----- Single CS
  - 2 ----- Multiplexed Address
  - 3 ----- Single CS with LB,UB (tBA=tOE)
  - 4 ----- Single CS with LB,UB (tBA=tCO)
  - 5 ----- Dual CS with LB,UB (tBA=tOE)
  - 6 ----- Dual CS with LB,UB (tBA=tCO)
- 5. Technology
  - Blank ----- CMOS
  - F ----- Full CMOS
- 6. Operating Voltage
  - Blank ----- 5V
  - V ----- 2.7V~3.6V
  - U ----- 3.0V
  - S ----- 2.5V
  - R ----- 2.0V
  - P ----- 1.8V

- 7. Orginzation
  - 8 ----- x8 bit
  - 16 ----- x16 bit
  - 32 ----- x32 bit
- 8. Version
  - Blank ----- Mother Die
  - A ----- First revision
  - B ----- Second revision
  - C ----- Third revision
  - D ----- Fourth revision
  - E ----- Fifth revision
  - F ----- Sixth revision
- 9. Package
  - Blank ----- FPBGA
  - S ----- 32 sTSP1
  - T ----- 32 TSOP1
  - U ----- 44 TSOP2
  - W ----- Wafer
- 10. Speed
  - 45 ----- 45ns
  - 55 ----- 55ns
  - 70 ----- 70ns
  - 85 ----- 85ns
  - 10 ----- 100ns
  - 12 ----- 120ns
- 11. Power
  - LL ----- Low Low Power
  - L ----- Low Power
  - S ----- Standard Power