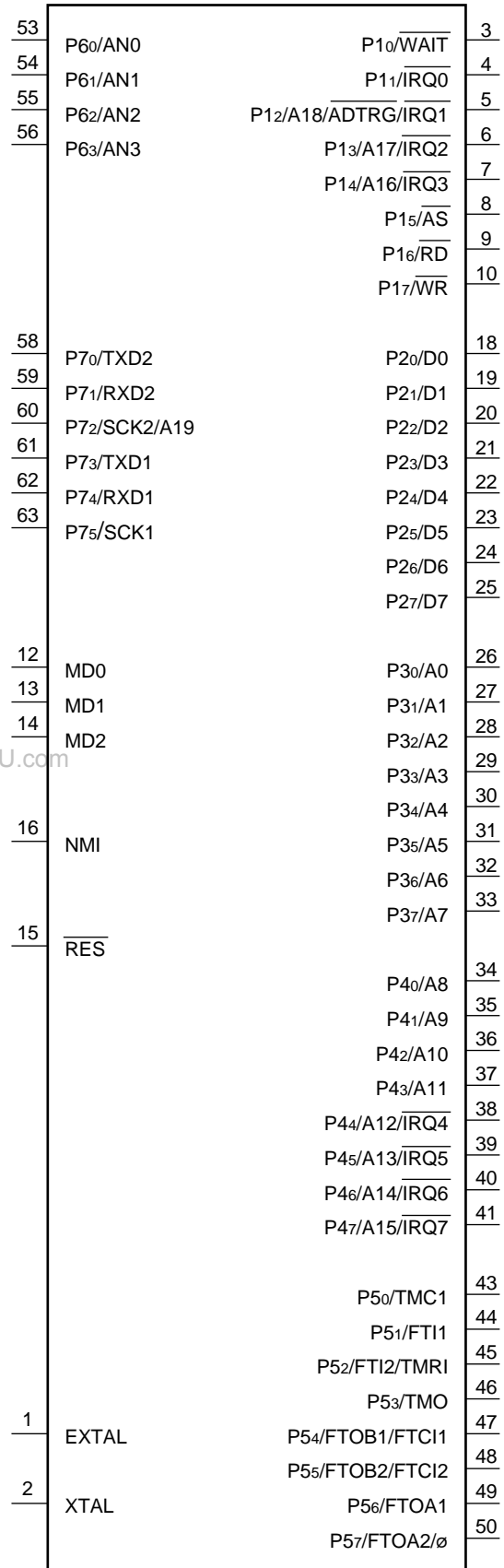
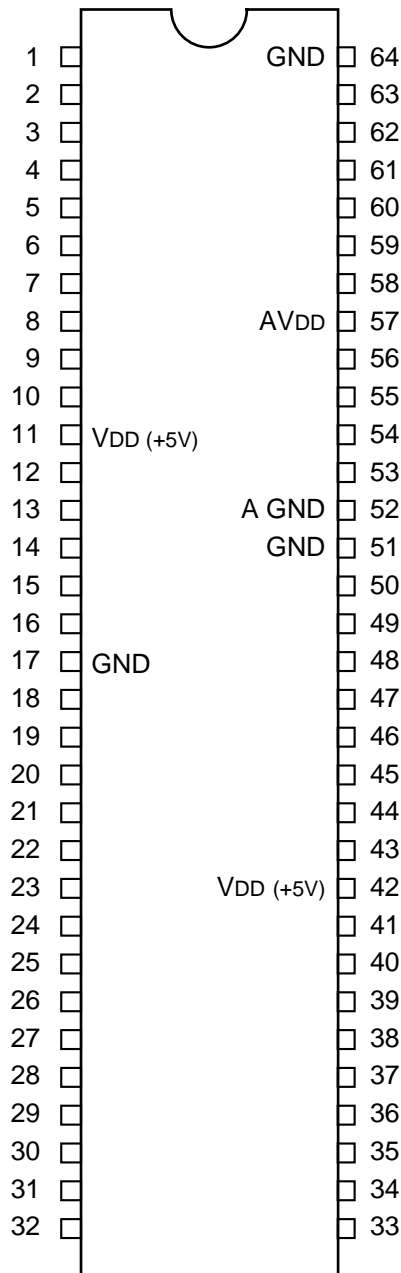

C-MOS 16-BIT MICRO COMPUTER

—TOP VIEW—



(V_{DD} = + 5 V)

PIN No.	I/O	SIGNAL	PIN No.	I/O	SIGNAL	PIN No.	I/O	SIGNAL	PIN No.	I/O	SIGNAL
1	I	EXTAL	17	—	V _{SS} (GND)	33	I/O	P37/A7	49	I/O	P56/FTOA1
2	O	XTAL	18	I/O	P20/D0	34	I/O	P40/A8	50	I/O	P57/FTOA2/ø
3	I/O	P10/WAIT	19	I/O	P21/D1	35	I/O	P41/A9	51	—	V _{SS} (GND)
4	I/O	P11/IRQ0	20	I/O	P22/D2	36	I/O	P42/A10	52	—	A GND
5	I/O	P12/A18/ADTRG/IRQ1	21	I/O	P23/D3	37	I/O	P43/A11	53	I	P60/AN0
6	I/O	P13/A17/IRQ2	22	I/O	P24/D4	38	I/O	P44/A12/IRQ4	54	I	P61/AN1
7	I/O	P14/A16/IRQ3	23	I/O	P25/D5	39	I/O	P45/A13/IRQ5	55	I	P62/AN2
8	I/O	P15/AS	24	I/O	P26/D6	40	I/O	P46/A14/IRQ6	56	I	P63/AN3
9	I/O	P16/RD	25	I/O	P27/D7	41	I/O	P47/A15/IRQ7	57	—	AV _{DD}
10	I/O	P17/WR	26	I/O	P30/A0	42	—	V _{DD}	58	I/O	P70/TXD2
11	—	V _{DD}	27	I/O	P31/A1	43	I/O	P50/TMCI	59	I/O	P71/RXD2
12	I	MD0	28	I/O	P32/A2	44	I/O	P51/FTI1	60	I/O	P72/SCK2/A19
13	I	MD1	29	I/O	P33/A3	45	I/O	P52/FTI2/TMRI	61	I/O	P73/TXD1
14	I	MD2	30	I/O	P34/A4	46	I/O	P53/TMO	62	I/O	P74/RXD1
15	I/O	RES	31	I/O	P35/A5	47	I/O	P54/FTOB1/FTCI1	63	I/O	P75/SCK1
16	I	NMI	32	I/O	P36/A6	48	I/O	P55/FTOB2/FTCI2	64	—	V _{SS} (GND)

AV_{DD}/A GND : REFERENCE VOLTAGE FOR A/D CONVERTOR

INPUT

ADTRG	;	EXTERNAL TRIGGER FOR A/D CONVERTOR
AN0-AN3	;	ANALOG INPUTS
EXTAL	;	CONNECTED TO CRYSTAL OSCILLATOR
FTCI1, FTCI2	;	*FRT COUNTER CLOCK (CHANNEL 1, 2)
FTI1, FTI2	;	*FRT INPUT CAPTURE (CHANNEL 1, 2)
IRQ0-IRQ7	;	INTERRUPTION REQUEST 0-7
MD0-MD2	;	MODE SETTING
NMI	;	NON MASKABLE INTERRUPTION
P60-P63	;	PORT 6
RXD1, RXSD2	;	RECEIVE DATA (CHANNEL 1, 2)
TMCI	;	8-BIT TIMER CLOCK
TMRI	;	8-BIT TIMER COUNTER RESET
WAIT	;	WAIT
*FRT	;	FREE RUNNING TIMER

OUTPUT

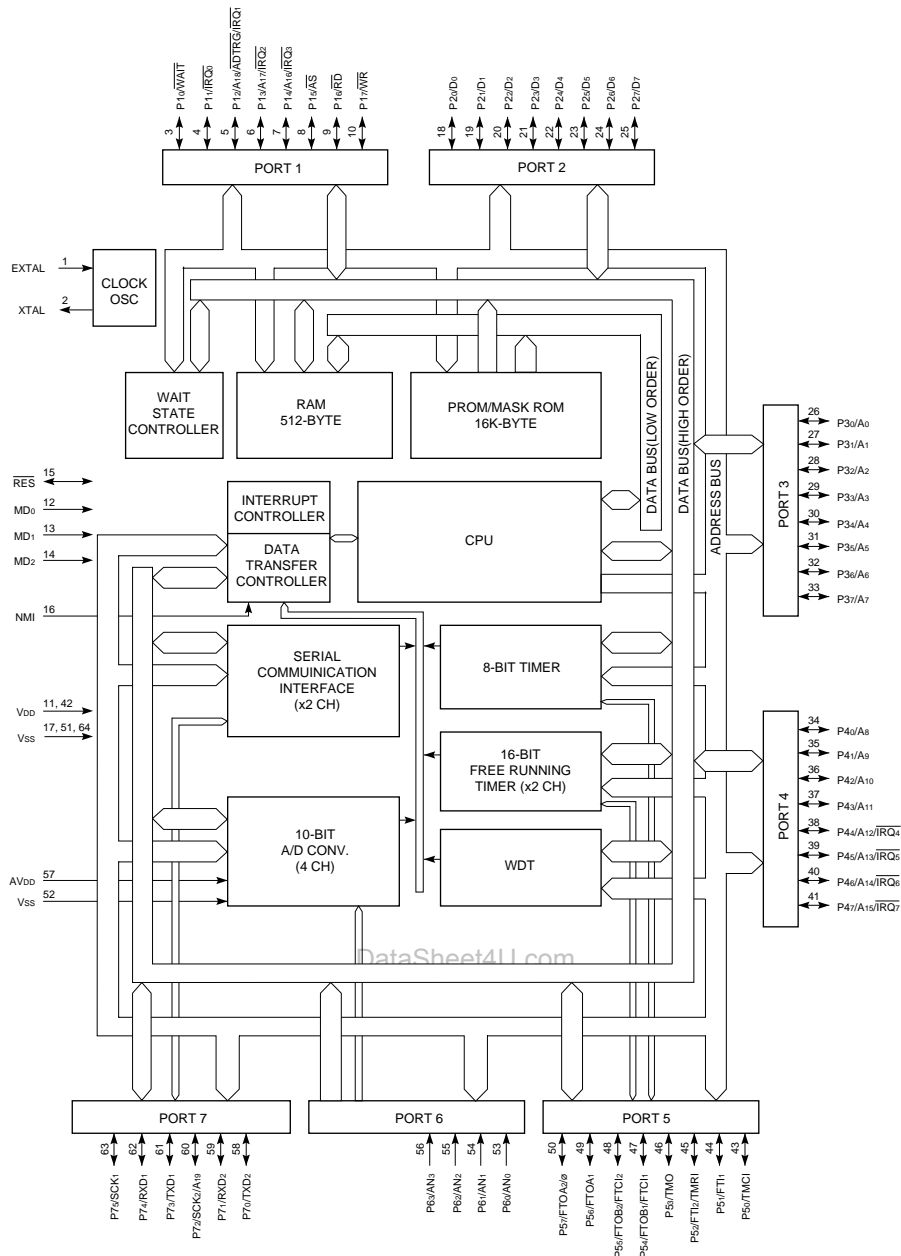
A0-A19	;	ADDRESS BUS
AS	;	ADDRESS STROBE
FTOA1, FTOA2	;	*FRT OUTPUT COMPARE A (CHANNEL 1, 2)
FTOB1, FTOB2	;	*FRT OUTPUT COMPARE B (CHANNEL 1, 2)
RD	;	READ
TMO	;	8-BIT TIMER
TXD1, TXD2	;	TRANSMISSION DATA (CHANNEL 1, 2)
WR	;	WRITE
XTAL	;	CONNECTED TO CRYSTAL OSCILLATOR
∅	;	SYSTEM CLOCK

INPUT/OUTPUT

D0-D7	;	DATA BUS
P10-P17	;	PORT 1
P20-P27	;	PORT 2
P30-P37	;	PORT 3
P40-P47	;	PORT 4
P50-P57	;	PORT 5
P70-P77	;	PORT 7
RES	;	RESET
SCK1, SCK2	;	SERIAL CLOCK (CHANNEL 1, 2)

MD2	MD1	MD0	ACTUATION MODE	CONTENT
0	0	0	MODE 0	—
0	0	1	MODE 1	EXTENTION MINIMUM MODE (ROM REACTIVE)
0	1	0	MODE 2	EXTENTION MINIMUM MODE (ROM EFFECTIVE)
0	1	1	MODE 3	EXTENTION MINIMUM MODE (ROM REACTIVE)
1	0	0	MODE 4	EXTENTION MINIMUM MODE (ROM EFFECTIVE)
1	0	1	MODE 5	—
1	1	0	MODE 6	HARDWARE STANDBY MODE
1	1	1	MODE 7	SINGLE CHIP MODE

0 ; LOW LEVEL
1 ; HIGH LEVEL



et4U.com

DataSheet4U.com