

**PLEASE CHECK WWW.MOLEX.COM FOR LATEST PART INFORMATION**

**Part Number:** [0894858100](#)  
**Status:** **Active**  
**Description:** Universal Serial Bus (USB) Shielded I/O Type A Receptacle, Single Upright, Right Angle, Terminal Length 2.00mm (.079"), With Mylar, Gold (Au) Flash, Tube Package, Lead Free

**Documents:**

[3D Model](#) [Product Specification PS-89485 \(PDF\)](#)  
[Drawing \(PDF\)](#) [RoHS Certificate of Compliance \(PDF\)](#)

**Agency Certification**

CSA LR19980  
 UL E29179

**General**

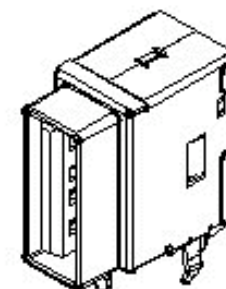
Product Family I/O Connectors  
 Series [89485](#)  
 Application Wire-to-Board  
 Comments With Mylar  
 Component Type Receptacle  
 Product Name USB  
 Type A

**Physical**

Boot Color N/A  
 Circuits (Loaded) 4  
 Circuits (maximum) 4  
 Flammability 94V-0  
 Gender Male  
 Lock to Mating Part Yes  
 Material - Plating Mating Gold  
 Material - Plating Termination Tin  
 Number of Rows 1  
 Orientation Upright  
 PC Tail Length (in) 0.079 In  
 PC Tail Length (mm) 2.00 mm  
 PCB Locator Yes  
 PCB Retention Yes  
 PCB Thickness Recommended (in) 0.062 In  
 PCB Thickness Recommended (mm) 1.60 mm  
 Packaging Type Tube  
 Panel Mount No  
 Pitch - Mating Interface (in) 0.079 In, 0.098 In  
 Pitch - Mating Interface (mm) 2.00 mm, 2.50 mm  
 Pitch - Term. Interface (in) 0.055 In  
 Pitch - Term. Interface (mm) 1.40 mm  
 Polarized to Mating Part Yes  
 Polarized to PCB Yes  
 Ports 1  
 Surface Mount Compatible (SMC) No  
 Temperature Range - Operating 125°C  
 Termination Interface: Style Through Hole  
 Waterproof / Dustproof No

**Electrical**

Current - Maximum per Contact 1A



*image - Reference only*

*Series*

**EU RoHS**

**ELV and RoHS  
 Compliant**  
**REACH SVHC**  
 Not Reviewed  
**Halogen-Free  
 Status**  
**Not Reviewed**

**China RoHS**



**Need more information on product  
 environmental compliance?**

Email [productcompliance@molex.com](mailto:productcompliance@molex.com)  
 For a multiple part number RoHS Certificate of  
 Compliance, [click here](#)

Please visit the [Contact Us](#) section for any  
 non-product compliance questions.

**Search Parts in this Series**

[89485Series](#)

**Mates With**

[88740 USB Type A Cable Plug](#)

|                   |               |
|-------------------|---------------|
| Shield Type       | Full Shield   |
| Shielded          | Yes           |
| Voltage - Maximum | 750V AC (RMS) |

**Solder Process Data**

|                              |                        |
|------------------------------|------------------------|
| Lead-free Process Capability | Wave Capable (TH only) |
|------------------------------|------------------------|

**Material Info****Reference - Drawing Numbers**

|                         |              |
|-------------------------|--------------|
| Packaging Specification | PK-89485-001 |
| Product Specification   | PS-89485     |
| Sales Drawing           | SD-89485-003 |

This document was generated on 05/25/2010

**PLEASE CHECK [WWW.MOLEX.COM](http://WWW.MOLEX.COM) FOR LATEST PART INFORMATION**

NOTES :

1. MATERIAL :  
 HOUSING : HIGH TEMPERATURE NYLON , GLASS FIBRE FILLED, UL94-V0 , COLOR: BLACK  
 TERMINAL : PHOSPHOR BRONZE  
 METAL SHELL : DEEP DRAWN STEEL

2. PLATING :  
 TERMINAL :  
 CONTACT AREA : (a) GOLD FLASH,  
 (b) GOLD (Au), THICKNESS = 30 MICROINCH MINIMUM.  
 SOLDER TAIL :  
 PURE TIN THICKNESS= 75 MICROINCH MINIMUM .  
 UNDER PLATE : NICKEL (Ni), THICKNESS= 50 MICROINCH MINIMUM.  
 METAL SHELL :  
 TIN (Sn) ALLOY , THICKNESS= 100 MICROINCH MINIMUM.  
 UNDER PLATE : NICKEL (Ni), THICKNESS= 50 MICROINCH MINIMUM.

3. RECOMMENDED PCB THICKNESS : 1.60±0.05 mm

4. PRODUCT SPECIFICATION : REFER TO PS-89485

5. TRAY PACKAGING SPECIFICATION REFER TO : PK-89485-002  
 TUBE PACKAGING SPECIFICATION REFER TO : PK-89485-001  
 TUBE PACKAGING P/N, PLEASE REFER TO SHEET 2,3

| DIMENSION "A"                          | P/N FOR TRAY PACKING |  |
|--|----------------------|--|
| 2.00 <sup>+0.35</sup> <sub>-0.15</sub> | 89485-8000           | GOLD FLASH PLATING ON CONTACT AREA         |
|  | 89485-8001           | 30 MICRO INCH GOLD PLATING ON CONTACT AREA |
| 2.50 <sup>+0.35</sup> <sub>-0.10</sub> | 89485-8002           | GOLD FLASH PLATING ON CONTACT AREA         |
|  | 89485-8003           | 30 MICRO INCH GOLD PLATING ON CONTACT AREA |

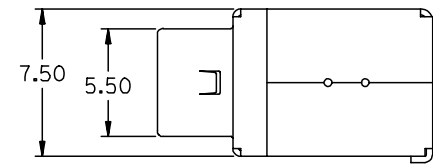
ENG. NO

EDP NO.

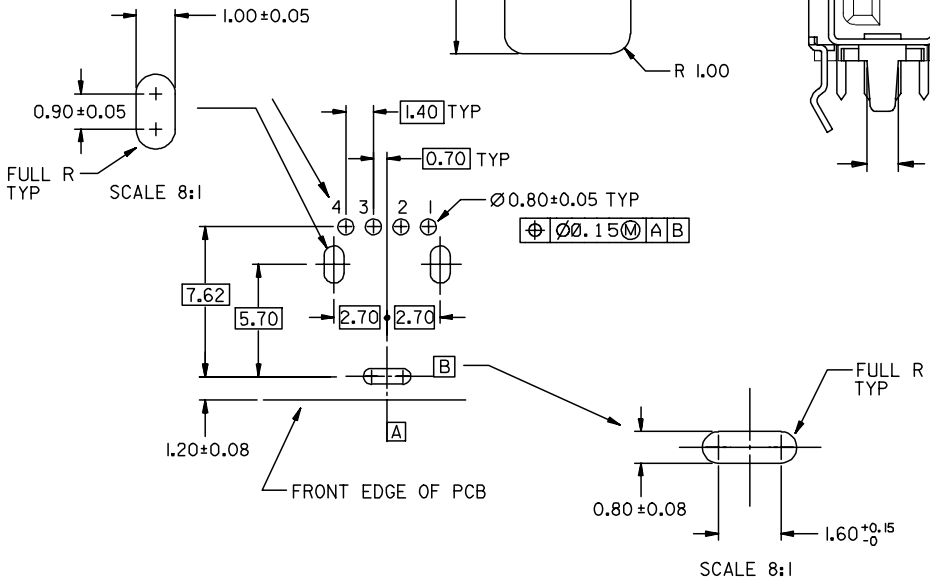
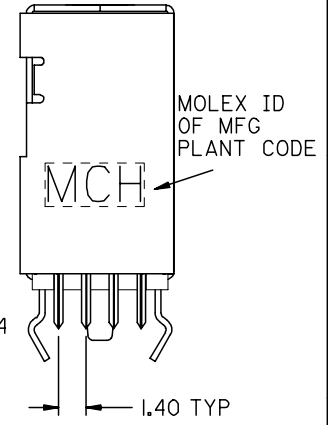
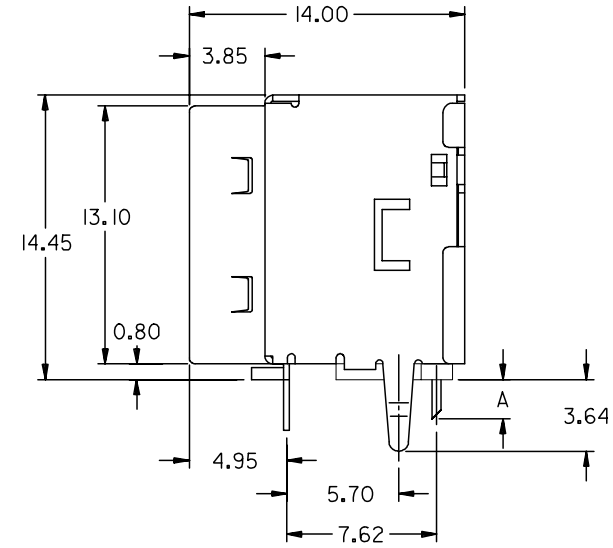
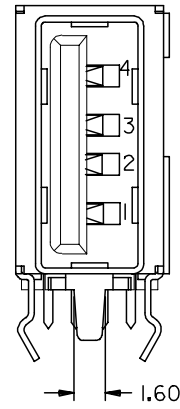
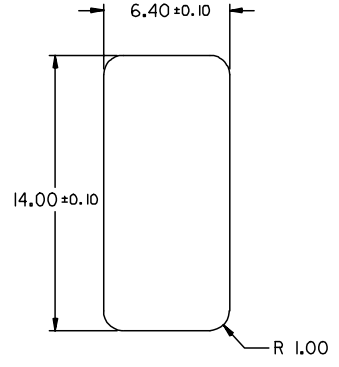
SIMILAR ITEM

CAD FILE :

DO NOT SCALE DRAWING



Recommended Panel Opening



|                             |                 |     |    |                     |                             |   |  |
|-----------------------------|-----------------|-----|----|---------------------|-----------------------------|---|--|
|                             |                 |     |    | MATERIAL : SEE NOTE |                             | MOLEX TAIWAN LTD. SHEET 1 OF 3                      |  |
|                             |                 |     |    | FINISH : SEE NOTE   |                             | GENERAL TOLERANCES<br>ANGLE : ± 3° DIM : ± .25/.010 |  |
|                             |                 |     |    | WIRE RANGE : N/A    |                             | ENG. NO.: SD-89485-003                              |  |
|                             |                 |     |    | INS. RANGE : N/A    |                             | REV A   |  |
| A NEW RELEASE FOR LEAD-FREE |                 |     |    | DAVID HJ 2004/11/5  |                             |   |  |
| LTR                         | REVISION RECORD | ECN | DR | DATE                | DRAWN BY DAVID HJ 2004/11/5 | CHK'D BY  | TITLE : SINGLE PORT UP-RIGHT USB CONNECTOR (LEAD-FREE) |
| REVISE ONLY ON CAD SYSTEM   |                 |     |    |                     | APPR'D BY                   | SCALE 4:1   |  |

8 7 6 5 4 3 2 1

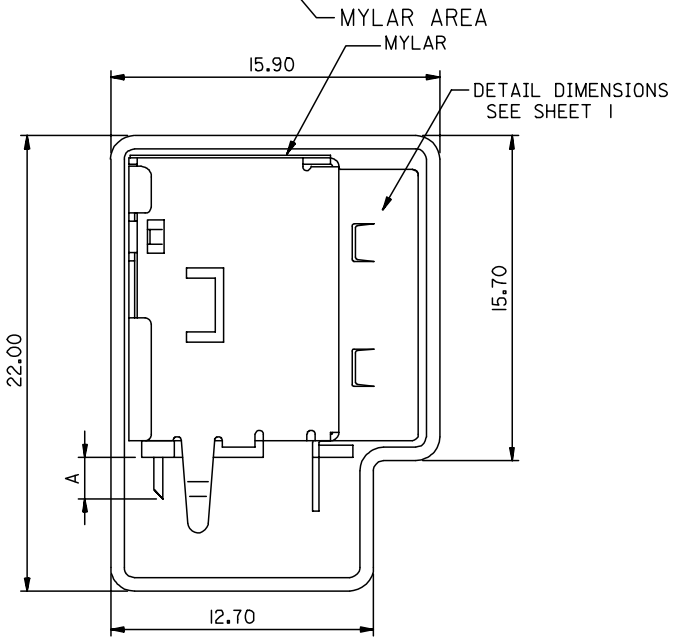
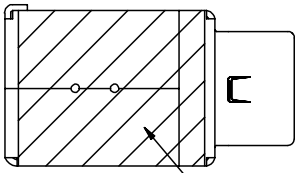
ENG. NO

EDP NO.

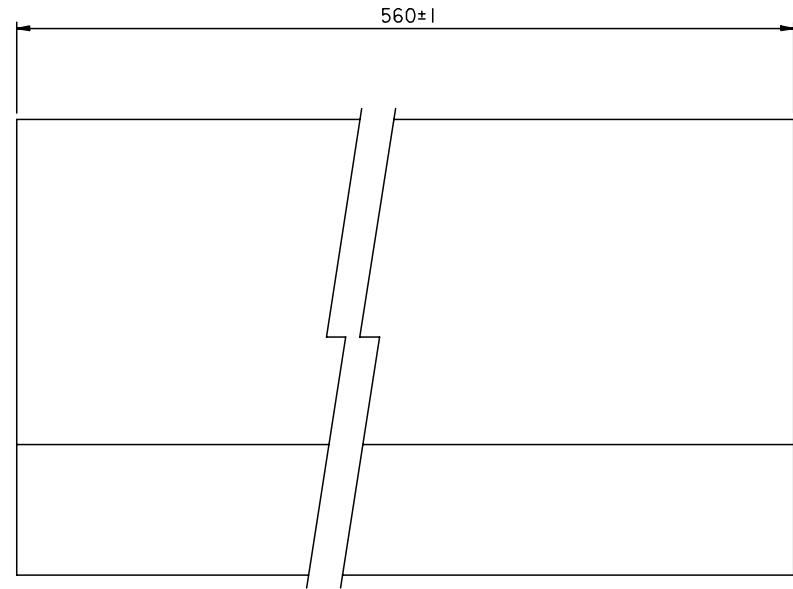
SIMILAR ITEM

CADFILE NO.

DO NOT SCALE DRAWING



NOTE:  
 1. DETAIL DIMENSIONS, PLEASE REFER TO SHEET 1 OF SD-89485-003  
 2. THE TUBE PACKAGE INCLUDE TWO PLUGS ON RIGHT AND LEFT SIDES.  
 3. TUBE PACKAGING SPECIFICATION REFER TO: PK-89485-001



PART NUMBER LEGEND:

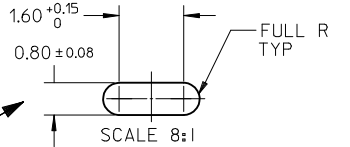
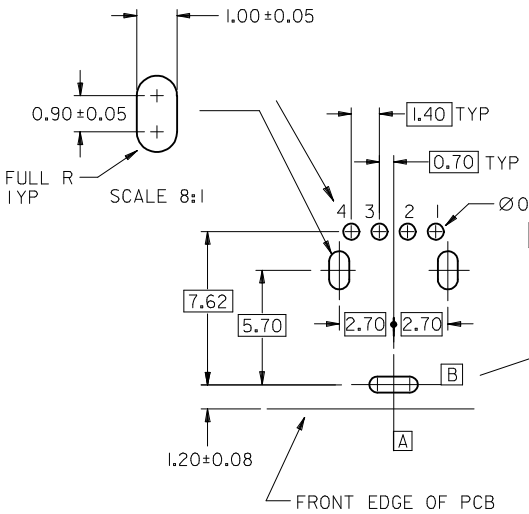
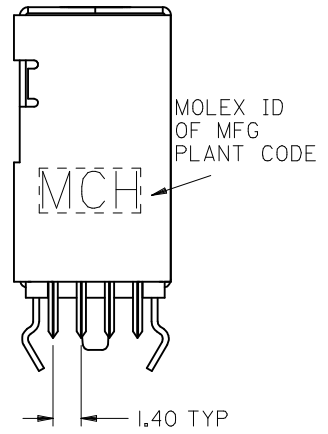
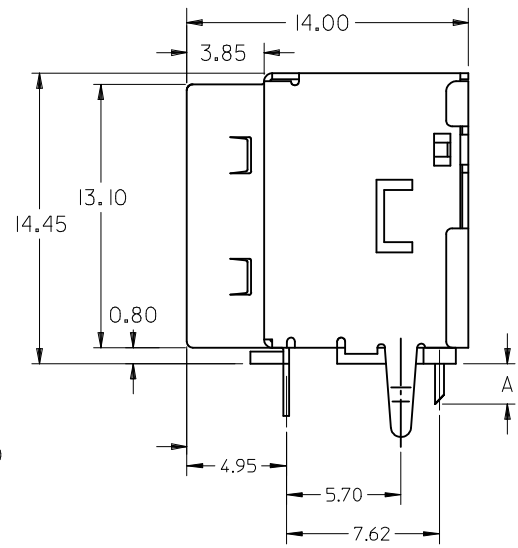
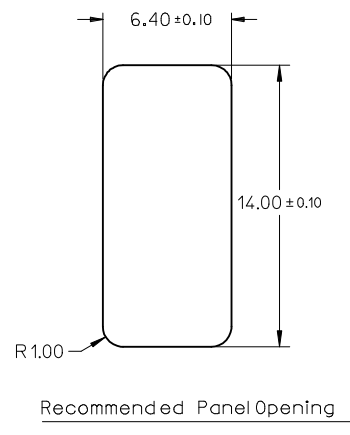
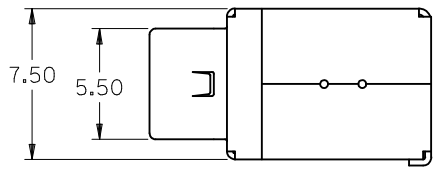
| P/N FOR TUBE PACKING AND MYLAR ADDITION |  |  |  |
|---|--|--|--|
| MATERIAL NUMBER                         | DIMENSION 'A'                          | PLATING SPECIFICATION                      |  |
| WITH MYLAR                              | 2.00 <sup>+0.35</sup> <sub>-0.15</sub> | GOLD FLASH PLATING ON CONTACT AREA         |  |
|   |  | 30 MICRO INCH GOLD PLATING ON CONTACT AREA |  |
|   | 2.50 <sup>+0.35</sup> <sub>-0.10</sub> | GOLD FLASH PLATING ON CONTACT AREA         |  |
|   |  | 30 MICRO INCH GOLD PLATING ON CONTACT AREA |  |

|   |  |  |       |  |   |   |   |         |     |
|---|--|--|-------|--|---|---|---|---------|-----|
| NEW RELEASE<br>EC NO.<br>DAVID HU 2004/10/28<br>CHK:<br>APPR: | QUALITY SYMBOLS<br>MAJOR = 0<br>CRITICAL = 0 | GENERAL TOLERANCES: (UNLESS SPECIFIED) |       | SCALE 4 : 1  | DESIGN UNITS <input checked="" type="checkbox"/> mm <input type="checkbox"/> INCH | THIRD ANGLE PROJECTION <input type="checkbox"/> mm <input checked="" type="checkbox"/> INCH | DIMENSIONS: <input type="checkbox"/> mm <input type="checkbox"/> INCH <input checked="" type="checkbox"/> mm ONLY | SHT     | REV |
|   |  | 4 PLACES ± .                           | ± .   | DRAWN BY & DATE<br>DAVID HU 2004/10/28   |   | TITLE: USB A UPRIGHT 89485 WITH MYLAR BY TUBE PACKAGE (LEAD-FREE)                           |   |         |     |
|   |  | 3 PLACES ± .                           | ± .   | CHECKED BY & DATE  |   |   |   |         |     |
|   |  | 2 PLACES ±0.25                         | ±0.10 | APPROVED BY & DATE   |   | MATERIAL NO. SEE TABLE<br>DRAWING NO. SD-89485-003<br>SHEET NO. 2                           |   |         |     |
| 1 PLACE ±0.25   | ±0.10  | ANGULAR: ±3°                           |       | THIS DRAWING CONTAINS INFORMATION THAT IS PROPRIETARY TO MOLEX INCORPORATED AND SHOULD NOT BE USED WITHOUT WRITTEN PERMISSION. |   |   |   |         |     |
| DRAFT WHERE APPLICABLE MUST REMAIN WITHIN DIMENSIONS          |  |  |       |  |   |   |   | SIZE A3 |     |

10 9 8 7 6 5 4 3 2 1

| DIMENSION "A"                          | P/N        | PLATING          | TERMINAL CONTACT PLATING | TERMINAL SOLDER PLATING  | METAL SHELL PLATING       |
|--|------------|------------------|--------------------------|--------------------------|---------------------------|
| 2.00 <sup>+0.35</sup> <sub>-0.15</sub> | 89485-8000 | SEE NOTES(a)+(d) | GOLD FLASH               | 75 MICRO INCH BRIGHT TIN | 100 MICRO INCH BRIGHT TIN |
|  | 89485-8001 | SEE NOTES(b)+(d) | 30 MICRO INCH GOLD       |                          |                           |
| 2.50 <sup>+0.35</sup> <sub>-0.10</sub> | 89485-8002 | SEE NOTES(a)+(d) | GOLD FLASH               | 75 MICRO INCH MATTE TIN  | 100 MICRO INCH MATTE TIN  |
|  | 89485-8003 | SEE NOTES(b)+(d) | 30 MICRO INCH GOLD       |                          |                           |
|  | 89485-8012 | SEE NOTES(c)+(e) | GOLD FLASH               |                          |                           |

NOTE:  
 1.MATERIAL:  
 HOUSING:HIGH TEMPERATURE NYLON,GLASS FIBRE FILLED,UL94-V0,COLOR:BLACK  
 TERMINAL:PHOSPHOR BRONZE  
 METAL SHELL:DEEP DRAWN STEEL  
 2.PLATING:  
 TERMINAL:  
 (a)GOLD FLASH ON THE CONTACT AREA,AND 75MICROINCH MINIMUM PURE TIN ON SOLDER TAIL, UNDER 50MICROINCH MINIMUM Ni PLATE.  
 (b)30MICROINCH MINIMUM GOLD(Au) ON THE CONTACT AREA, AND 75MICROINCH MINIMUM PURE TIN ON SOLDER TAIL,UNDER 50MICROINCH MINIMUM Ni UNDER PLATE.  
 (c)GOLD FLASH ON THE CONTACT AREA,AND 75MICROINCH MINIMUM MATTE TIN ON SOLDER TAIL,UNDER 50MICROINCH MINIMUM Ni PLATE.  
 METAL SHELL:  
 (d)100MICROINCH MINIMUM BRIGHT TIN ON THE METAL SHELL,AND 50MICROINCH MINIMUM Ni AND 100MICROINCH MINIMUM Cu PLATE.  
 (e)100MICROINCH MINIMUM MATTE TIN ON THE METAL SHELL,AND 50MICROINCH MINIMUM Ni AND 100MICROINCH MINIMUM Cu PLATE.  
 3.RECOMMENDED PCB THICKNESS:1.60 ±0.05mm  
 4.PRODUCT SPECIFICATION:REFER TO PS-89485  
 5. TRAY PACKAGING SPECIFICATION REFER TO:PK-89485-002  
 TUBE PACKAGING SPECIFICATION REFER TO:PK-89485-001  
 TUBE PACKAGING P/N,PLEASE REFER TO:SHEET 2,3



|  |                 |
|--|-----------------|
| NEW RELEASE<br>EC NO: SH2009-0233<br>DR:WINEZHAO 2008/12/02<br>CHKD:RZHANG 2008/12/12<br>APPR:HWANG 2008/12/17 | DESCRIPTION     |
|  | REV             |
|  | QUALITY SYMBOLS |
|  | QUALITY SYMBOLS |

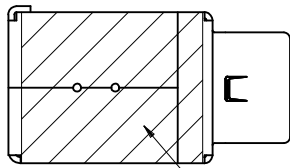
|  |                                       |
|--|---------------------------------------|
| DRAFT WHERE APPLICABLE MUST REMAIN WITHIN DIMENSIONS | GENERAL TOLERANCES (UNLESS SPECIFIED) |
|  | mm INCH                               |
|  | 4 PLACES ± --- ± ---                  |
|  | 3 PLACES ± --- ± ---                  |
| 2 PLACES ± 0.25 ± .010                               |                                       |
| 1 PLACE ± 0.25 ± .010                                |                                       |
| ANGULAR ± 3 °  |                                       |

|                 |   |  |                        |
|-----------------|---|--|------------------------|
| DIMENSION STYLE | SCALE   | DESIGN UNITS                                 | THIRD ANGLE PROJECTION |
| MM ONLY         | 4:1   | METRIC                                       |                        |
| DRAWN BY        | DATE  | TITLE  |                        |
| DAVID HU        |   | SINGLE PORT UP-RIGHT USB CONNECTOR LEAD-FREE |                        |
| CHECKED BY      | DATE  |  |                        |
| APPROVED BY     | DATE  |  |                        |
| MATERIAL NO.    | DOCUMENT NO.  |  |                        |
| SEE TABLE       | SD-89485-003  |  |                        |
| SIZE            | THIS DRAWING CONTAINS INFORMATION THAT IS PROPRIETARY TO MOLEX INCORPORATED AND SHOULD NOT BE USED WITHOUT WRITTEN PERMISSION |  |                        |
| A3              |   |  |                        |

|                    |           |
|--------------------|-----------|
| MOLEX INCORPORATED | SHEET NO. |
|                    | 1 OF 3    |

9 8 7 6 5 4 3 2 1

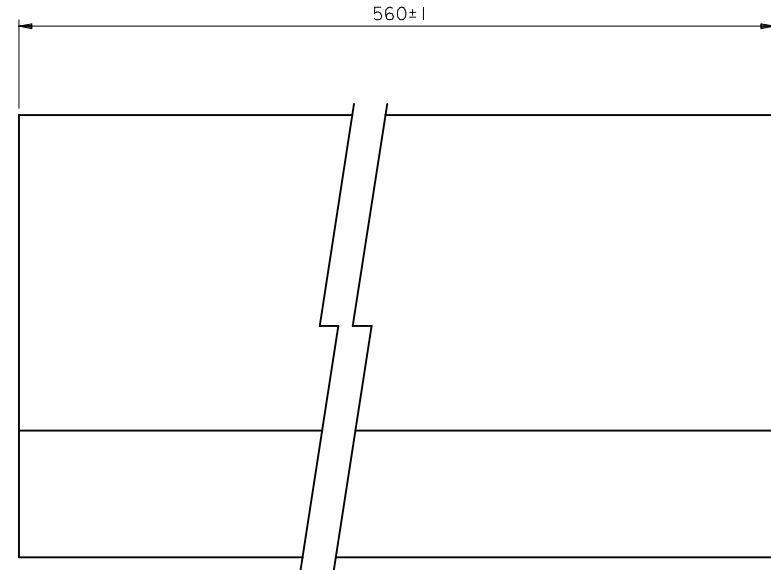
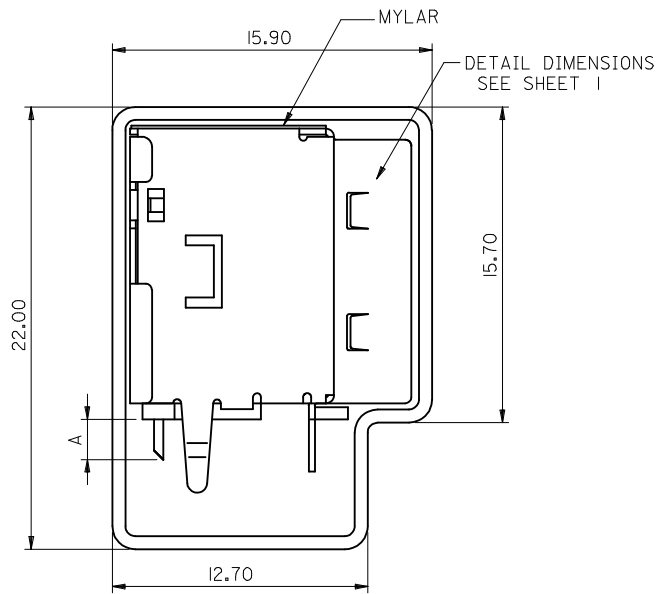
10 9 8 7 6 5 4 3 2 1



MYLAR AREA

NOTE:

1. DETAIL DIMENSIONS, PLEASE REFER TO SHEET 1 OF SD-89485-003
2. THE TUBE PACKAGE INCLUDE TWO PLUGS ON RIGHT AND LEFT SIDES.
3. TUBE PACKAGING SPECIFICATION REFER TO: PK-89485-001



PART NUMBER LEGEND:

P/N FOR TUBE PACKING AND MYLAR ADDITION

| MATERIAL NUMBER | DIMENSION 'A'                          | PLATING SPECIFICATION                      |
|-----------------|--|--|
| 89485-8100      | 2.00 <sup>+0.35</sup> <sub>-0.15</sub> | GOLD FLASH PLATING ON CONTACT AREA         |
| 89485-8101      |  | 30 MICRO INCH GOLD PLATING ON CONTACT AREA |
| 89485-8102      | 2.50 <sup>+0.35</sup> <sub>-0.10</sub> | GOLD FLASH PLATING ON CONTACT AREA         |
| 89485-8103      |  | 30 MICRO INCH GOLD PLATING ON CONTACT AREA |

NEW RELEASE  
 EC NO: SH2009-0233  
 DR: WINEZHAO 2008/12/02  
 CHK: RZHANG 2008/12/12  
 APPR: HWANG 2008/12/17

QUALITY SYMBOLS  
  
 DESCRIPTION  
 REV

|  | GENERAL TOLERANCES (UNLESS SPECIFIED) |        |
|--|---------------------------------------|--------|
|  | mm                                    | INCH   |
| 4 PLACES   | ± ---                                 | ± ---  |
| 3 PLACES   | ± ---                                 | ± ---  |
| 2 PLACES   | ± 0.25                                | ± .010 |
| 1 PLACE  | ± 0.25                                | ± .010 |
| ANGULAR ± 3 °  |                                       |        |
| DRAFT WHERE APPLICABLE MUST REMAIN WITHIN DIMENSIONS |                                       |        |

| DIMENSION STYLE |           |
|-----------------|-----------|
| MM ONLY         |           |
| DRAWN BY        | DATE      |
| CHECKED BY      | DATE      |
| APPROVED BY     | DATE      |
| MATERIAL NO.    | SEE TABLE |
| SIZE            | A3        |

| SCALE   | DESIGN UNITS | THIRD ANGLE PROJECTION |
|---|--------------|------------------------|
| 4:1   | METRIC       |                        |
| TITLE   |              |                        |
| SINGLE PORT UP-RIGHT USB CONNECTOR LEAD-FREE  |              |                        |
| MOLEX INCORPORATED  |              | SHEET NO.              |
| DOCUMENT NO. SD-89485-003   |              | 2 OF 3                 |
| THIS DRAWING CONTAINS INFORMATION THAT IS PROPRIETARY TO MOLEX INCORPORATED AND SHOULD NOT BE USED WITHOUT WRITTEN PERMISSION |              |                        |

9 8 7 6 5 4 3 2 1

F

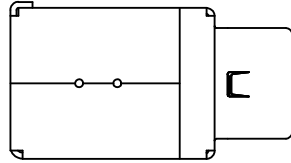
E

D

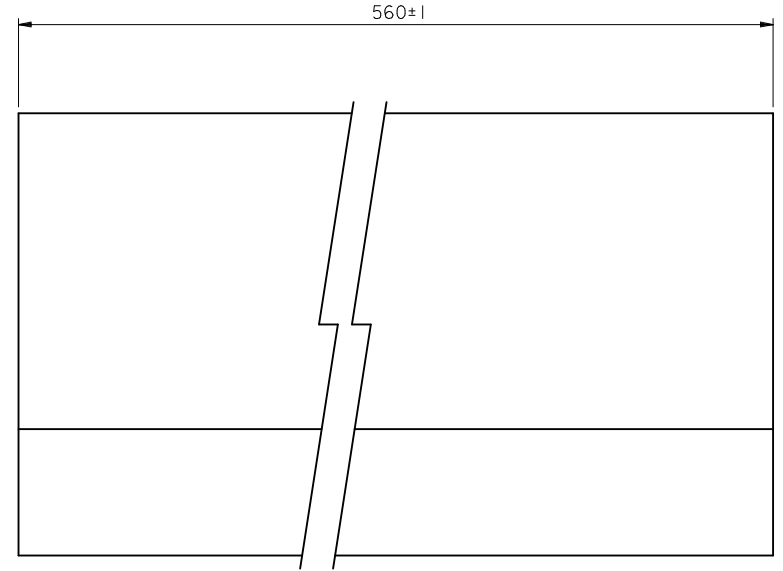
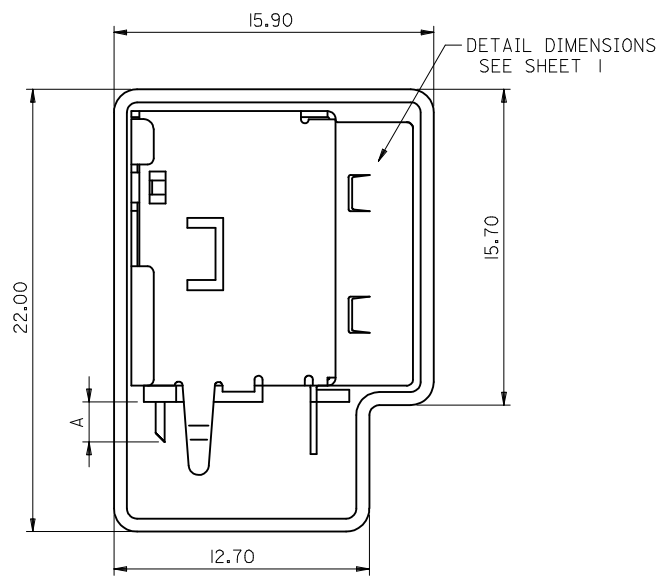
C

B

A



NOTE:  
 1.DETAIL DIMENSIONS , PLEASE REFER TO SHEET 1 OF SD-89485-003  
 2.THE TUBE PACKAGE INCLUDE TWO PLUGS ON RIGHT AND LEFT SIDES.  
 3.TUBE PACKAGING SPECIFICATION REFER TO: PK-89485-001



PART NUMBER LEGEND:

| P/N FOR TUBE PACKING |  |   |
|----------------------|--|---|
| MATERIAL NUMBER      | DIMENSION *A                           | PLATING SPECIFICATION                                 |
| WITHOUT MYLAR        | 2.00 <sup>+0.35</sup> <sub>-0.15</sub> | 89485-8200 GOLD FLASH PLATING ON CONTACT AREA         |
|                      |  | 89485-8201 30 MICRO INCH GOLD PLATING ON CONTACT AREA |
| WITHOUT MYLAR        | 2.50 <sup>+0.35</sup> <sub>-0.10</sub> | 89485-8202 GOLD FLASH PLATING ON CONTACT AREA         |
|                      |  | 89485-8203 30 MICRO INCH GOLD PLATING ON CONTACT AREA |

**NEW RELEASE**  
 EC NO: SH2009-0233  
 DR:WNEZHAO 2008/12/02  
 CHYKD:RZHANG 2008/12/12  
 APPR:HWANG 2008/12/17

QUALITY SYMBOLS

GENERAL TOLERANCES (UNLESS SPECIFIED)

|               | mm     | INCH   |
|---------------|--------|--------|
| 4 PLACES      | ± ---  | ± ---  |
| 3 PLACES      | ± ---  | ± ---  |
| 2 PLACES      | ± 0.25 | ± .010 |
| 1 PLACE       | ± 0.25 | ± .010 |
| ANGULAR ± 3 ° |        |        |

DRAFT WHERE APPLICABLE MUST REMAIN WITHIN DIMENSIONS

DIMENSION STYLE  
**MM ONLY**

SCALE  
**4:1**

DESIGN UNITS  
**METRIC**

THIRD ANGLE PROJECTION

DRAWN BY: DAVID HU  
 CHECKED BY: \_\_\_\_\_  
 APPROVED BY: \_\_\_\_\_

MATERIAL NO.  
**SEE TABLE**

SIZE  
**A3**

TITLE  
**SINGLE PORT UP-RIGHT USB CONNECTOR LEAD-FREE**

**MOLEX INCORPORATED**

DOCUMENT NO.  
**SD-89485-003**

SHEET NO.  
**3 OF 3**

THIS DRAWING CONTAINS INFORMATION THAT IS PROPRIETARY TO MOLEX INCORPORATED AND SHOULD NOT BE USED WITHOUT WRITTEN PERMISSION