

PLEASE CHECK WWW.MOLEX.COM FOR LATEST PART INFORMATION

Part Number: [0015913093](#)
Status: **Active**
Description: 2.54mm (.100") Pitch SL™ Wire-to-Board Header, Low Profile, Surface Mount, Single Row, Right Angle, .120" Pocket, Shrouded, with Press-fit Plastic Peg, 9 Circuits, 0.76µm (30µ") Gold (Au) Selective Plating, Tin (Sn) PC Tail Plating

Documents:

| | |
|---|--|
| 3D Model | Product Specification PS-70400 (PDF) |
| Packaging Specification (PDF) | Product Specification PS-70541 (PDF) |
| Drawing (PDF) | RoHS Certificate of Compliance (PDF) |

Agency Certification

| | |
|-----|---------|
| CSA | LR19980 |
| UL | E29179 |

General

| | |
|----------------|-----------------------|
| Product Family | PCB Headers |
| Series | 70634 |
| Application | Wire-to-Board |
| Product Name | SL™ |

Physical

| | |
|--------------------------------|--------------------------------|
| Breakaway | No |
| Circuits (Loaded) | 9 |
| Circuits (maximum) | 9 |
| Color - Resin | Black |
| Durability (mating cycles max) | 50 |
| Flammability | 94V-0 |
| Glow-Wire Compliant | No |
| Lock to Mating Part | Yes |
| Material - Metal | Brass, Phosphor Bronze |
| Material - Plating Mating | Gold |
| Material - Plating Termination | Tin |
| Material - Resin | High Temperature Thermoplastic |
| Number of Rows | 1 |
| Orientation | Right Angle |
| PCB Locator | Yes |
| PCB Retention | Yes |
| PCB Thickness Recommended (in) | 0.062 In |
| PCB Thickness Recommended (mm) | 1.60 mm |
| Packaging Type | Tube |
| Pitch - Mating Interface (in) | 0.100 In |
| Pitch - Mating Interface (mm) | 2.54 mm |
| Plating min: Mating (µin) | 30 |
| Plating min: Mating (µm) | 0.75 |
| Plating min: Termination (µin) | 75 |
| Plating min: Termination (µm) | 1.875 |
| Polarized to Mating Part | Yes |
| Polarized to PCB | Yes |
| Shrouded | Fully |
| Stackable | No |
| Temperature Range - Operating | -40°C to +105°C |
| Termination Interface: Style | Surface Mount |

Electrical

| | |
|-------------------------------|----|
| Current - Maximum per Contact | 3A |
|-------------------------------|----|



image - Reference only

EU RoHS

ELV and RoHS Compliant
REACH SVHC
 Not Reviewed
Halogen-Free Status
 Not Reviewed

China RoHS



Need more information on product environmental compliance?

Email productcompliance@molex.com
 For a multiple part number RoHS Certificate of Compliance, [click here](#)

Please visit the [Contact Us](#) section for any non-product compliance questions.

Search Parts in this Series

[70634Series](#)

Mates With

[70066n](#) , [70066g](#) , [70430g](#) , [70400g](#) Housing

Voltage - Maximum

250V

Solder Process Data

Lead-free Process Capability
Process Temperature max. C

Reflow Capable (SMT only)
260

Material Info

Old Part Number

70634-0078

Reference - Drawing Numbers

Product Specification
Sales Drawing

PS-70400, PS-70541
SDA-70634-****

This document was generated on 03/30/2010

PLEASE CHECK WWW.MOLEX.COM FOR LATEST PART INFORMATION



KAPTON TAPE
SEE NOTE 6 AND 7



OPTION "E"

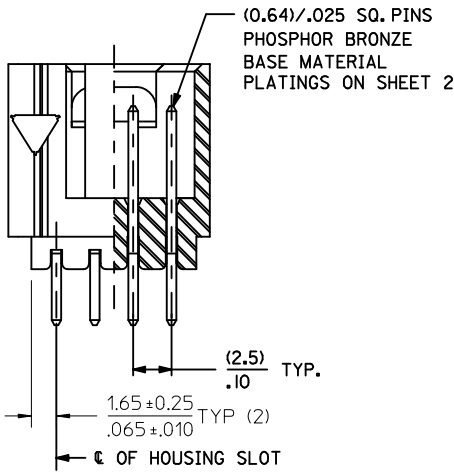


SECTION F-F

NOTES

- HOUSING MATERIAL: HIGH TEMPERATURE GLASS FILLED POLYESTER, 94V-0, COLOR: BLACK.
PIN MATERIAL: PHOSPHOR BRONZE
- HEADER MATES TO 70400-**** AND 70430-**** OPTION "G" SERIES CONNECTORS.
- FOR PACKAGING OPTIONS REFER TO CHART ON SHEET 2.
- SEE SHEET 2 FOR PIN PLATINGS.
- REFER TO MOLEX PRODUCT SPECIFICATION PS-70541.
- SEE CHART ON SHEET 2 TO DETERMINE PART NUMBERS WITH KAPTON TAPE.
- KAPTON TAPE ADDED FOR PICK AND PLACE SYSTEMS. REMOVE KAPTON TAPE AFTER SOLDERING TO PREVENT INTERFERENCE WITH LATCH ON MATING PART.

| CKT. SIZE | "A" | | "B" | | "C" | | "D" | | "E" | |
|-----------|-------|-------|-------|-------|-------|-------|-------|-------|------|------|
| | MM | IN. | MM | IN. | MM | IN. | MM | IN. | MM | IN. |
| 2 | 2.54 | .100 | 5.33 | .210 | 8.64 | .340 | 5.33 | .210 | 0.13 | .005 |
| 3 | 5.08 | .200 | 8.13 | .320 | 11.43 | .450 | 7.87 | .310 | 0.13 | .005 |
| 4 | 7.62 | .300 | 10.67 | .420 | 13.97 | .550 | 10.41 | .410 | 0.13 | .005 |
| 5 | 10.16 | .400 | 13.21 | .520 | 16.51 | .650 | 12.95 | .510 | 0.13 | .005 |
| 6 | 12.70 | .500 | 15.75 | .620 | 19.05 | .750 | 15.49 | .610 | 0.13 | .005 |
| 7 | 15.24 | .600 | 18.29 | .720 | 21.59 | .850 | 18.03 | .710 | 0.13 | .005 |
| 8 | 17.78 | .700 | 20.83 | .820 | 24.13 | .950 | 20.57 | .810 | 0.13 | .005 |
| 9 | 20.32 | .800 | 23.37 | .920 | 26.67 | 1.050 | 23.11 | .910 | 0.13 | .005 |
| 10 | 22.86 | .900 | 25.91 | 1.020 | 29.21 | 1.150 | 25.65 | 1.010 | 0.13 | .005 |
| 11 | 25.40 | 1.000 | 28.45 | 1.120 | 31.75 | 1.250 | 28.19 | 1.110 | 0.13 | .005 |
| 12 | 27.94 | 1.100 | 30.99 | 1.220 | 34.29 | 1.350 | 30.73 | 1.210 | 0.13 | .005 |
| 13 | 30.48 | 1.200 | 33.53 | 1.320 | 36.83 | 1.450 | 33.27 | 1.310 | 0.13 | .005 |
| 14 | 33.02 | 1.300 | 36.07 | 1.420 | 39.37 | 1.550 | 35.81 | 1.410 | 0.13 | .005 |
| 15 | 35.56 | 1.400 | 38.61 | 1.520 | 41.91 | 1.650 | 38.35 | 1.510 | 0.13 | .005 |
| 16 | 38.10 | 1.500 | 41.15 | 1.620 | 44.45 | 1.750 | 40.89 | 1.610 | 0.15 | .006 |
| 17 | 40.64 | 1.600 | 43.69 | 1.720 | 46.99 | 1.850 | 43.43 | 1.710 | 0.15 | .006 |
| 18 | 43.18 | 1.700 | 46.23 | 1.820 | 49.53 | 1.950 | 45.97 | 1.810 | 0.15 | .006 |
| 19 | 45.72 | 1.800 | 48.77 | 1.920 | 52.07 | 2.050 | 48.51 | 1.910 | 0.15 | .006 |
| 20 | 48.26 | 1.900 | 51.31 | 2.020 | 54.61 | 2.150 | 51.05 | 2.010 | 0.15 | .006 |
| 21 | 50.80 | 2.000 | 53.85 | 2.120 | 57.15 | 2.250 | 53.59 | 2.110 | 0.18 | .007 |
| 22 | 53.34 | 2.100 | 56.39 | 2.220 | 59.69 | 2.350 | 56.13 | 2.210 | 0.18 | .007 |
| 23 | 55.88 | 2.200 | 58.93 | 2.320 | 62.23 | 2.450 | 58.67 | 2.310 | 0.18 | .007 |
| 24 | 58.42 | 2.300 | 61.47 | 2.420 | 64.77 | 2.550 | 61.21 | 2.410 | 0.18 | .007 |
| 25 | 60.96 | 2.400 | 64.01 | 2.520 | 67.31 | 2.650 | 63.75 | 2.510 | 0.18 | .007 |



SECTION E-E



RECOMMENDED P.C. BOARD PAD LAYOUT

| | | | | | | | | | |
|---|--------------------------------------|---|---|--------------------------|--------------------|---|----------------------|---|--|
| MODIFY DIM. TOL. EC NO: UCP2010-1709 DRWINMS/BARRA 2010/01/28 CHKD: EIK 1993/06/02 APPR: SMILLER 2010/02/08 | QUALITY SYMBOLS ▽=0 ▽=2 ▽=0 | GENERAL TOLERANCES (UNLESS SPECIFIED) | | DIMENSION STYLE MM/IN | | SCALE 4:1 | DESIGN UNITS INCH | THIRD ANGLE PROJECTION | |
| | | 4 PLACES ± --- ± --- 3 PLACES ± --- ± .005 2 PLACES ± 0.13 ± .010 1 PLACE ± 0.25 ± --- | mm INCH ± --- ± --- ± .005 ± .010 ± 0.13 ± --- | DRAWN BY EIK | DATE 1993/06/02 | CHECKED BY EIK | DATE 1993/06/02 | SALES ASSEMBLY SMT HEADER - RIGHT ANGLE .100 CENTERS W/PCB PEGS | |
| DRAFT WHERE APPLICABLE MUST REMAIN WITHIN DIMENSIONS | | APPROVED BY SMILLER | | DATE 2010/02/08 | | MOLEX MOLEX INCORPORATED | | | |
| MATERIAL NO. SEE TABLE | | DOCUMENT NO. SDA-70634-**** | | SHEET NO. 1 OF 2 | | THIS DRAWING CONTAINS INFORMATION THAT IS PROPRIETARY TO MOLEX INCORPORATED AND SHOULD NOT BE USED WITHOUT WRITTEN PERMISSION | | | |

| 13 | 12 | 11 | 10 | 9 | 8 | 7 | 6 | 5 | 4 | 3 | 2 | 1 |
|----|--------------------------------|----------------------------|----|---|---|---------------------------|-------------------------------|--|--------------------|-------------|--------------|-------------------------|
| J | ENGINEERING NUMBER A-70634- | MANUFACTURE RELEASE STATUS | | | | PLATING TYPE SEE BELOW | CONNECTOR END PLATING TYPE | P.C. BOARD END PLATING H MEASURE POINT | K MEASURE POINT | KAPTON TAPE | OPTION | PACKAGE PER PK-70873 |
| | -0001-0024 | R.F.M. | | | | TIN | TIN | (2.54) .100 | (1.27) .050 | NO | TUBE | -016 |
| | -0036-0059 | R.F.M. | | | | 15 GOLD | GOLD | (2.54) .100 | (1.27) .050 | NO | TUBE | -016 |
| | -0071-0094 | R.F.M. | | | | 30 GOLD | GOLD | (2.54) .100 | (1.27) .050 | NO | TUBE | -016 |
| | -0106-0129 | R.F.M. | | | | TIN | TIN | (2.54) .100 | (1.27) .050 | YES | CARRIER TAPE | -001 |
| | -0141-0164 | R.F.M. | | | | 15 GOLD | GOLD | (2.54) .100 | (1.27) .050 | YES | CARRIER TAPE | -001 |
| H | -0176-0199 | R.F.M. | | | | 30 GOLD | GOLD | (2.54) .100 | (1.27) .050 | YES | CARRIER TAPE | -001 |

| CKTS | EDP NUMBER | ENG NUMBER | EDP NUMBER | ENG NUMBER | EDP NUMBER | ENG NUMBER | EDP NUMBER | ENG NUMBER | EDP NUMBER | ENG NUMBER | EDP NUMBER | ENG NUMBER | EDP NUMBER | ENG NUMBER | CKTS |
|------|------------|--------------|------------|--------------|------------|--------------|------------|--------------|------------|--------------|------------|--------------|------------|------------|------|
| 02 | 15-91-3024 | A-70634-0001 | 15-91-2025 | A-70634-0036 | 15-91-3023 | A-70634-0071 | 15-91-6029 | A-70634-0106 | 15-91-7020 | A-70634-0141 | 15-91-7021 | A-70634-0176 | | | 02 |
| 03 | 15-91-3034 | A-70634-0002 | 15-91-2035 | A-70634-0037 | 15-91-3033 | A-70634-0072 | 15-91-6039 | A-70634-0107 | 15-91-7030 | A-70634-0142 | 15-91-7031 | A-70634-0177 | | | 03 |
| 04 | 15-91-3044 | A-70634-0003 | 15-91-2045 | A-70634-0038 | 15-91-3043 | A-70634-0073 | 15-91-6049 | A-70634-0108 | 15-91-7040 | A-70634-0143 | 15-91-7041 | A-70634-0178 | | | 04 |
| 05 | 15-91-3054 | A-70634-0004 | 15-91-2055 | A-70634-0039 | 15-91-3053 | A-70634-0074 | 15-91-6059 | A-70634-0109 | 15-91-7050 | A-70634-0144 | 15-91-7051 | A-70634-0179 | | | 05 |
| 06 | 15-91-3064 | A-70634-0005 | 15-91-2065 | A-70634-0040 | 15-91-3063 | A-70634-0075 | 15-91-6069 | A-70634-0110 | 15-91-7060 | A-70634-0145 | 15-91-7061 | A-70634-0180 | | | 06 |
| 07 | 15-91-3074 | A-70634-0006 | 15-91-2075 | A-70634-0041 | 15-91-3073 | A-70634-0076 | 15-91-6079 | A-70634-0111 | 15-91-7070 | A-70634-0146 | 15-91-7071 | A-70634-0181 | | | 07 |
| 08 | 15-91-3084 | A-70634-0007 | 15-91-2085 | A-70634-0042 | 15-91-3083 | A-70634-0077 | 15-91-6089 | A-70634-0112 | 15-91-7080 | A-70634-0147 | 15-91-7081 | A-70634-0182 | | | 08 |
| 09 | 15-91-3094 | A-70634-0008 | 15-91-2095 | A-70634-0043 | 15-91-3093 | A-70634-0078 | 15-91-6099 | A-70634-0113 | 15-91-7090 | A-70634-0148 | 15-91-7091 | A-70634-0183 | | | 09 |
| 10 | 15-91-3104 | A-70634-0009 | 15-91-2105 | A-70634-0044 | 15-91-3103 | A-70634-0079 | 15-91-6109 | A-70634-0114 | 15-91-7100 | A-70634-0149 | 15-91-7101 | A-70634-0184 | | | 10 |
| 11 | 15-91-3114 | A-70634-0010 | 15-91-2115 | A-70634-0045 | 15-91-3113 | A-70634-0080 | 15-91-6119 | A-70634-0115 | 15-91-7110 | A-70634-0150 | 15-91-7111 | A-70634-0185 | | | 11 |
| 12 | 15-91-3124 | A-70634-0011 | 15-91-2125 | A-70634-0046 | 15-91-3123 | A-70634-0081 | 15-91-6129 | A-70634-0116 | 15-91-7120 | A-70634-0151 | 15-91-7121 | A-70634-0186 | | | 12 |
| 13 | 15-91-3134 | A-70634-0012 | 15-91-2135 | A-70634-0047 | 15-91-3133 | A-70634-0082 | 15-91-6139 | A-70634-0117 | 15-91-7130 | A-70634-0152 | 15-91-7131 | A-70634-0187 | | | 13 |
| 14 | 15-91-3144 | A-70634-0013 | 15-91-2145 | A-70634-0048 | 15-91-3143 | A-70634-0083 | 15-91-6149 | A-70634-0118 | 15-91-7140 | A-70634-0153 | 15-91-7141 | A-70634-0188 | | | 14 |
| 15 | 15-91-3154 | A-70634-0014 | 15-91-2155 | A-70634-0049 | 15-91-3153 | A-70634-0084 | 15-91-6159 | A-70634-0119 | 15-91-7150 | A-70634-0154 | 15-91-7151 | A-70634-0189 | | | 15 |
| 16 | 15-91-3164 | A-70634-0015 | 15-91-2165 | A-70634-0050 | 15-91-3163 | A-70634-0085 | 15-91-6169 | A-70634-0120 | 15-91-7160 | A-70634-0155 | 15-91-7161 | A-70634-0190 | | | 16 |
| 17 | 15-91-3174 | A-70634-0016 | 15-91-2175 | A-70634-0051 | 15-91-3173 | A-70634-0086 | 15-91-6179 | A-70634-0121 | 15-91-7170 | A-70634-0156 | 15-91-7171 | A-70634-0191 | | | 17 |
| 18 | 15-91-3184 | A-70634-0017 | 15-91-2185 | A-70634-0052 | 15-91-3183 | A-70634-0087 | 15-91-6189 | A-70634-0122 | 15-91-7180 | A-70634-0157 | 15-91-7181 | A-70634-0192 | | | 18 |
| 19 | 15-91-3194 | A-70634-0018 | 15-91-2195 | A-70634-0053 | 15-91-3193 | A-70634-0088 | 15-91-6199 | A-70634-0123 | 15-91-7190 | A-70634-0158 | 15-91-7191 | A-70634-0193 | | | 19 |
| 20 | 15-91-3204 | A-70634-0019 | 15-91-2205 | A-70634-0054 | 15-91-3203 | A-70634-0089 | 15-91-6209 | A-70634-0124 | 15-91-7200 | A-70634-0159 | 15-91-7201 | A-70634-0194 | | | 20 |
| 21 | 15-91-3214 | A-70634-0020 | 15-91-2215 | A-70634-0055 | 15-91-3213 | A-70634-0090 | 15-91-6219 | A-70634-0125 | 15-91-7210 | A-70634-0160 | 15-91-7211 | A-70634-0195 | | | 21 |
| 22 | 15-91-3224 | A-70634-0021 | 15-91-2225 | A-70634-0056 | 15-91-3223 | A-70634-0091 | 15-91-6229 | A-70634-0126 | 15-91-7220 | A-70634-0161 | 15-91-7221 | A-70634-0196 | | | 22 |
| 23 | 15-91-3234 | A-70634-0022 | 15-91-2235 | A-70634-0057 | 15-91-3233 | A-70634-0092 | 15-91-6239 | A-70634-0127 | 15-91-7230 | A-70634-0162 | 15-91-7231 | A-70634-0197 | | | 23 |
| 24 | 15-91-3244 | A-70634-0023 | 15-91-2245 | A-70634-0058 | 15-91-3243 | A-70634-0093 | 15-91-6249 | A-70634-0128 | 15-91-7240 | A-70634-0163 | 15-91-7241 | A-70634-0198 | | | 24 |
| 25 | 15-91-3254 | A-70634-0024 | 15-91-2255 | A-70634-0059 | 15-91-3253 | A-70634-0094 | 15-91-6259 | A-70634-0129 | 15-91-7250 | A-70634-0164 | 15-91-7251 | A-70634-0199 | | | 25 |

PLATING TYPE

TIN TIN (Sn) OVER ENTIRE PIN; THICKNESS=(3.75 MICROMETER)/75 MICROINCH MINIMUM; NICKEL (Ni) UNDERPLATE OVER ENTIRE PIN.

15 GOLD SELECTIVE GOLD (Au) IN THE CONTACT AREA; THICKNESS=(0.37 MICROMETER)/15 MICROINCH MINIMUM; SELECTIVE TIN (Sn) IN THE PC TAIL AREA; THICKNESS=(1.88 MICROMETER)/75 MICROINCH MINIMUM; NICKEL (Ni) UNDERPLATE OVER ENTIRE PIN.

30 GOLD SELECTIVE GOLD (Au) IN THE CONTACT AREA; THICKNESS=(0.75 MICROMETER)/30 MICROINCH MINIMUM; SELECTIVE TIN (Sn) IN THE PC TAIL AREA; THICKNESS=(1.88 MICROMETER)/75 MICROINCH MINIMUM; NICKEL (Ni) UNDERPLATE OVER ENTIRE PIN.

| | | | | | | | | |
|---|--------------------------------------|--|--|-----------------|--------------------|--|--------------|------------------------|
| SEE SHEET 1 EC NO: UCP2010-1709 DRWN:MSI BARRA 2010/01/28 CHKD:HEIK 1993/06/02 APPR:SMILLER 2010/02/08 | QUALITY SYMBOLS ▽=0 ▽=0 ▽=0 | GENERAL TOLERANCES (UNLESS SPECIFIED) | | DIMENSION STYLE | | SCALE | DESIGN UNITS | THIRD ANGLE PROJECTION |
| | | | | MM/IN | | INCH | INCH | |
| | | | | DRAWN BY | DATE | TITLE | | |
| | | | | CHECKED BY | DATE | SALES ASSEMBLY SMT HEADER - RIGHT ANGLE .100 CENTERS W/PCB PEGS | | |
| | | APPROVED BY | | DATE | MOLEX INCORPORATED | | DOCUMENT NO. | |
| | | SMILLER | | 2010/02/08 | SDA-70634-**** | | SHEET NO. | |
| | | ANGULAR ±1/2° | | SEE TABLE | | 2 OF 2 | | |
| | | DRAFT WHERE APPLICABLE MUST REMAIN WITHIN DIMENSIONS | | SIZE | | THIS DRAWING CONTAINS INFORMATION THAT IS PROPRIETARY TO MOLEX INCORPORATED AND SHOULD NOT BE USED WITHOUT WRITTEN PERMISSION | | |