

Step-Up White-LED Driver for Mid-size or Large Panel

www.datasheet4u.com

General Description

The CP2122 is a step-up DC/DC converter specifically designed for driving white LEDs with a constant current. Operation at a fixed switching frequency of 1.4MHz allows the device to be used with small value external ceramic capacitors and inductors. Series connection of LEDs provides equal LED current which results in uniform brightness. 300mV feedback voltage minimizes the power loss in the current setting resistor for better efficiency. The CP2122 high-voltage output stage is ideal for driving parallel strings of up to seven white LEDs in series or up to 34V. The CP2122 features an internal soft start to eliminate inrush current during startup. Equipped with built-in over-voltage protection function, the device enters a very low power operating mode during the "OPEN LED" fault conditions. The CP2122 is available in SOT23-5L package.



SOT23-5L
-40°C~85°C

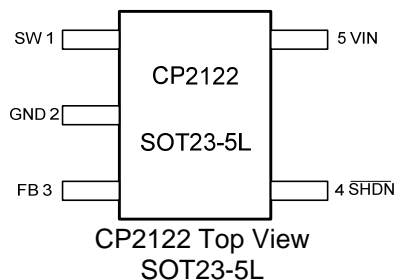
Features

- Switch current limit 700mA
- Drives LED strings up to 34V
- Up to 84% efficiency
- Soft start "in-rush" current limiting
- Fast 1.4 MHz switching frequency
- Built-in over-voltage protection
- Shutdown current: <math><1 \mu A</math>
- Low profile SOT23-5L package

Applications

- Portable navigation devices
- Digital photo frames
- Portable media players
- Personal digital assistants
- Portable game machines

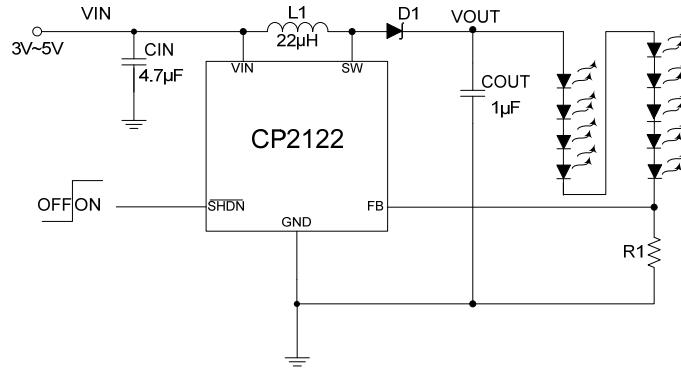
Pin Configurations



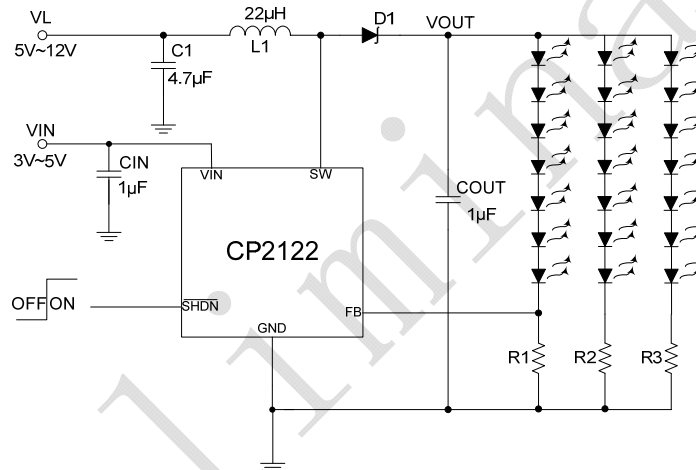
Step-Up White-LED Driver for Mid-size or Large Panel

Typical Application Circuits

www.datasheet4u.com



CP2122 Driving 9 LEDs



CP2122 Driving 21 LEDs

Contact with Chiphomer

4F, Building D, 1618 Yishan Road Shanghai, 201103, P.R.C.
 Tel: (86)21-64014543 64058488
 Fax: (86)21-64050030
 Sale: sales@chiphomer.com
 Technical support: support@chiphomer.com
 Web site: www.chiphomer.com

Shenzhen Office:

10D, Building 2, Dushi Yangguang Garden CheGongMiao, Futian District, Shenzhen, 518048, P.R.C.
 Tel: (86)755-82046706 82047789
 Fax: (86)755-8204670