

Features

- 144 Pin JEDEC Standard, 8 Byte Small Outline Dual In-line Memory Module with 8 Byte busses
- 1Mx64 Extended Data Out SODIMM
- Performance:

		-60	-70
t_{RAC}	RAS Access Time	60ns	70ns
t_{CAC}	CAS Access Time	15ns	20ns
t_{AA}	Access Time From Address	30ns	35ns
t_{RC}	Cycle Time	104ns	124ns
t_{HPC}	EDO Mode Cycle Time	25ns	30ns

- All inputs and outputs are LVTTTL (3.3V) compatible
- Single 3.3V \pm 0.3V Power Supply
- Au contacts

- Optimized for byte-write non-parity applications
- System Performance Benefits:
 - Reduced noise (18 V_{SS} /18 V_{CC} pins)
 - Byte write, byte read accesses
 - Serial PDs
- Extended Data Out (EDO) Mode, Read-Modify-Write Cycles
- Refresh Modes: \overline{RAS} -Only, CBR Hidden Refresh, and Self Refresh
- 2048 refresh cycles distributed across 128ms
- 11/10 addressing (Row/Column)
- Card size: 2.66" x 1.0" x 0.149"
- DRAMS in TSOP Package

Description

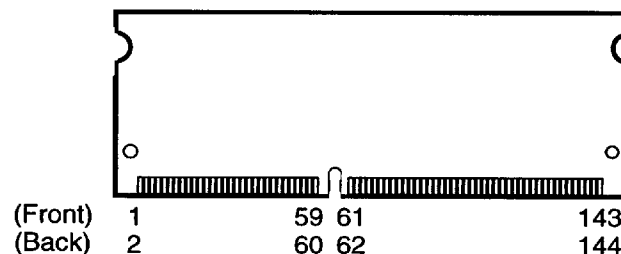
IBM11T2645H is an industry standard 144-pin 8-byte Small Outline Dual In-line Memory Module (SODIMM) which is organized as a 2Mx64 high speed memory array designed for use in non-parity applications. The DIMM uses 8 2Mx8 EDO DRAMS in TSOP packages. The use of EDO DRAMs allows for a reduction in Page Mode Cycle time from 40ns (Fast Page) to 25ns for 60ns EDO modules.

This card uses *serial presence detects* implemented via a serial EEPROM using the two pin I^2C Protocol. This communication protocol uses CLOCK (SCL)

and DATA I/O (SDA) lines to synchronously clock data between the master (ex: The System Microprocessor) and the slave EEPROM device. The device address for the EEPROM is set to zero at the card. The first 128 bytes are utilized by the SODIMM manufacturer and the second 128 bytes are available to the end user.

All IBM 144-pin SODIMMs provide a high performance, flexible 8-byte interface in a 2.66" long space-saving footprint. Related products are the 1Mx64, 4Mx64 and the x72 (ECC) SODIMMs.

Card Outline (3.3V)





2M x 64 144 PIN SODIMM

Pin Description

RAS0	Row Address Strobe
CAS0 - CAS7	Column Address Strobe
WE	Read/write Input
OE	Output Enable
A0 - A10	Address Inputs
DQ0 - DQ63	Data Input/Output
Vcc	Power (3.3V)
Vss	Ground
NC	No Connect
SCL	Serial Presence Detect Clock Input
SDA	Serial Presence Detect Data Input

Pinout

Pin#	Front Side	Pin#	Back Side	Pin#	Front Side	Pin#	Back Side
1	Vss	2	Vss	73	OE	74	NC
3	DQ0	4	DQ32	75	Vss	76	Vss
5	DQ1	6	DQ33	77	NC	78	NC
7	DQ2	8	DQ34	79	NC	80	NC
9	DQ3	10	DQ35	81	Vcc	82	Vcc
11	Vcc	12	Vcc	83	DQ16	84	DQ48
13	DQ4	14	DQ36	85	DQ17	86	DQ49
15	DQ5	16	DQ37	87	DQ18	88	DQ50
17	DQ6	18	DQ38	89	DQ19	90	DQ51
19	DQ7	20	DQ39	91	Vss	92	Vss
21	Vss	22	Vss	93	DQ20	94	DQ52
23	CAS0	24	CAS4	95	DQ21	96	DQ53
25	CAS1	26	CAS5	97	DQ22	98	DQ54
27	Vcc	28	Vcc	99	DQ23	100	DQ55
29	A0	30	A3	101	Vcc	102	Vcc
31	A1	32	A4	103	A6	104	A7
33	A2	34	A5	105	A8	106	A11
35	Vss	36	Vss	107	Vss	108	Vss
37	DQ8	38	DQ40	109	A9	110	A12
39	DQ9	40	DQ41	111	A10	112	A13
41	DQ10	42	DQ42	113	Vcc	114	Vcc
43	DQ11	44	DQ43	115	CAS2	116	CAS6
45	Vcc	46	Vcc	117	CAS3	118	CAS7
47	DQ12	48	DQ44	119	Vss	120	Vss
49	DQ13	50	DQ45	121	DQ24	122	DQ56
51	DQ14	52	DQ46	123	DQ25	124	DQ57
53	DQ15	54	DQ47	125	DQ26	126	DQ58
55	Vss	56	Vss	127	DQ27	128	DQ59
57	NC	58	NC	129	Vcc	130	Vcc
59	NC	60	NC	131	DQ28	132	DQ60
VOLTAGE KEY				133	DQ29	134	DQ61
61	DU	62	DU	135	DQ30	136	DQ62
63	Vcc	64	Vcc	137	DQ31	138	DQ63
65	DU	66	DU	139	Vss	140	Vss
67	WE	68	NC	141	SDA	142	SCL
69	RAS0	70	NC	143	Vcc	144	Vcc
71	NC	72	NC				

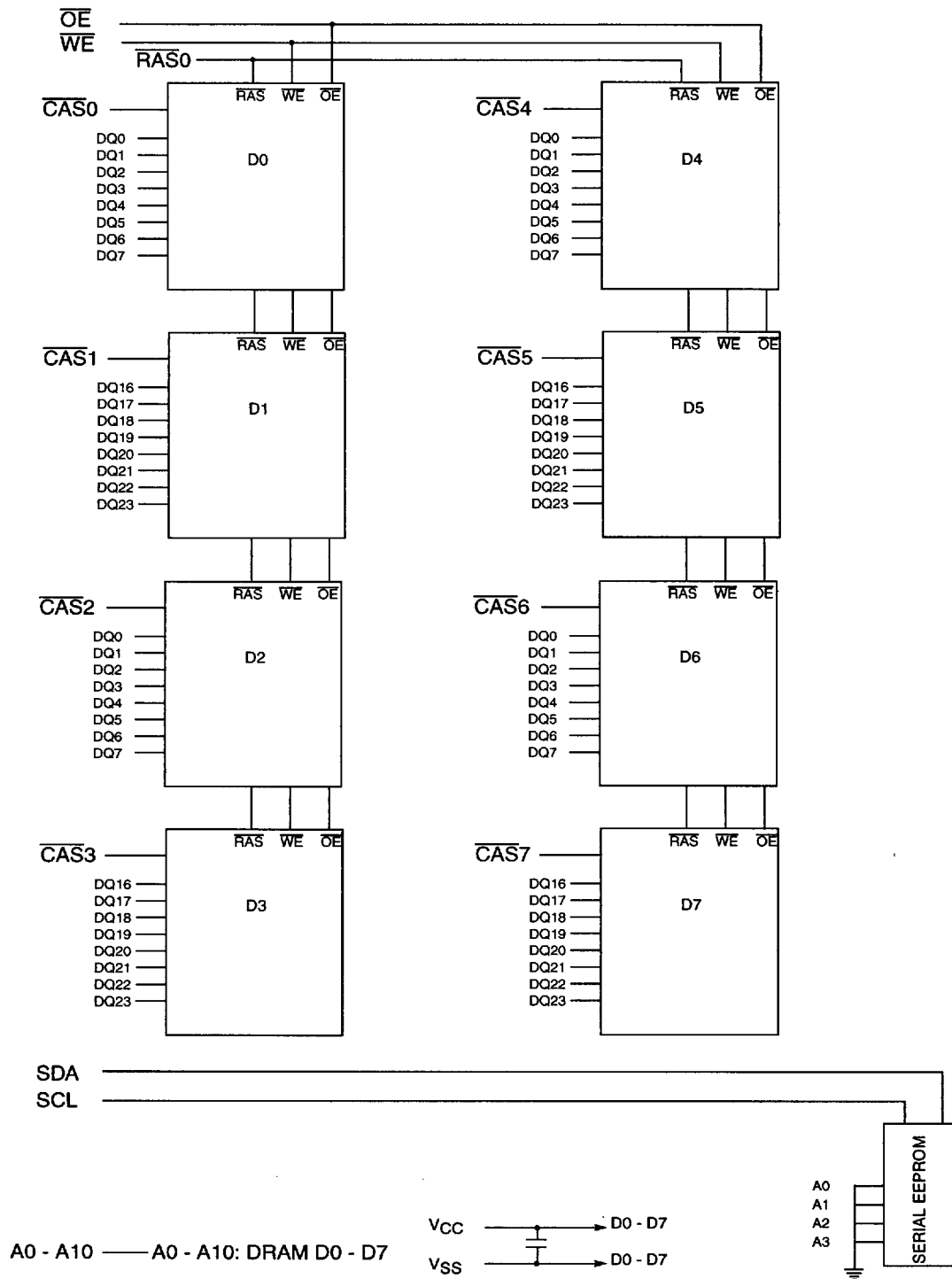
Note: All pin assignments are consistent for all 8 Byte versions.

Ordering Information

Part Number	Organization	Speed	Leads	Dimension	Power	DRAM Die Revision	Notes
IBM11T2645HPA-60	2Mx64	60ns	Au	2.66"x1.0"x 0.149"	3.3V	D	
IBM11T2645HPA-70	2Mx64	70ns	Au	2.66"x1.0"x 0.149"	3.3V	D	



Block Diagram



Truth Table

Function	\overline{RAS}	\overline{CAS}	\overline{WE}	\overline{OE}	Row Address	Column Address	DQx	
Standby	H	X	X	X	X	X	High Impedance	
Read	L	L	H	L	Row	Col	Valid Data Out	
Early-Write	L	L	L	X	Row	Col	Valid Data In	
Late-Write	L	L	H→L	H	Row	Col	Valid Data In	
RMW	L	L	H→L	L→H	Row	Col	Valid Data In/Out	
EDO Page Mode - Read 1st Cycle	L	H→L	H	L	Row	Col	Valid Data Out	
Subsequent Cycles	L	H→L	H	L	N/A	Col	Valid Data Out	
EDO Page Mode - Write 1st Cycle	L	H→L	L	X	Row	Col	Valid Data In	
Subsequent Cycles	L	H→L	L	X	N/A	Col	Valid Data In	
EDO Page Mode - RMW 1st Cycle	L	H→L	H→L	L→H	Row	Col	Valid Data In/Out	
Subsequent Cycles	L	H→L	H→L	L→H	N/A	Col	Valid Data In/Out	
\overline{RAS} -Only Refresh	L	H	X	X	Row	N/A	High Impedance	
\overline{CAS} -Before- \overline{RAS} Refresh	H→L	L	H	X	X	X	High Impedance	
Hidden Refresh	Read	L→H→L	L	H	L	Row	Col	Data Out
	Write	L→H→L	L	H	X	Row	Col	Data In
Self Refresh	H→L	L	H	X	X	X	High Impedance	

Serial Presence Detect

Byte #	Description	SPD Entry Value	SPD Entry								Hex	
			Binary									
			Bit 7	Bit 6	Bit5	Bit4	Bit3	Bit2	Bit1	Bit0		
0	Number of SPD Bytes	128	1	0	0	0	0	0	0	0	0	80
1	Total # Bytes in Serial PD	256	0	0	0	0	1	0	0	0	0	08
2	Memory Type	EDO	0	0	0	0	0	0	1	0	0	02
3	# of Row Addresses	11	0	0	0	0	1	0	1	1	1	0B
4	# of Column Addresses	10	0	0	0	0	1	0	1	0	0	0A
5	# of Soddimm Banks	1	0	0	0	0	0	0	0	0	1	01
6	Module Data Width	64	0	1	0	0	0	0	0	0	0	40
7	Module Data Width (Cont.)	0	0	0	0	0	0	0	0	0	0	00
8	Module Interface Levels	LVTTTL	0	0	0	0	0	0	0	0	1	01
9	Ras Access	60ns	60	0	0	1	1	1	1	0	0	3C
		70ns	70	0	1	0	0	0	1	1	0	46
10	Cas Access	15ns	15	0	0	0	0	1	1	1	1	0F
		20ns	20	0	0	0	1	0	1	0	0	14
11	Dimm Config(Error Det/Corr.)	None	0	0	0	0	0	0	0	0	0	00
12	Refresh Rate/Type	SR/4x(62.5us)	1	0	0	0	0	1	0	0	0	84

Absolute Maximum Ratings

Symbol	Parameter	Rating (3.3V)	Units	Notes
V _{CC}	Power Supply Voltage	-0.5 to +4.6	V	1
V _{IN}	Input Voltage	-0.5 to min (V _{CC} + 0.5, 4.6)	V	1
V _{IN/OUT} (SPD)	Input Voltage(Serial PD Device)	-0.3 to 6.5	V	1
V _{OUT}	Output Voltage	-0.5 to min (V _{CC} + 0.5, 4.6)	V	1
T _{OPR}	Operating Temperature	0 to +70	°C	1
T _{STG}	Storage Temperature	-55 to +150	°C	1
P _D	Power Dissipation	3.6	W	1
I _{OUT}	Short Circuit Output Current	50	mA	1

1. Stresses greater than those listed may cause permanent damage to the device. This is a stress rating only and functional operation of the device at these or any other conditions above those indicated is not implied. Exposure to absolute maximum rating condition for extended periods may affect reliability.

Recommended DC Operating Conditions (T_A = 0 to 70°C)

Symbol	Parameter	3.3V			Units	Notes
		Min	Typ	Max		
V _{CC}	Supply Voltage	3.0	3.3	3.6	V	1
V _{IH}	Input High Voltage	2.0	—	V _{CC} + 0.5	V	1, 2
V _{IH} (SPD)	Input High Voltage(Serial PD Device)	V _{CC} × 0.7	—	V _{CC} + 0.5	V	1, 2
V _{IL}	Input Low Voltage	-0.5	—	0.8	V	1, 2
V _{IL} (SPD)	Input Low Voltage(Serial PD Device)	-0.3	—	V _{CC} × 0.3	V	1, 2
V _{OL} (SPD)	Output Low Voltage(Serial PD Device) I _{OL} = 3ma	—	—	0.4	V	

1. All voltages referenced to V_{SS}.
 2. V_{IH} may overshoot to V_{CC} + 1.2V for pulse widths of ≤ 4.0ns. Additionally, V_{IL} may undershoot to -1.2V for pulse widths ≤ 4.0ns. Pulse widths measured at 50% points with amplitude measured peak to DC reference.

Capacitance (T_A = 0 to +70°C, V_{CC} = 3.3V ± 0.3V)

Symbol	Parameter	Max	Units	Notes
C _{I1}	Input Capacitance (A0-A9)	55	pF	
C _{I2}	Input Capacitance (RAS, WE, OE)	68	pF	
C _{I3}	Input Capacitance (CAS)	12	pF	
C _{I4}	Input Capacitance (SCL)	8	pF	
C _{IO1}	Input/Output Capacitance (DQ0-63)	11	pF	
C _{IO2}	Input/Output Capacitance (SDA)	10	pF	

DC Electrical Characteristics ($T_A = 0$ to $+70^\circ\text{C}$, $V_{CC} = 3.3\text{V} \pm 0.3\text{V}$)

Symbol	Parameter	3.3 Volt		Units	Notes	
		Min.	Max.			
I_{CC1}	Operating Current Average Power Supply Operating Current ($\overline{\text{RAS}}$, $\overline{\text{CAS}}$, Address Cycling: $t_{RC} = t_{RC}$ min.)	-60	—	1000	mA	1, 2, 3
		-70	—	880		
I_{CC2}	Standby Current (TTL) Power Supply Standby Current ($\overline{\text{RAS}} = \overline{\text{CAS}} = V_{IH}$)	—	—	16.1	mA	
I_{CC3}	RAS Only Refresh Current Average Power Supply Current, $\overline{\text{RAS}}$ Only Mode (RAS Cycling, $\overline{\text{CAS}} = V_{IH}$: $t_{RC} = t_{RC}$ min)	-60	—	1000	mA	1, 3
		-70	—	880		
I_{CC4}	EDO Page Mode Current Average Power Supply Current, EDO Page Mode ($\overline{\text{RAS}} = V_{IL}$, $\overline{\text{CAS}}$, Address Cycling: $t_{PC} = t_{PC}$ min)	-60	—	1000	mA	1, 2, 3
		-70	—	880		
I_{CC5}	Standby Current (CMOS) Power Supply Standby Current ($\overline{\text{RAS}} = \overline{\text{CAS}} = V_{CC} - 0.2\text{V}$)	—	—	1.7	mA	
I_{CC6}	CAS Before $\overline{\text{RAS}}$ Refresh Current Average Power Supply Current during Self Refresh CBR cycle with $\overline{\text{RAS}}$, $\overline{\text{CAS}}$, Cycling: $t_{RC} = t_{RC}$ min)	-60	—	1000	mA	1, 3
		-70	—	880		
I_{CC7}	Self Refresh Current Average Power Supply Current during Self Refresh CBR cycle with $\overline{\text{RAS}} \geq t_{RASS}$ (min); $\overline{\text{CAS}}$ held low; $\overline{\text{WE}} = V_{CC} - 0.2\text{V}$; Addresses and $D_{IN} = V_{CC} - 0.2\text{V}$ OR 0.2.	—	—	1.6	mA	
$I_{I(L)}$	Input Leakage Current Input Leakage Current, any input ($0.0 \leq V_{IN} \leq (V_{CC} + 0.3\text{V})$), All Other Pins Not Under Test = 0V x=y	$\overline{\text{RAS}}$, $\overline{\text{WE}}$, $\overline{\text{OE}}$, $\overline{\text{ADD}}$	-80	+80	μA	
		$\overline{\text{CAS}}$	-10	+10		
$I_{O(L)}$	Output Leakage Current (D_{OUT} is disabled, $0.0 \leq V_{OUT} \leq V_{CC}$)	—	—	-10	+10	μA
V_{OH}	Output Level (TTL) Output "H" Level Voltage ($I_{OUT} = -5\text{mA}$)	—	—	2.4	V_{CC}	V
V_{OL}	Output Level (TTL) Output "L" Level Voltage ($I_{OUT} = +4.2\text{mA}$)	—	—	0.0	0.4	V

1. I_{CC1} , I_{CC3} , I_{CC4} and I_{CC6} depend on cycle rate.
2. I_{CC1} and I_{CC4} depend on output loading. Specified values are obtained with the output open.
3. Address can be changed once or less while $\overline{\text{RAS}} = V_{IL}$. In the case of I_{CC4} , it can be changed once or less when $\overline{\text{CAS}} = V_{IH}$.

AC Characteristics ($T_A = 0$ to $+70^\circ\text{C}$, $V_{CC} = 3.3\text{V} \pm 0.3\text{V}$)

1. An initial pause of $200\mu\text{s}$ is required after power-up followed by 8 $\overline{\text{RAS}}$ only refresh cycles before proper device operation is achieved. In case of using the internal refresh counter, a minimum of 8 $\overline{\text{CAS}}$ before $\overline{\text{RAS}}$ refresh cycles instead of 8 $\overline{\text{RAS}}$ only refresh cycles is required.
2. AC measurements assume $t_f=2\text{ns}$.
3. $V_{IH}(\text{min.})$ and $V_{IL}(\text{max.})$ are reference levels for measuring timing of input signals. Also, transition times are measured between V_{IH} and V_{IL} .
4. Valid column addresses are A0 through A9.
5. AC measurements assume $t_f=2\text{ns}$.

Read, Write, Read-Modify-Write and Refresh Cycles (Common Parameters)

Symbol	Parameter	-60		-70		Unit	Notes
		Min	Max	Min	Max		
t_{RC}	Random Read or Write Cycle Time	104	—	124	—	ns	
t_{RP}	$\overline{\text{RAS}}$ Precharge Time	40	—	50	—	ns	
t_{CP}	$\overline{\text{CAS}}$ Precharge Time	10	—	10	—	ns	
t_{RAS}	$\overline{\text{RAS}}$ Pulse Width	60	10K	70	10K	ns	
t_{CAS}	$\overline{\text{CAS}}$ Pulse Width	10	10K	12	10K	ns	
t_{ASR}	Row Address Setup Time	0	—	0	—	ns	
t_{RAH}	Row Address Hold Time	10	—	10	—	ns	
t_{ASC}	Column Address Setup Time	0	—	0	—	ns	
t_{CAH}	Column Address Hold Time	10	—	12	—	ns	
t_{RCD}	$\overline{\text{RAS}}$ to $\overline{\text{CAS}}$ Delay Time	14	45	14	50	ns	1
t_{RAD}	$\overline{\text{RAS}}$ to Column Address Delay Time	12	30	12	35	ns	2
t_{RSH}	$\overline{\text{RAS}}$ Hold Time	10	—	12	—	ns	
t_{CSH}	$\overline{\text{CAS}}$ Hold Time	50	—	55	—	ns	
t_{CRP}	$\overline{\text{CAS}}$ to $\overline{\text{RAS}}$ Precharge Time	5	—	5	—	ns	
t_{OED}	$\overline{\text{OE}}$ to D_{IN} Delay Time	15	—	20	—	ns	3
t_{DZO}	$\overline{\text{OE}}$ Delay Time from D_{IN}	0	—	0	—	ns	4
t_{DZC}	$\overline{\text{CAS}}$ Delay Time from D_{IN}	0	—	0	—	ns	4
t_f	Transition Time (Rise and Fall)	2	30	2	30	ns	

1. Operation within the $t_{RCD}(\text{max})$ limit ensures that $t_{RAC}(\text{max})$ can be met. The $t_{RCD}(\text{max})$ is specified as a reference point only: If t_{RCD} is greater than the specified $t_{RCD}(\text{max})$ limit, then access time is controlled by t_{CAC} .
2. Operation within the $t_{RAD}(\text{max})$ limit ensures that $t_{RAC}(\text{max})$ can be met. The $t_{RAD}(\text{max})$ is specified as a reference point only: If t_{RAD} is greater than the specified $t_{RAD}(\text{max})$ limit, then access time is controlled by t_{AA} .
3. Either t_{CDD} or t_{ODD} must be satisfied.
4. Either t_{DZC} or t_{DZO} must be satisfied.

Write Cycle

Symbol	Parameter	-60		-70		Unit	Notes
		Min	Max	Min	Max		
t_{WCS}	Write Command Set Up Time	0	—	0	—	ns	1
t_{WCH}	Write Command Hold Time	10	—	12	—	ns	
t_{WP}	Write Command Pulse Width	10	—	12	—	ns	
t_{RWL}	Write Command to \overline{RAS} Lead Time	10	—	12	—	ns	
t_{CWL}	Write Command to \overline{CAS} Lead Time	10	—	12	—	ns	
t_{DS}	D_{IN} Setup Time	0	—	0	—	ns	2
t_{DH}	D_{IN} Hold Time	10	—	12	—	ns	2

- t_{WCS} , t_{RWD} , t_{CWD} , t_{AWD} , and t_{CPW} are not restrictive parameters. They are included in the data sheet as electrical characteristics only. If $t_{WCS} \geq t_{WCS}(\text{min.})$, the entire cycle is an early write cycle and the data pin will remain open circuit (high impedance) through the entire cycle; if $t_{RWD} \geq t_{RWD}(\text{min.})$, $t_{CWD} \geq t_{CWD}(\text{min.})$, $t_{AWD} \geq t_{AWD}(\text{min.})$ and $t_{CPW} \geq t_{CPW}(\text{min.})$ (Fast Page Mode), the cycle is a Read-Modify-Write cycle and the data will contain read from the selected cell; If neither of the above sets of conditions are met, the condition of the data (at access time) is indeterminate.
- These parameters are referenced to \overline{CAS} leading edge in early write cycles and to \overline{WE} leading edge in Read-Modify-Write cycles.

Read Cycle

Symbol	Parameter	-60		-70		Unit	Notes
		Min	Max	Min	Max		
t_{RAC}	Access Time from \overline{RAS}	—	60	—	70	ns	1, 5, 3
t_{CAC}	Access Time from \overline{CAS}	—	15	—	20	ns	1, 3
t_{AA}	Access Time from Address	—	30	—	35	ns	2, 3
t_{OEA}	Access Time from \overline{OE}	—	15	—	20	ns	3
t_{RCS}	Read Command Setup Time	0	—	0	—	ns	
t_{RCH}	Read Command Hold Time to \overline{CAS}	0	—	0	—	ns	4
t_{RRH}	Read Command Hold Time to \overline{RAS}	0	—	0	—	ns	4
t_{RAL}	Column Address to \overline{RAS} Lead Time	30	—	35	—	ns	
t_{CLZ}	\overline{CAS} to Output in Low-Z	0	—	0	—	ns	3
t_{OES}	\overline{OE} setup time prior to \overline{CAS}	5	—	5	—	ns	
t_{ORD}	\overline{OE} setup time prior to \overline{RAS} (Hidden Refresh)	0	—	0	—	ns	
t_{CDD}	\overline{CAS} to D_{IN} Delay Time	15	—	20	—	ns	7
t_{OEZ}	Output Buffer Turn-off Delay from \overline{OE}	—	15	—	20	ns	5
t_{OFF}	Output Buffer Turn-off Delay	—	15	—	20	ns	6, 6

1. Operation within the $t_{RCD}(\max.)$ limit ensures that $t_{RAC}(\max.)$ can be met. $t_{RCD}(\max.)$ is specified as a reference point only. If t_{RCD} is greater than the specified $t_{RCD}(\max.)$ limit, then access time is controlled by t_{CAC} .
2. Operation within the $t_{RAD}(\max.)$ limit ensures that $t_{RAC}(\max.)$ can be met. $t_{RAD}(\max.)$ is specified as a reference point only. If t_{RAD} is greater than the specified $t_{RAD}(\max.)$ limit, then access time is controlled by t_{AA} .
3. Measured with the specified current load and 100pF at $V_{OL} = 0.8V$ and $V_{OH} = 2.0V$.
4. Either t_{RCH} or t_{RRH} must be satisfied for a read cycle.
5. Access time is determined by the latter of t_{RAC} , t_{CAC} , t_{CPA} , t_{AA} , t_{OEA} .
6. $t_{OFF}(\max)$ and $t_{OEZ}(\max)$ define the time at which the output achieves the open circuit condition and is not referenced to output voltage levels.
7. Either t_{CDD} or t_{OED} must be satisfied.
8. t_{OFF} is referenced from the rising edge of \overline{RAS} or \overline{CAS} , whichever is last.

Read-Modify-Write Cycle

Symbol	Parameter	-60		-70		Unit	Notes
		Min	Max	Min	Max		
t_{RWC}	Read-Modify-Write Cycle Time	135	—	162	—	ns	
t_{RWD}	\overline{RAS} to \overline{WE} Delay Time	79	—	94	—	ns	1
t_{CWD}	\overline{CAS} to \overline{WE} Delay Time	34	—	44	—	ns	1
t_{AWD}	Column Address to \overline{WE} Delay Time	49	—	59	—	ns	1
t_{OEh}	\overline{OE} Command Hold Time	10	—	12	—	ns	

1. t_{WCS} , t_{RWD} , t_{CWD} , t_{AWD} , and t_{CPW} are not restrictive parameters. They are included in the data sheet as electrical characteristics only. If $t_{WCS} \geq t_{WCS}(\text{min.})$, the entire cycle is an early write cycle and the data pin will remain open circuit (high impedance) through the entire cycle; if $t_{RWD} \geq t_{RWD}(\text{min.})$, $t_{CWD} \geq t_{CWD}(\text{min.})$, $t_{AWD} \geq t_{AWD}(\text{min.})$ and $t_{CPW} \geq t_{CPW}(\text{min.})$ (Fast Page Mode), the cycle is a Read-Modify-Write cycle and the data will contain read from the selected cell; If neither of the above sets of conditions are met, the condition of the data (at access time) is indeterminate.

EDO Mode Cycle

Symbol	Parameter	-60		-70		Units	Notes
		Min.	Max.	Min.	Max.		
t_{HCAS}	\overline{CAS} Pulse Width (EDO Page Mode)	10	10K	12	10K	ns	
t_{HPC}	EDO Page Mode Cycle Time (Read/Write)	25	—	30	—	ns	
t_{HPRWC}	EDO Page Mode Read Modify Write Cycle Time	60	—	72	—	ns	
t_{DOH}	Data-out Hold Time from \overline{CAS}	5	—	5	—	ns	
t_{WHZ}	Output buffer Turn-Off Delay from \overline{WE}	0	10	0	15	ns	
t_{WPZ}	\overline{WE} Pulse Width to Output Disable at \overline{CAS} High	10	—	10	—	ns	
t_{CPRH}	\overline{RAS} Hold Time from \overline{CAS} Precharge	35	—	40	—	ns	
t_{CPA}	Access Time from \overline{CAS} Precharge	—	35	—	40	ns	1
t_{RASP}	EDO Page Mode \overline{RAS} Pulse Width	60	125K	70	125K	ns	
t_{OEP}	\overline{OE} High Pulse Width	10	—	10	—	ns	
t_{OEHC}	\overline{OE} High Hold Time from \overline{CAS} High	10	—	10	—	ns	

1. Measured with the specified current load and 100pF at $V_{OL} = 0.8V$ and $V_{OH} = 2.0V$.

Refresh Cycle

Symbol	Parameter	-60		-70		Unit	Notes
		Min	Max	Min	Max		
t_{CHR}	\overline{CAS} Hold Time (\overline{CAS} before \overline{RAS} Refresh Cycle)	5	—	5	—	ns	
t_{CSR}	\overline{CAS} Setup Time (\overline{CAS} before \overline{RAS} Refresh Cycle)	10	—	10	—	ns	
t_{WRP}	\overline{WE} Setup Time (\overline{CAS} before \overline{RAS} Refresh Cycle)	10	—	10	—	ns	
t_{WRH}	\overline{WE} Hold Time (\overline{CAS} before \overline{RAS} Refresh Cycle)	10	—	10	—	ns	
t_{RPC}	\overline{RAS} Precharge to \overline{CAS} Hold Time	5	—	5	—	ns	
t_{REF}	Refresh Period	—	128	—	128	ms	1

1. 2048 refreshes are required every 128ms.

Self Refresh Cycle

Symbol	Parameter	-60		-70		Unit	Notes
		Min	Max	Min	Max		
t_{RASS}	\overline{RAS} Pulse Width During Self Refresh Cycle	100	—	100	—	ns	
t_{RPS}	\overline{RAS} Precharge Time During Self Refresh Cycle)	104	—	124	—	ns	
t_{CHS}	\overline{CAS} Hold Time During Self Refresh Cycle)	50	—	50	—	ns	

1. When using Self Refresh mode, the following refresh operations must be performed to ensure proper DRAM operation: If row addresses are being refreshed in an EVENLY DISTRIBUTED manner over the refresh interval using CBR refresh cycles, then only one CBR cycle must be performed immediately after exit from Self Refresh. If row addresses are being refreshed in any other manner (ROR - Distributed/Burst; or CBR-Burst) over the refresh interval, then a full set of row refreshes must be performed immediately before entry to and immediately after exit from Self Refresh.

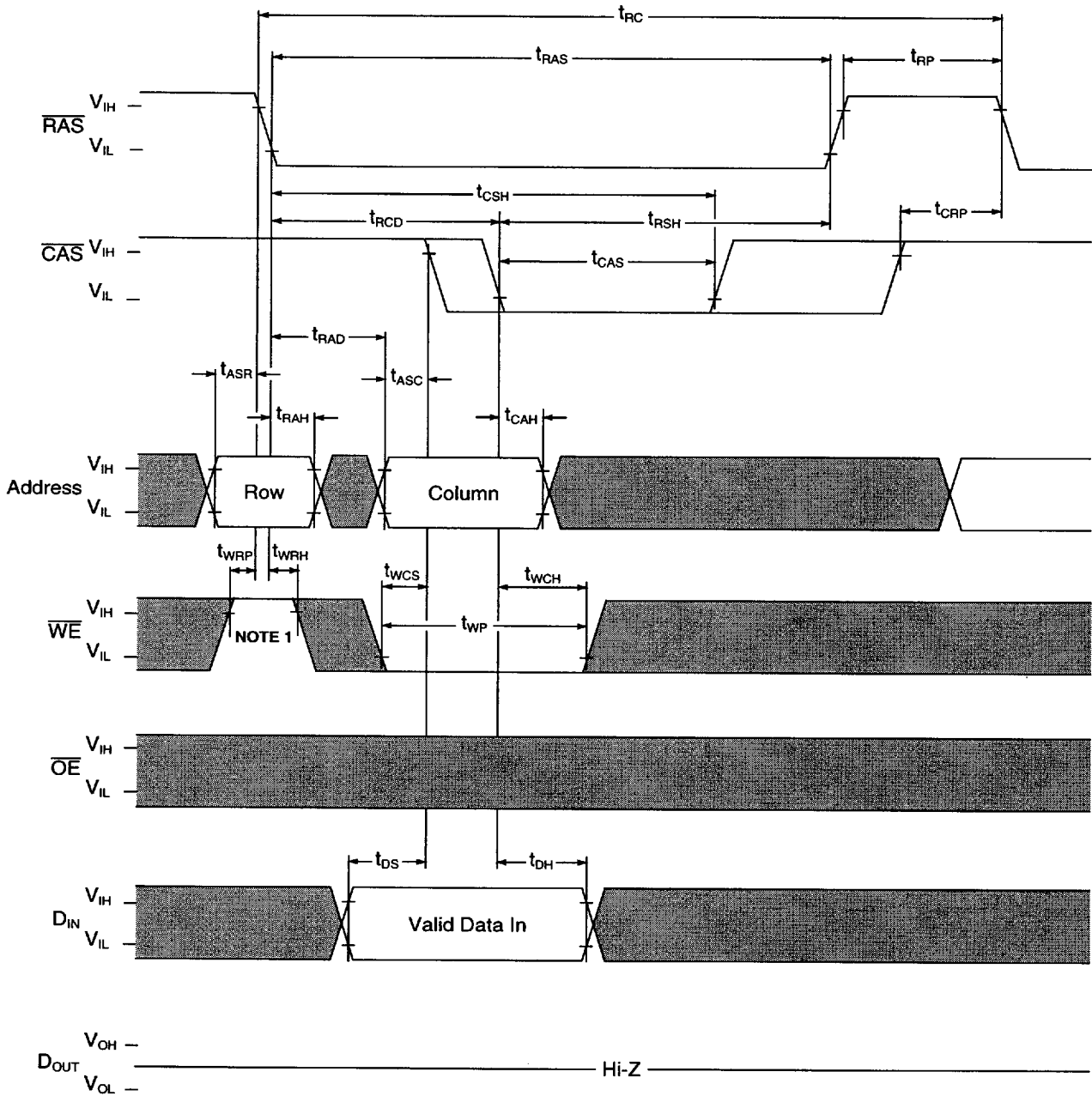


Presence Detect Read and Write Cycle

Symbol	Parameter	-70		Unit	Notes
		Min	Max		
f _{SCL}	SCL Clock Frequency		80	kHZ	
T _I	Noise Suppression Time Constant at SCL, SDA Inputs		100	ns	
t _{AA}	SCL Low to SDA Data Out Valid	0.3	7.0	μs	
t _{BUF}	Time the Bus Must Be Free before a New Transmission Can Start	6.7		μs	
t _{HD:STA}	Start Condition Hold Time	4.5		μs	
t _{LOW}	Clock Low Period	6.7		μs	
t _{HIGH}	Clock High Period	4.5		μs	
t _{SU:STA}	Start Condition Setup Time(for a Repeated Start Condition)	6.7		μs	
t _{HD:DAT}	Data in Hold Time	0		μs	
t _{SU:DAT}	Data in Setup Time	500		ns	
t _r	SDA and SCL Rise Time		1	μs	
t _f	SDA and SCL Fall Time		300	ns	
t _{SU:STO}	Stop Condition Setup Time	6.7		μs	
t _{DH}	Data Out Hold Time	300		ns	
t _{WR} (Note 3)	Write Cycle Time		15	ms	

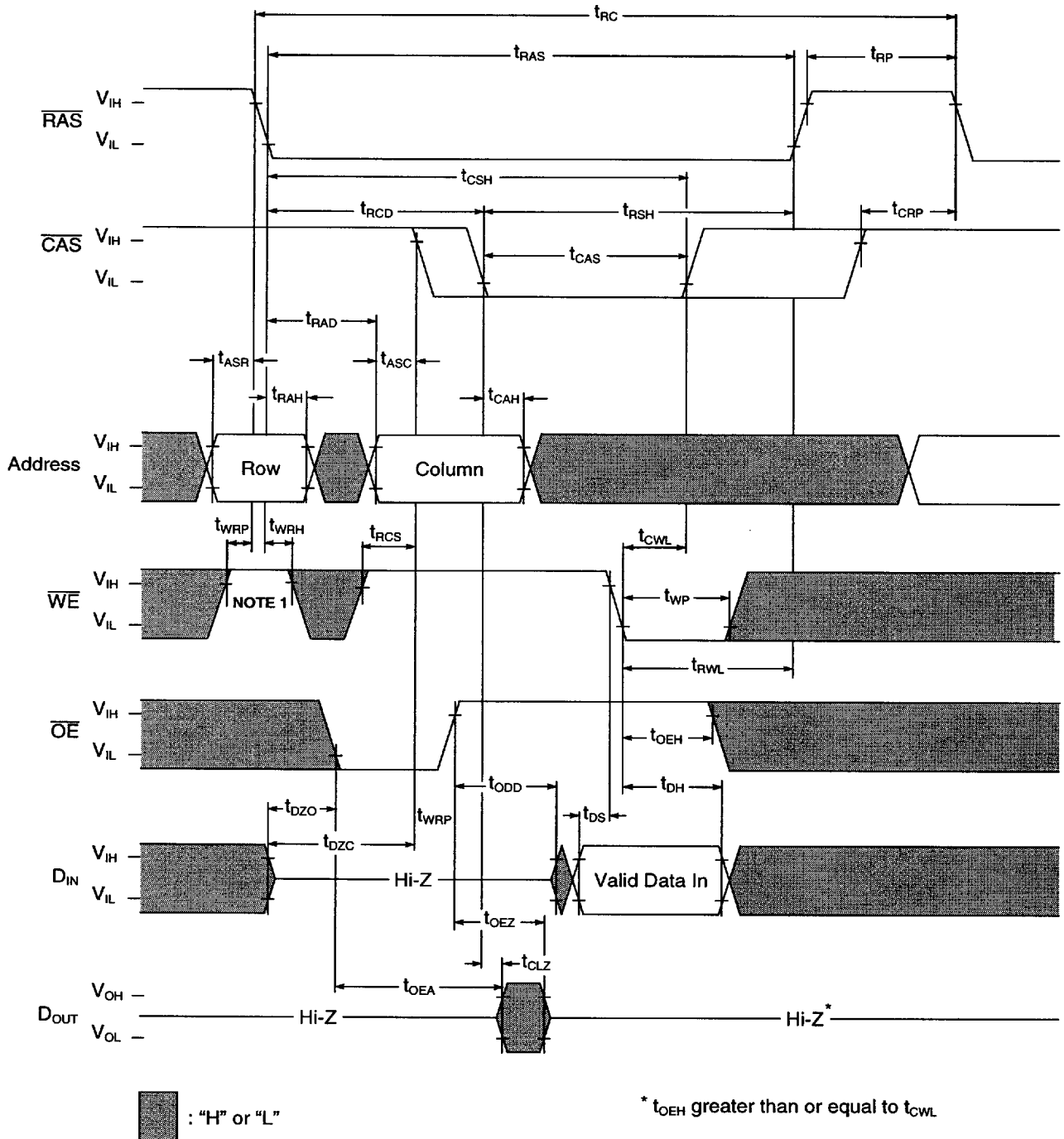
1. The write cycle time(t_{WR}) is the time from a valid stop condition of a write sequence to the end of the internal erase/program cycle. During the write cycle, the bus interface circuits are disabled, SDA is allowed to remain high per the bus-level pull-up resistor, and the device does not respond to its slave address.

Write Cycle (Early Write)



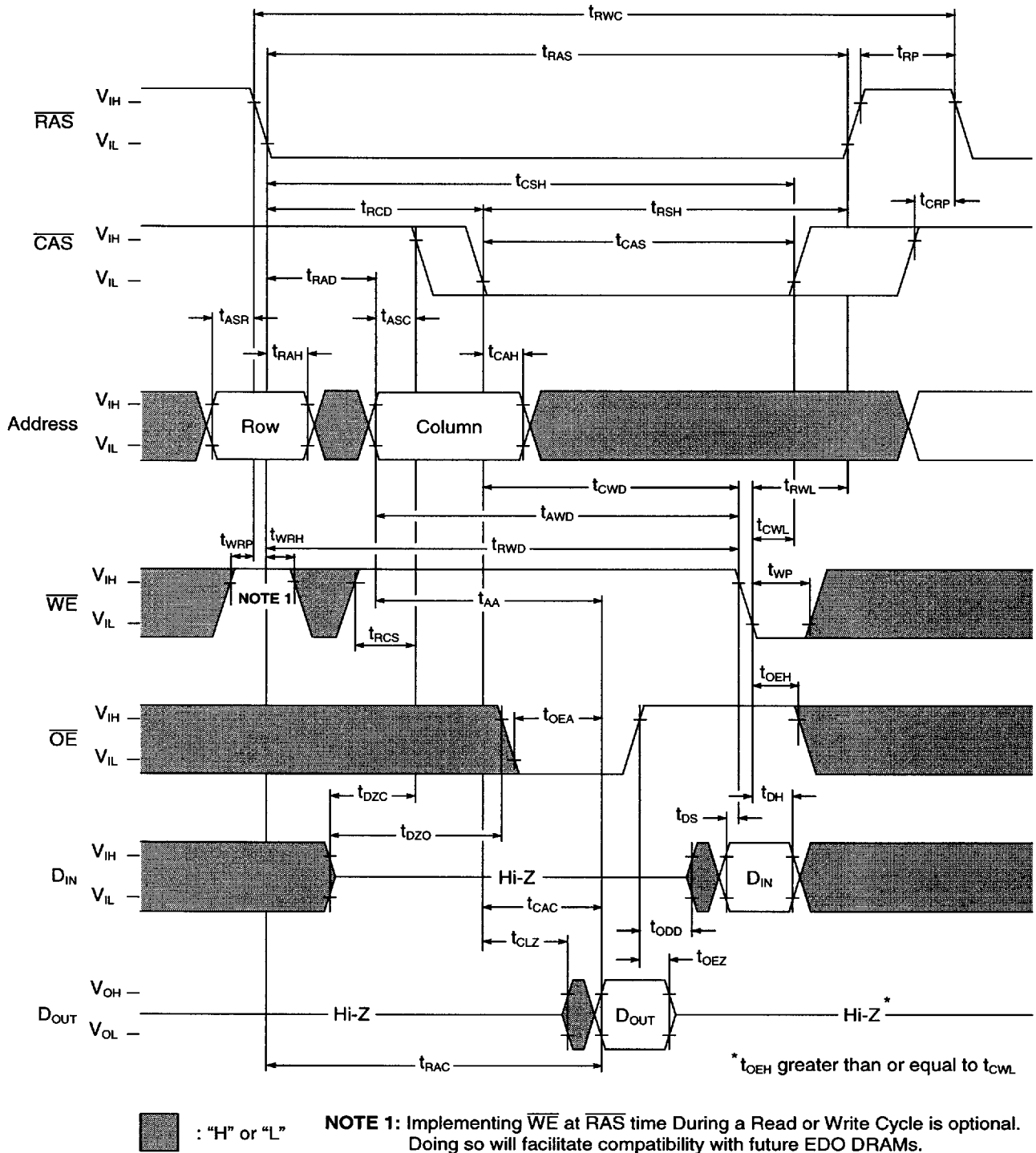
■ : "H" or "L"

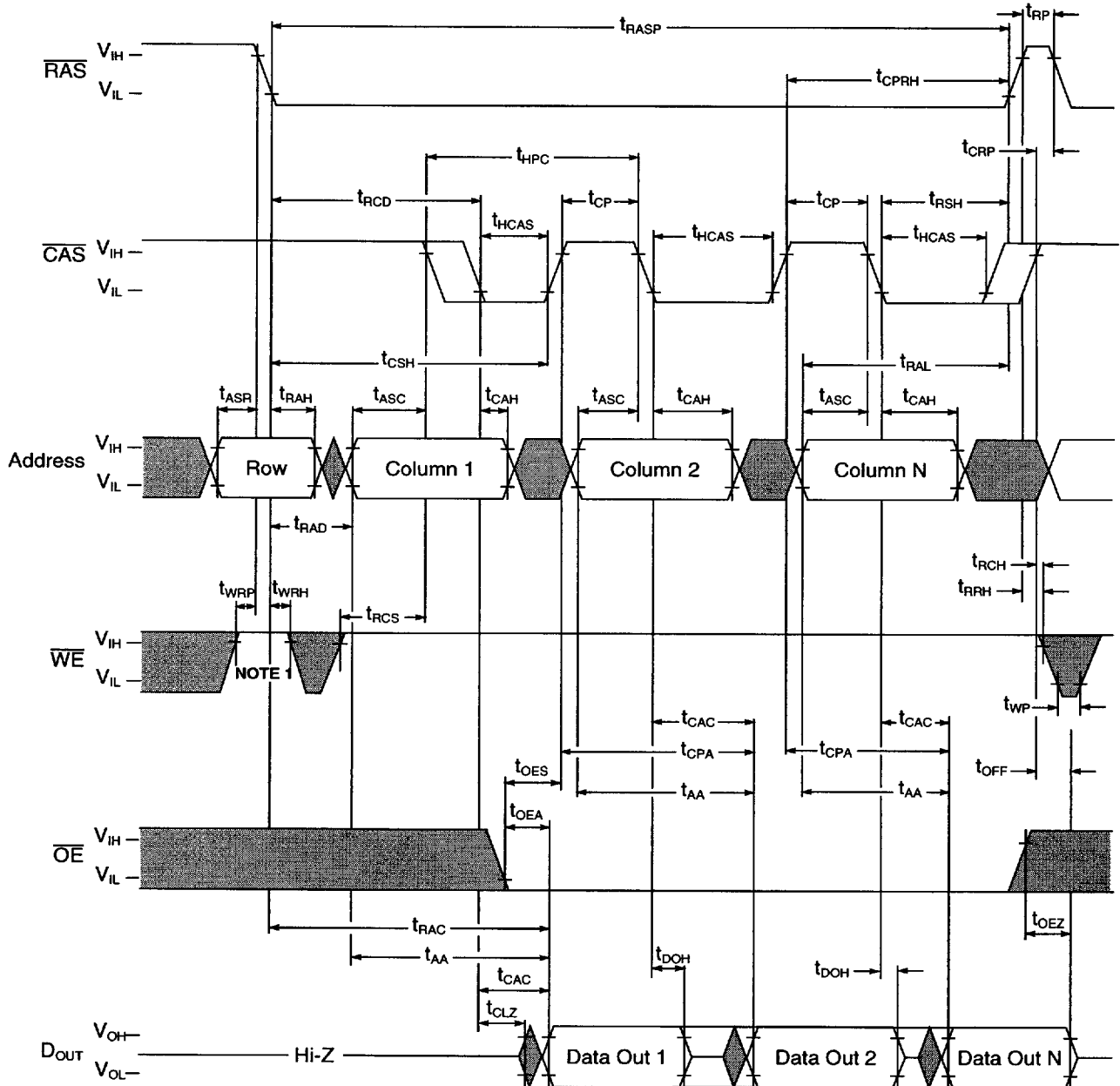
NOTE 1: Implementing \overline{WE} at \overline{RAS} time During a Read or Write Cycle is optional. Doing so will facilitate compatibility with future EDO DRAMs.

Write Cycle (Late Write)


NOTE 1: Implementing \overline{WE} at \overline{RAS} time During a Read or Write Cycle is optional. Doing so will facilitate compatibility with future EDO DRAMs.

Read-Modify-Write-Cycle

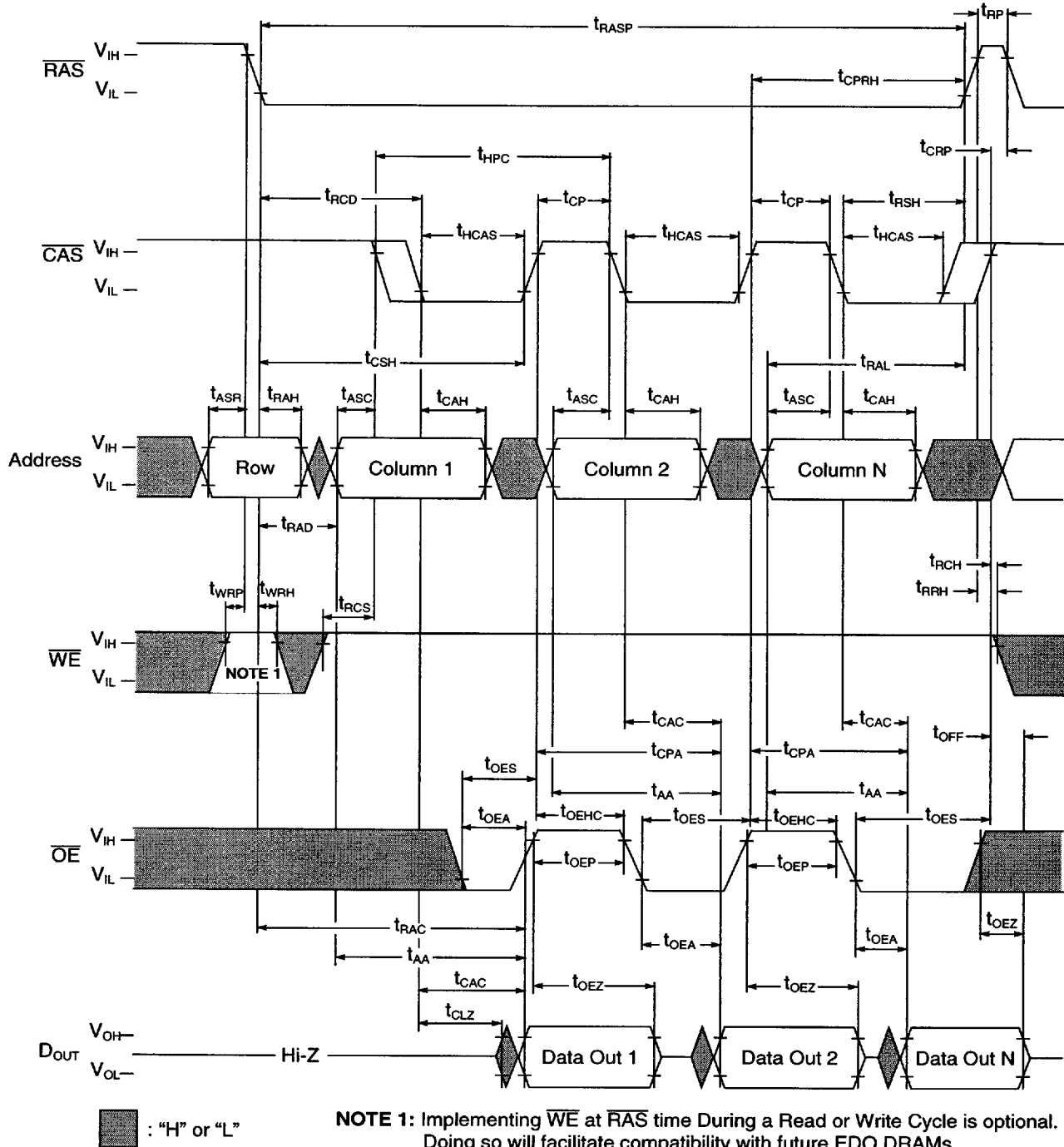


EDO Page Mode Read Cycle


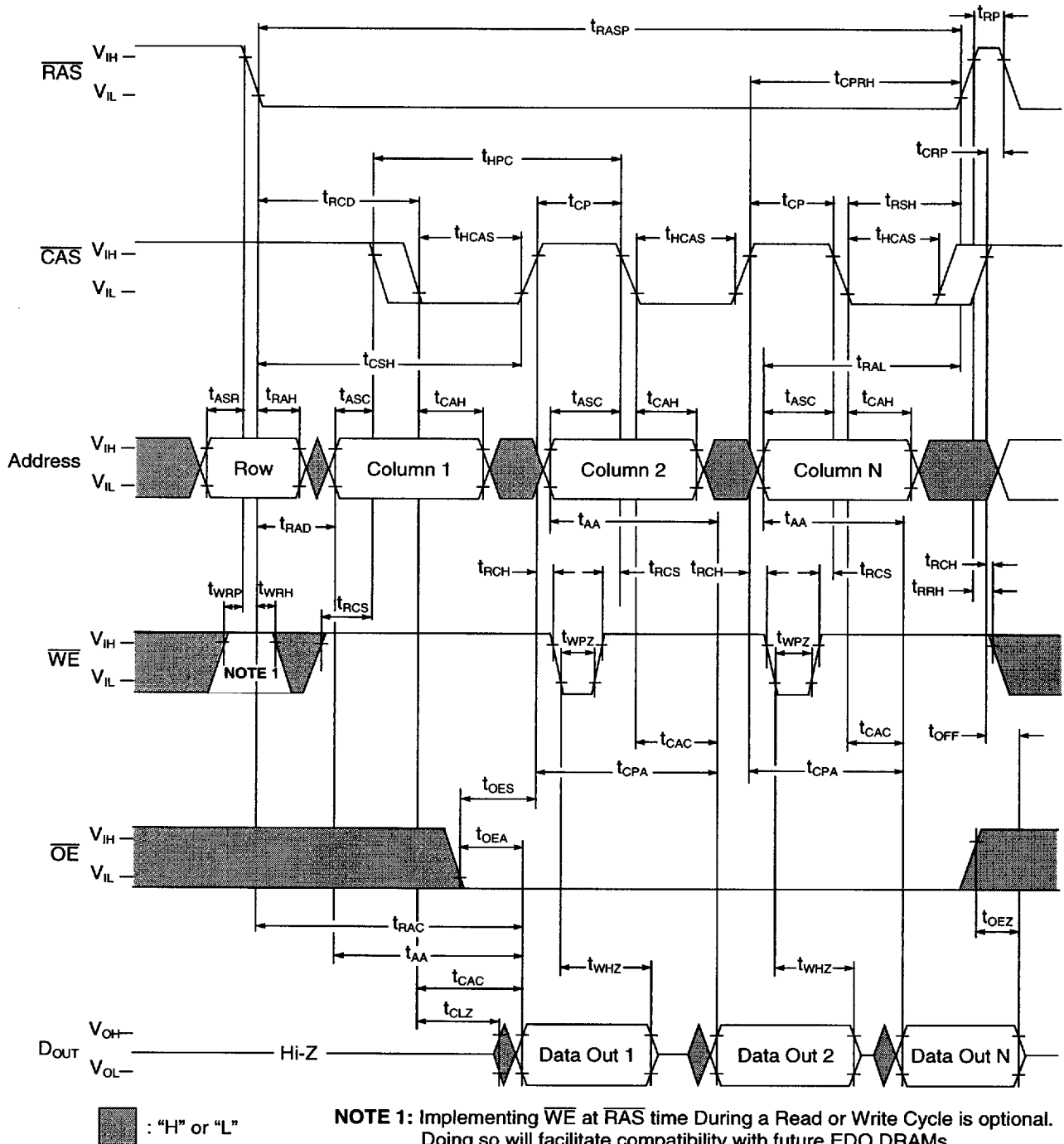
■ : "H" or "L"

NOTE 1: Implementing \overline{WE} at \overline{RAS} time During a Read or Write Cycle is optional. Doing so will facilitate compatibility with future EDO DRAMs.

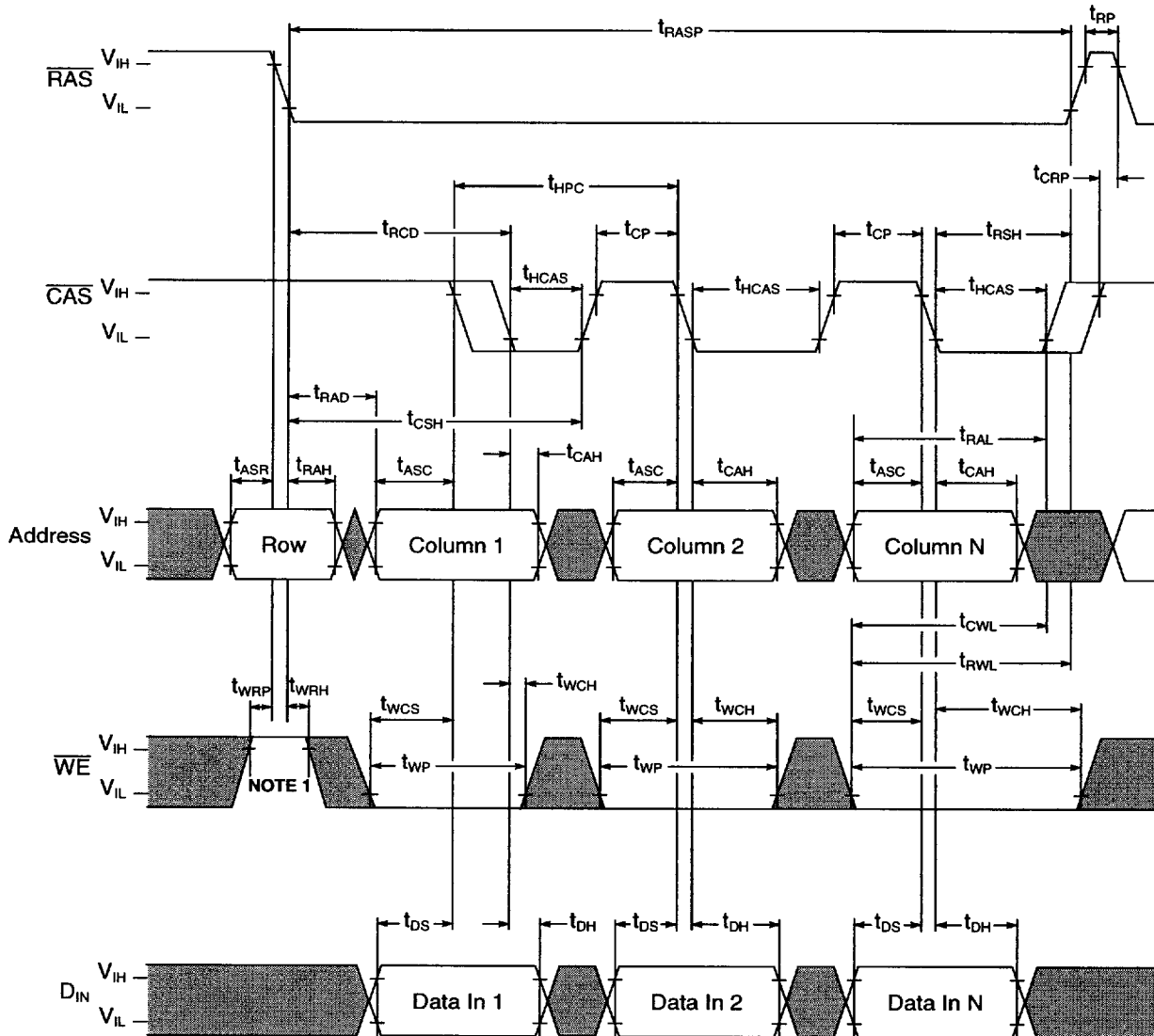
EDO Page Mode Read Cycle (\overline{OE} Control)



EDO Page Mode Read Cycle (\overline{WE} Control)



EDO Page Mode Early Write Cycle

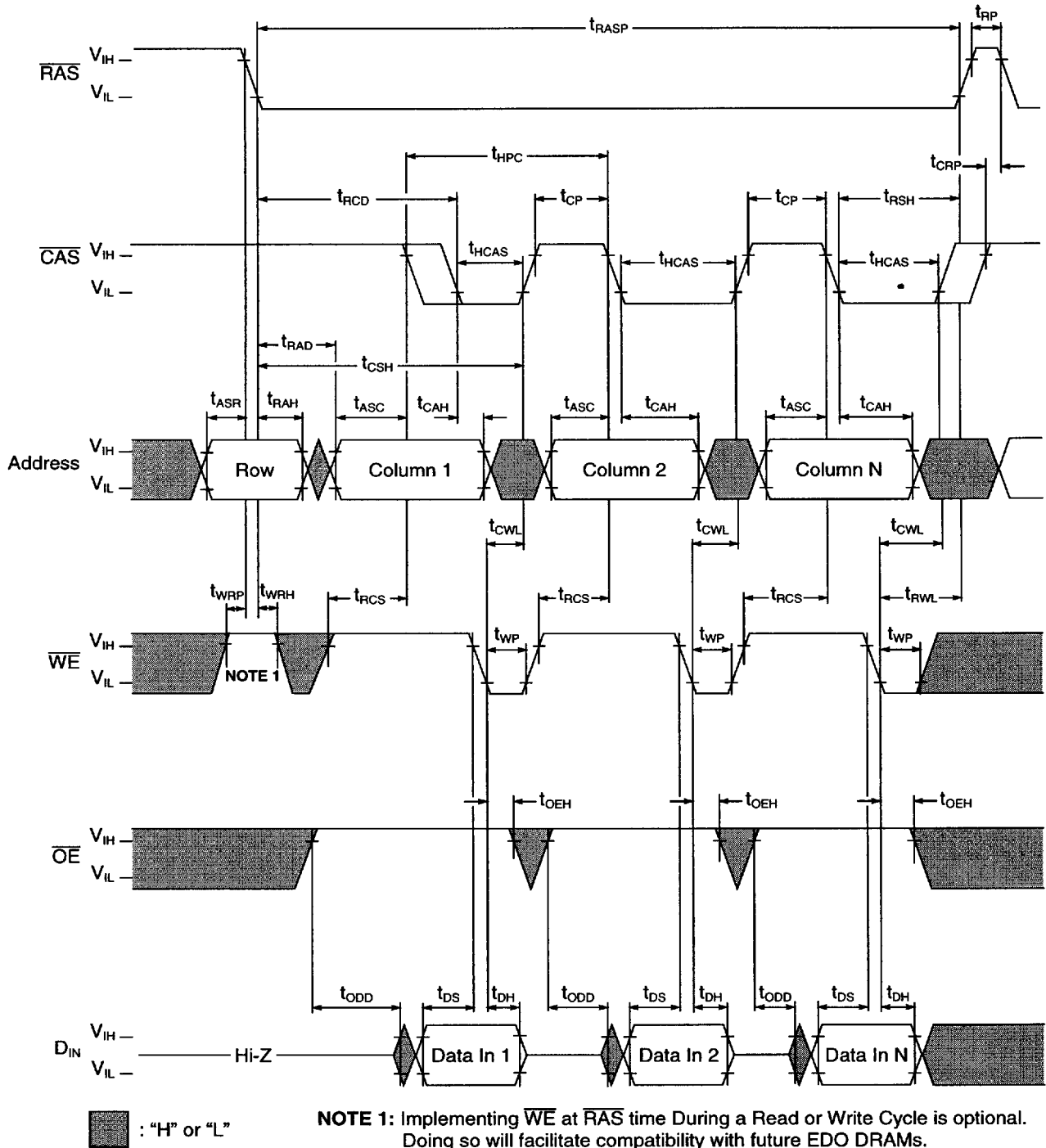


■ : "H" or "L"

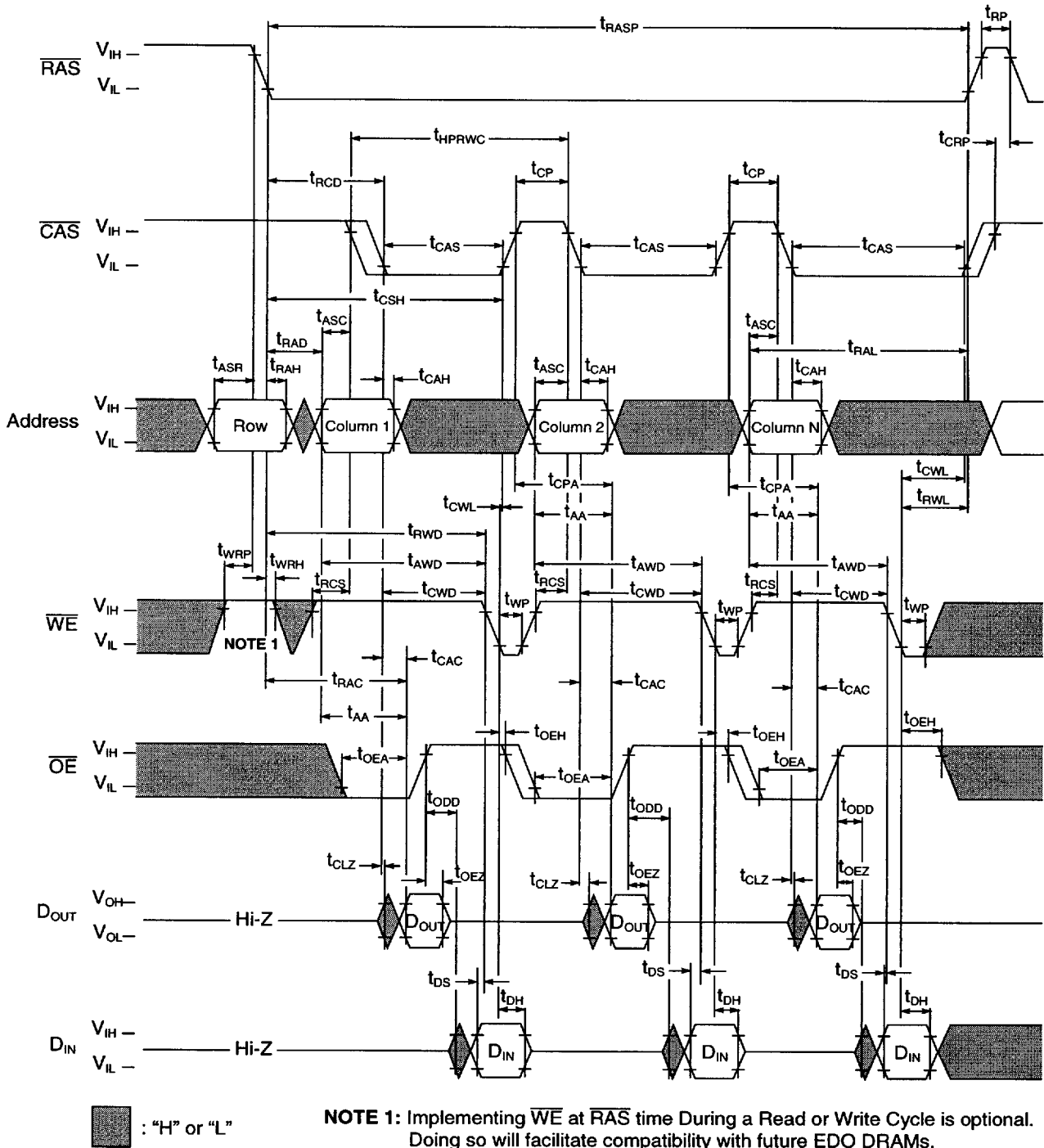
NOTE 1: Implementing \overline{WE} at \overline{RAS} time During a Read or Write Cycle is optional. Doing so will facilitate compatibility with future EDO DRAMs.

\overline{OE} = Don't care

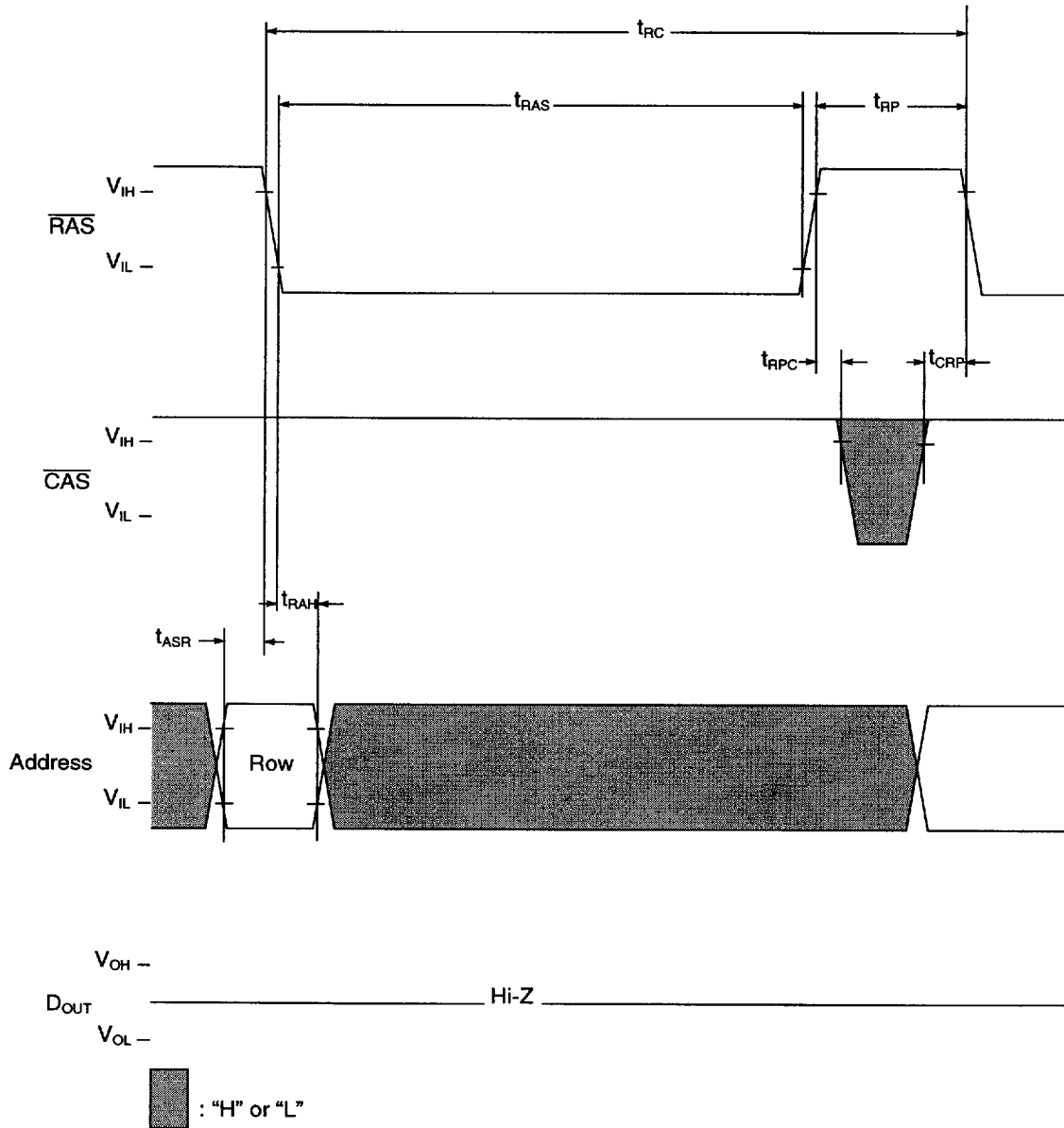
EDO Page Mode Late Write Cycle



EDO Page Mode Read Modify Write Cycle

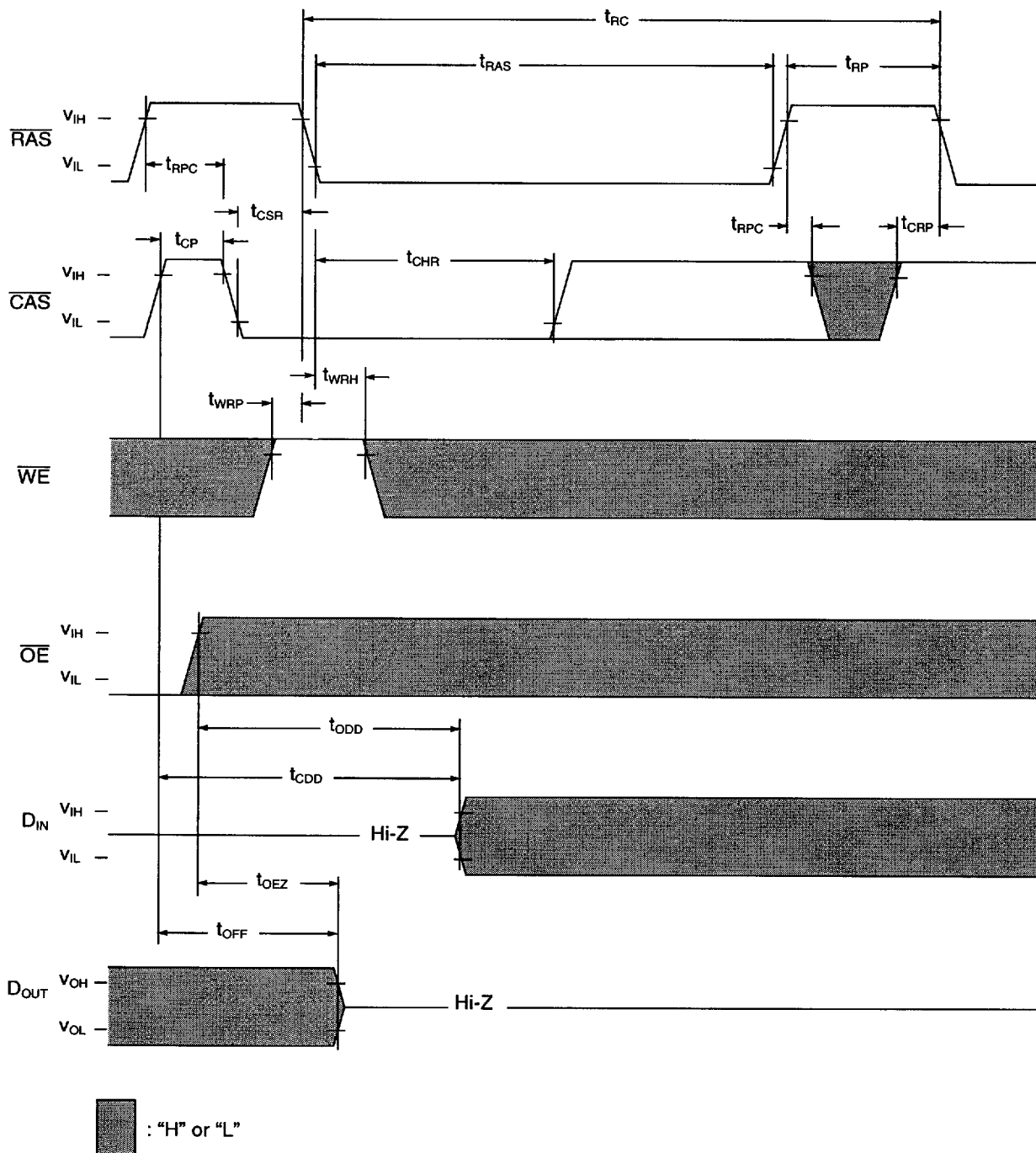


RAS Only Refresh Cycle



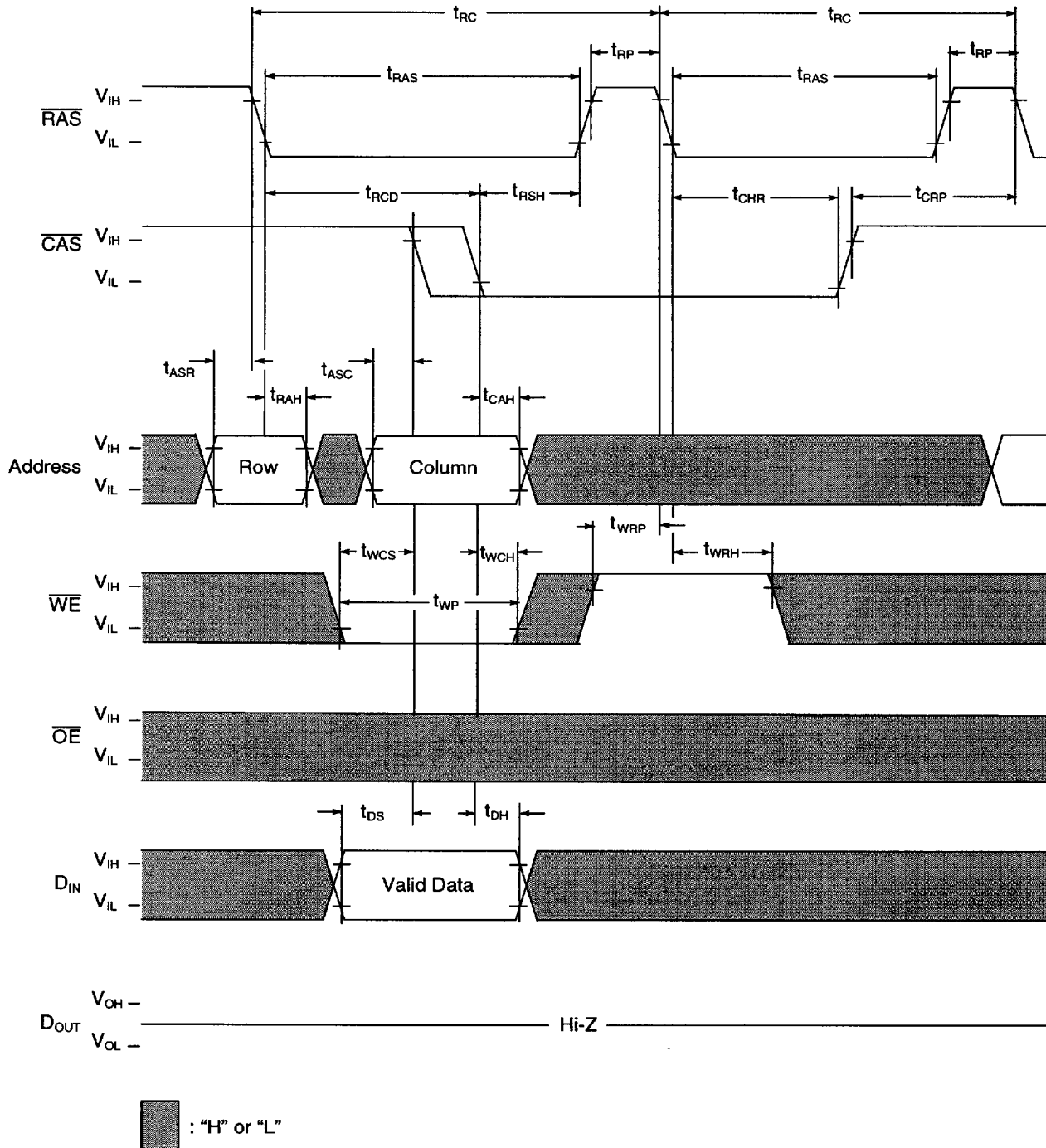
Note: \overline{WE} , \overline{OE} , D_{IN} are "H" or "L"

CAS Before RAS Refresh Cycle

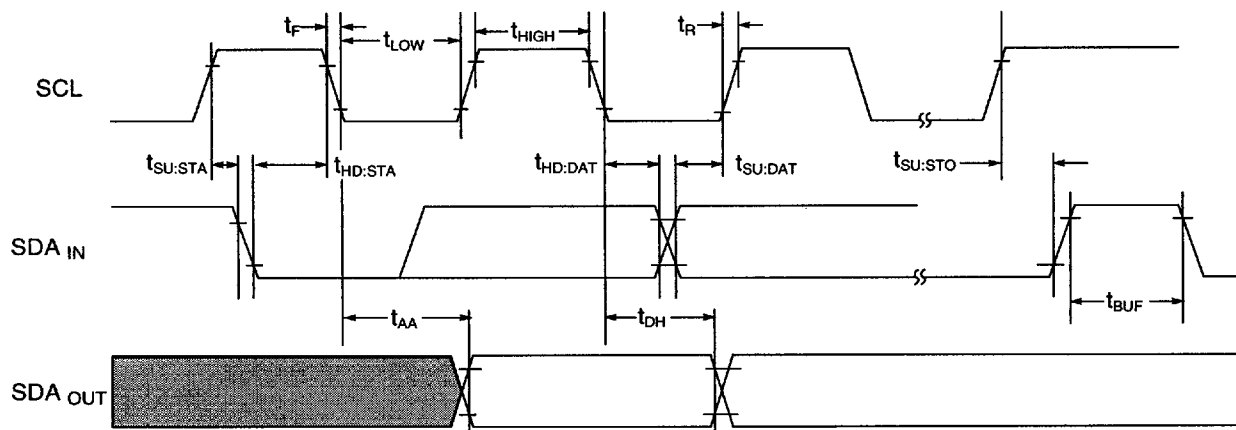


Note: Addresses are "H" or "L"

Hidden Refresh Cycle (Write)



Presence Detect (EEPROM) Bus Timing



Presence Detect Operation

Clock and Data Conventions: Data states on the SDA line can change only during SCL low. SDA state changes during SCL HIGH are reserved for indicating start and stop conditions (Figure 1 & Figure 2).

Start Condition: All commands are preceded by the start condition, which is a HIGH to LOW transition of SDA when SCL is high. The serial PD device continuously monitors the SDA and SCL lines for the start condition and will not respond to any command until this condition has been met.

Stop Condition: All communications are terminated by a stop condition, which is a LOW to HIGH transition of SDA when SCL is HIGH. The stop condition is also used to place the serial PD device into standby power mode.

Acknowledge: Acknowledge is a software convention used to indicate successful data transfers. The transmitting device, either master or slave, will release the bus after transmitting eight bits. During the ninth clock cycle the receiver will pull the SDA line LOW to acknowledge that it received the eight bits of data (Figure 3).

The PD device will always respond with an acknowledge after recognition of a start condition and its slave address. If both the device and a write operation have been selected, The PD device, will respond with an acknowledge after the receipt of each subsequent eight bit word. In the read mode the PD device will transmit eight bits of data, release the SDA line and monitor the line for an acknowledge. If an acknowledge is detected and no

stop condition is generated by the master, the slave will continue to transmit data. If an acknowledge is not detected, the slave will terminate further data transmissions and await the stop condition to return to standby power mode.

Figure 1. Data Window

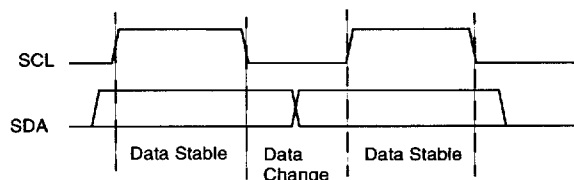


Figure 2. Definition of Start & Stop

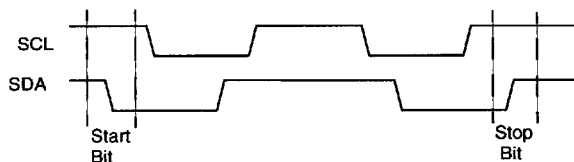
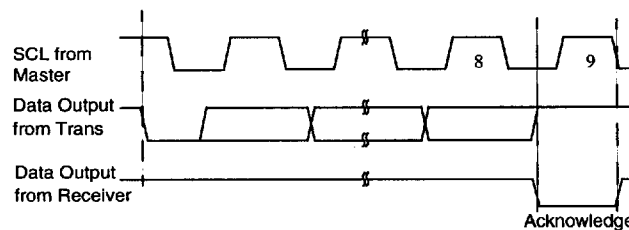
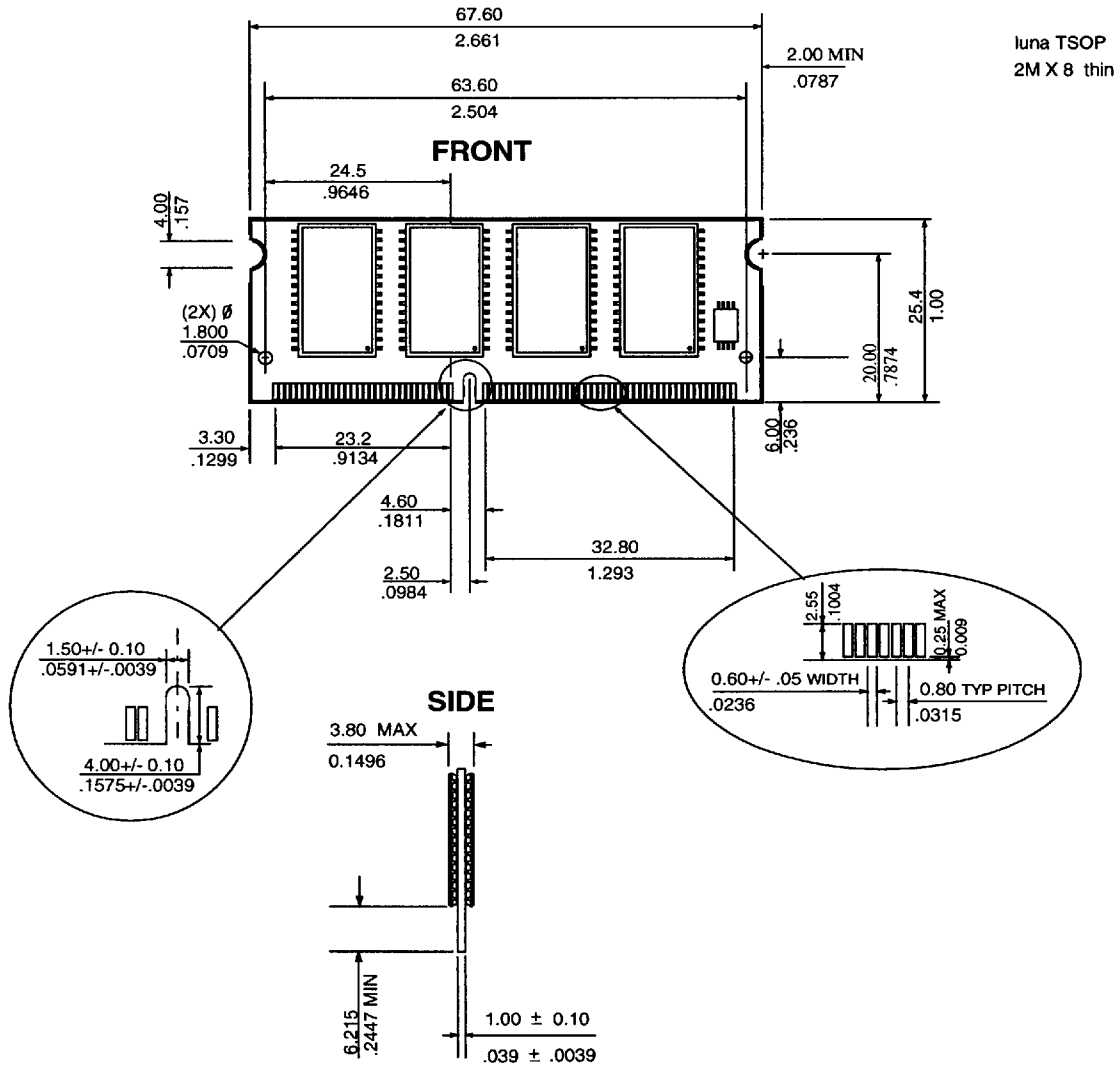


Figure 3. Acknowledge Response From Receiver



Layout Drawing





Revision Log

Rev	Contents of Modification
1/96	Initial Release.