

**PLEASE CHECK WWW.MOLEX.COM FOR LATEST PART INFORMATION**

**Part Number:** [0855135016](#)  
**Status:** **Active**  
**Overview:** [modular\\_plugs\\_jacks](#)  
**Description:** SMT Jack for Mating with F.C.C 68 Plugs, 4 Circuits

**Documents:**

[3D Model](#) [Product Specification PS-85513-002 \(PDF\)](#)  
[Drawing \(PDF\)](#) [RoHS Certificate of Compliance \(PDF\)](#)

**Agency Certification**

UL E107635

**General**

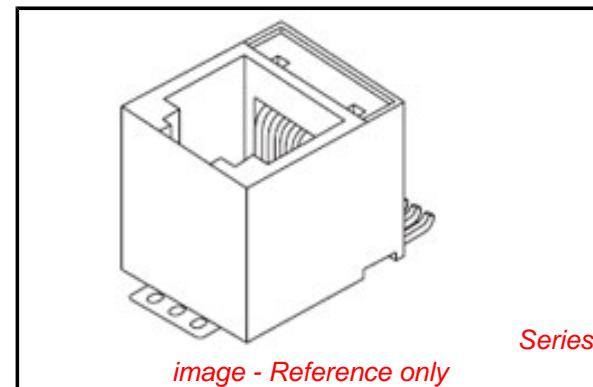
Product Family Modular Jacks/Plugs  
 Series [85513](#)  
 Comments Reel size: 13"  
 Component Type PCB Jack  
 Magnetic No  
 Overview [modular\\_plugs\\_jacks](#)  
 Performance Category 3  
 Power over Ethernet (PoE) N/A  
 Product Name RJ11

**Physical**

Boot Color N/A  
 Color - Resin Black  
 Durability (mating cycles max) 500  
 Flammability 94V-0  
 Inverted / Top Latch No  
 Lightpipes/LEDs None  
 Material - Metal Brass  
 Material - Plating Mating Gold  
 Material - Plating Termination Tin  
 Material - Resin High Temperature Thermoplastic  
 Orientation Vertical (Top Entry)  
 PCB Locator No  
 PCB Retention Yes  
 Packaging Type Embossed Tape on Reel  
 Pitch - Mating Interface (in) 0.040 In  
 Pitch - Mating Interface (mm) 1.02 mm  
 Pitch - Term. Interface (in) 0.050 In  
 Pitch - Term. Interface (mm) 1.27 mm  
 Plating min: Mating (µin) 50.8  
 Plating min: Mating (µm) 1.27  
 Plating min: Termination (µin) 76  
 Plating min: Termination (µm) 1.9  
 Ports 1  
 Positions / Loaded Contacts 4/4  
 Surface Mount Compatible (SMC) Yes  
 Temperature Range - Operating -40°C to +80°C  
 Termination Interface: Style Surface Mount  
 Waterproof / Dustproof No  
 Wire/Cable Type N/A

**Electrical**

Current - Maximum per Contact 1.5A



**EU RoHS**

**ELV and RoHS  
Compliant**  
**REACH SVHC**  
 Not Reviewed  
**Halogen-Free  
Status**  
 Not Reviewed

**China RoHS**



**Need more information on product  
environmental compliance?**

Email [productcompliance@molex.com](mailto:productcompliance@molex.com)  
 For a multiple part number RoHS Certificate of  
 Compliance, [click here](#)

Please visit the [Contact Us](#) section for any  
 non-product compliance questions.

**Search Parts in this Series**

[85513Series](#)

**Mates With**

[90075 series](#)

|                   |               |
|-------------------|---------------|
| Shielded          | No            |
| Voltage - Maximum | 125V AC (RMS) |

### **Solder Process Data**

|  |                           |
|--|---------------------------|
| Duration at Max. Process Temperature (seconds) | 45                        |
| Lead-free Process Capability                   | Reflow Capable (SMT only) |
| Max. Cycles at Max. Process Temperature        | 3                         |
| Process Temperature max. C                     | 260                       |

### **Material Info**

### **Reference - Drawing Numbers**

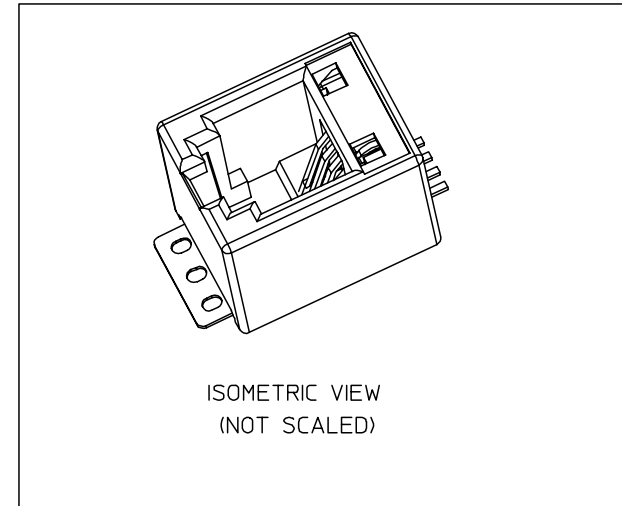
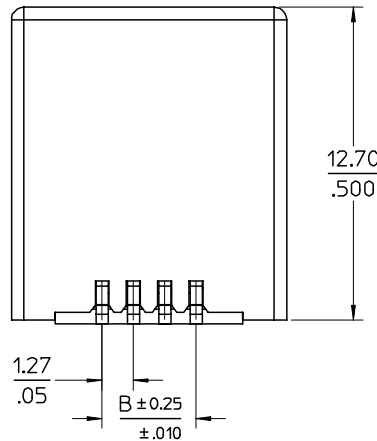
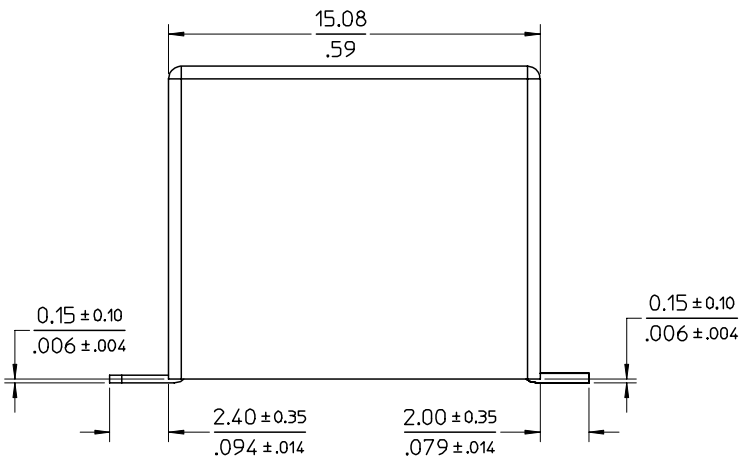
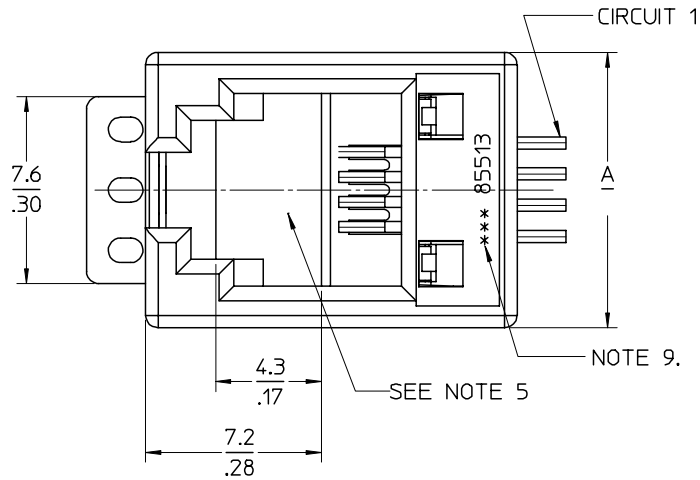
|                         |              |
|-------------------------|--------------|
| Packaging Specification | PK-85513-001 |
| Product Specification   | PS-85513-002 |
| Sales Drawing           | SD-85513-010 |

This document was generated on 06/08/2010

**PLEASE CHECK [WWW.MOLEX.COM](http://WWW.MOLEX.COM) FOR LATEST PART INFORMATION**

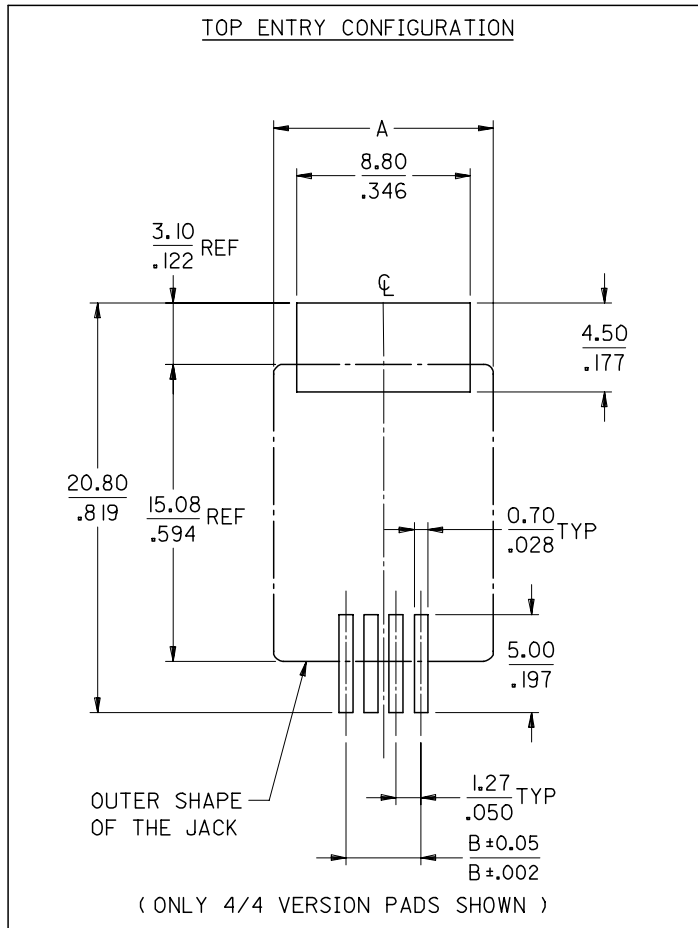
# NOTES:

- 1- MATERIAL:
  - HOUSING:LCP GLASS FILLED UL 94-V0, COLOUR BLACK,
  - TERMINAL: BRASS PLATED WITH: 0.00127/.000050 MIN GOLD IN CONTACT AREA, 0.00190/.000075 MIN PURE TIN IN TAIL AREA, BOTH OVER 0.00127/.000050 MIN NICKEL OVERALL.
- 2- JACK FOR MATING WITH F.C.C.68 PLUGS (MOLEX 90075 SERIES).
- 3- PRODUCT SPECIFICATION: PS-85513-002.
- 4- PACKAGING SPECIFICATION (SEE CHART SHEET2):
  - PK-85513-001 SHEET 3 (BLISTER ON REEL 13")
  - PK-85513-001 SHEET 1 (BLISTER ON REEL 15")
  - PK-85513-001 SHEET 2 (BLISTER ON REEL 22")
- 5- FLAT SURFACE ON BOTH SIDES FOR PICK AND PLACE PURPOSE
- 6- COPLANARITY OF LEADS AND TABS: 0.10/.004 MAX
- 7- SEE RECOMMENDED PCB LAYOUT ON SHEET 2
- 8- FOR DRAWING PURPOSE, ONLY 4/4 VERSION SHOWN.
- 9- MANUFACTURING I.D CAN BE EITHER MXF,MG OR MXI.
- 10- APPLICATION SPEC AS-85513-001



|   |                               |  |  |                          |  |                         |                        |                        |  |  |
|---|-------------------------------|--|--|--------------------------|--|-------------------------|------------------------|------------------------|--|--|
| MODIFIED MATERIAL.<br>EC NO: E2007-0716<br>DRWN:DBYRNES 2007/02/15<br>CHKD: 2007/02/15<br>APPR:EOMAHONY 2007/02/15            | QUALITY SYMBOLS<br>▽=0<br>▽=0 | GENERAL TOLERANCES (UNLESS SPECIFIED)                |  | DIMENSION STYLE<br>MM/IN |  | SCALE<br>5:1            | DESIGN UNITS<br>METRIC | THIRD ANGLE PROJECTION |  |  |
|   |                               |  |  |                          |  | DRAWN BY<br>DBYRNES     |                        | DATE<br>2006/08/17     |  | TITLE<br>LOW PROFILE TOP ENTRY TRUE SMT JACK WITH P&P SURFACE(SHORT VERSION) |
|   |                               |  |  |                          |  | CHECKED BY<br>EOMAHONY  |                        | DATE<br>2006/08/17     |  |  |
|   |                               |  |  |                          |  | APPROVED BY<br>EOMAHONY |                        | DATE<br>2006/08/17     |  |  |
|   |                               | ANGULAR ± 2 °  |  | MATERIAL NO.             |  | DOCUMENT NO.            |                        | SHEET NO.              |  |  |
|   |                               | DRAFT WHERE APPLICABLE MUST REMAIN WITHIN DIMENSIONS |  | SEE CHART                |  | SD-85513-010            |                        | 1 OF 2                 |  |  |
| THIS DRAWING CONTAINS INFORMATION THAT IS PROPRIETARY TO MOLEX INCORPORATED AND SHOULD NOT BE USED WITHOUT WRITTEN PERMISSION |                               |  |  |                          |  |                         |                        |                        |  |  |

RECOMMENDED PCB LAYOUTS  
(SEE FROM COMPONENT SIDE)



| PART. NO.  | HOUSING SIZE | LOADED CKTS | TOOLED | A             | B            | PACKAGING           | PACKAGING SPEC.      |
|------------|--------------|-------------|--------|---------------|--------------|---------------------|----------------------|
| 85513-5013 | 8            | 8           | YES    | 15.24<br>.600 | 8.89<br>.350 | BLISTER ON REEL 13" | PK-85513-001 SHEET 3 |
| 85513-5001 |              |             | YES    |               |              | BLISTER ON REEL 15" | PK-85513-001 SHEET 1 |
| 85513-5009 |              |             | YES    |               |              | BLISTER ON REEL 22" | PK-85513-001 SHEET 2 |
| 85513-5014 | 6            | 6           | YES    | 13.21<br>.520 | 6.35<br>.250 | BLISTER ON REEL 13" | PK-85513-001 SHEET 3 |
| 85513-5002 |              |             | YES    |               |              | BLISTER ON REEL 15" | PK-85513-001 SHEET 1 |
| 85513-5010 |              |             | YES    |               |              | BLISTER ON REEL 22" | PK-85513-001 SHEET 2 |
| 85513-5015 | 6            | 4           | YES    | 13.21<br>.520 | 3.81<br>.150 | BLISTER ON REEL 13" | PK-85513-001 SHEET 3 |
| 85513-5003 |              |             | YES    |               |              | BLISTER ON REEL 15" | PK-85513-001 SHEET 1 |
| 85513-5011 |              |             | YES    |               |              | BLISTER ON REEL 22" | PK-85513-001 SHEET 2 |
| 85513-5016 | 4            | 4           | YES    | 11.18<br>.440 | 3.81<br>.150 | BLISTER ON REEL 13" | PK-85513-001 SHEET 3 |
| 85513-5004 |              |             | YES    |               |              | BLISTER ON REEL 15" | PK-85513-001 SHEET 1 |
| 85513-5012 |              |             | YES    |               |              | BLISTER ON REEL 22" | PK-85513-001 SHEET 2 |

|   |                 |   |   |   |              |                        |
|---|-----------------|---|---|---|--------------|------------------------|
| SEE SHEET 1<br>EC NO: E2007-0716<br>DRWN:DBYRNES 2007/02/15<br>CHKD: 2007/02/15<br>APPR:EOMAHONY 2007/02/15 | QUALITY SYMBOLS | GENERAL TOLERANCES (UNLESS SPECIFIED)   | DIMENSION STYLE   | SCALE   | DESIGN UNITS | THIRD ANGLE PROJECTION |
|   | ▽=0<br>∇=0      | mm INCH<br>4 PLACES ± --- ± ---<br>3 PLACES ± --- ± .006<br>2 PLACES ± 0.15 ± .010<br>1 PLACE ± 0.25 ± ---<br>ANGULAR ± 2 ° | MM/IN   | 1:1   | METRIC       |                        |
|   | DESCRIPTION     | DRAWN BY  | DATE  | TITLE   |              |                        |
|   | REV             | DBYRNES   | 2006/08/17  | LOW PROFILE TOP ENTRY TRUE SMT JACK WITH P&P SURFACE(SHORT VERSION) |              |                        |
|   | EOMAHONY        | 2006/08/17  | MOLEX INCORPORATED  |   |              |                        |
|   |                 |   | MATERIAL NO.  | DOCUMENT NO.  | SHEET NO.    |                        |
|   |                 |   | SEE CHART   | SD-85513-010  | 2 OF 2       |                        |
|   |                 |   | DRAFT WHERE APPLICABLE MUST REMAIN WITHIN DIMENSIONS  |   |              |                        |
|   |                 |   | THIS DRAWING CONTAINS INFORMATION THAT IS PROPRIETARY TO MOLEX INCORPORATED AND SHOULD NOT BE USED WITHOUT WRITTEN PERMISSION |   |              |                        |