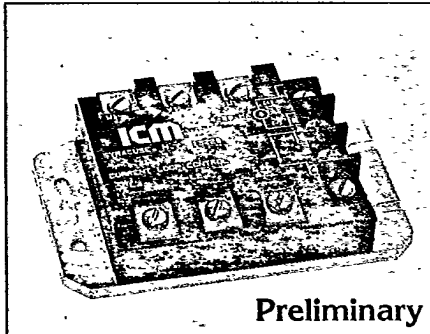


Series QZS Three Phase Solid State Relays



Preliminary

The Series QZS line of Three Phase Solid State Relays incorporate the best in solid state Microelectronic technology and innovative package design. The optically coupled input utilizes integrated circuitry, whereby greatly reducing the number of connections. In addition, the built-in snubber and the high blocking voltage of the output devices provide a high immunity to transients. The rugged and compact housing has integral heatsink for maximum heat dissipation. Epoxy-encapsulation offers added environmental protection against the severe conditions of temperature, shock, humidity and vibration.

FEATURES

- Solid State reliability
- Optically isolated input
- Built-in snubber w/photo triac coupler
- High transient immunity
- Static dv/dt rating: 200 V/microsecond
- TTL, CMOS and DTL compatible
- Ideal for computer interface
- Rugged and compact package
- Integral metal heatsink
- Economically priced

SPECIFICATIONS

Input

- Control Voltage: 3-8 VDC
- 8-18 VDC
- 18-32 VDC/AC
- Current: 15 ma max.
- 5 ma typical

Isolation

- Input to Output: 2500 VRMS min.
- Case to ground: 2500 VRMS min.

Output

- Type: Inverse parallel SCR's or Triac
- Voltage: 115V, 230V, 380V
- Frequency: 50/60 Hz
- Current Rating:
 - max: 10, 15, 25 & 40 amps resistive
 - min: 50 ma
 - Surge (1 cycle): 10 X rated max current
- Voltage Drop: 1.5 Volts typical @ rated load
- Turn-on time max: 8.3 ms
- Turn-off time max: 8.3 ms
- Leakage current @380 V: 7 ma max

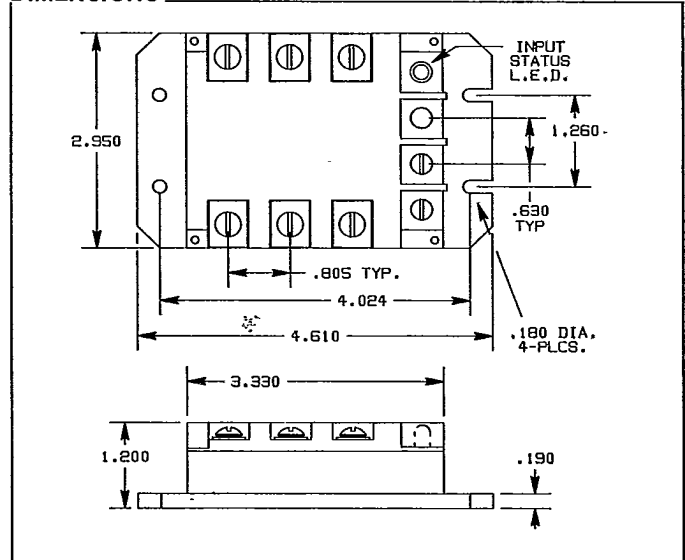
Environmental

- Operating Temperature: -40°C to +75°C
- Storage Temperature: -40°C to +100°C

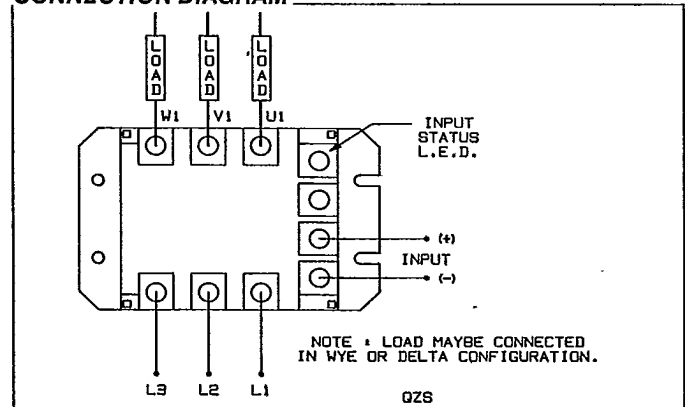
Physical

- Mounting: Surface mount using (4) #6 or #8 screws
- Termination: 8/32" screws
- Weight: 11 ounces (319 grams)

DIMENSIONS

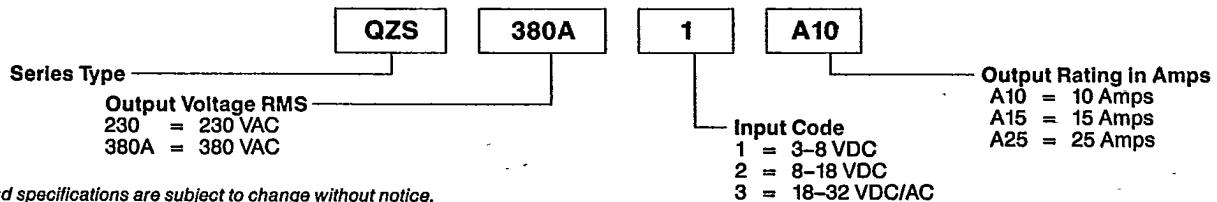


CONNECTION DIAGRAM



ORDERING INFORMATION: (Consult factory for variations not listed)

TYPE = QZS
SAMPLE PART NUMBER



All features and specifications are subject to change without notice.