

# 5-40 Watts

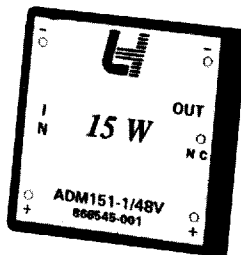
# Atom-Dyna-MITE®

T-57-11

All models available with 12, 24, or 48V DC input;  
see page 2 for complete model description.

## 15 Watts-1 Output ADM151

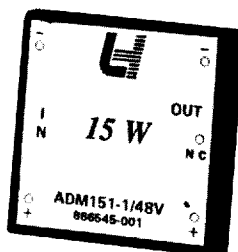
Part No.	MAIN	2
	VDC/Amps	VDC/Amps
ADM151-1	5 @ 3.000	
ADM151-2	12 @ 1.250	
ADM151-3	15 @ 1.000	
ADM151-5	24 @ .625	



Exterior Dimensions: 1.97" x 1.97" x 0.79"  
(50mm x 50mm x 20mm)  
Weight: 120 grams max.  
Detail drawing pg. 7

## 15 Watts-2 Outputs ADM152

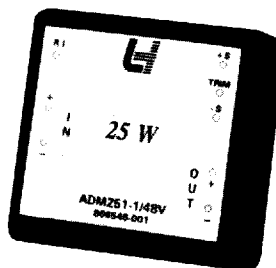
Part No.	MAIN	2
	VDC/Amps	VDC/Amps
ADM152-11	+ 5 @ 1.500	- 5 @ 1.500
ADM152-22	+12 @ .625	-12 @ .625
ADM152-33	+15 @ .500	-15 @ .500
ADM152-55	+24 @ .313	-24 @ .313



Exterior Dimensions: 1.97" x 1.97" x 0.79"  
(50mm x 50mm x 20mm)  
Weight: 120 grams max.  
Detail drawing pg. 7

## 25 Watts-1 Output ADM251

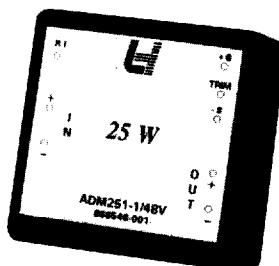
Part No.	MAIN	2
	VDC/Amps	VDC/Amps
ADM251-1	5 @ 5.00	
ADM251-2	12 @ 2.10	
ADM251-3	15 @ 1.70	



Exterior Dimensions: 2.85" x 2.66" x 0.91"  
(72.5mm x 67.5mm x 23.0mm)  
Weight: 220 grams max.  
Detail drawing pg. 7

## 25 Watts-2 Outputs ADM252

Part No.	MAIN	2
	VDC/Amps	VDC/Amps
ADM252-11	+ 5 @ 2.50	- 5 @ 2.50



Exterior Dimensions: 2.85" x 2.66" x 0.91"  
(72.5mm x 67.5mm x 23.0mm)  
Weight: 220 grams max.  
Detail drawing pg. 7



## Atom-Dyna-MITE®

5-40 Watts

T-57-11

All models available with 12, 24 or 48V DC input;  
see page 2 for complete model description.

40 Watts-3 Outputs

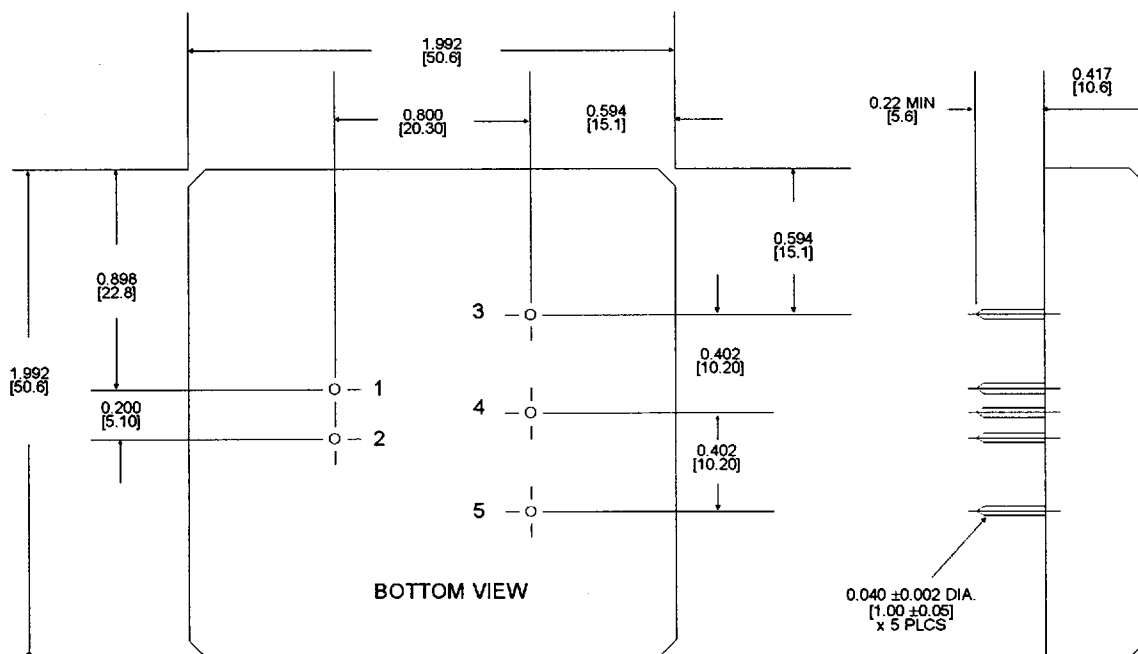
ADM403

Part No.	MAIN	2	3
	VDC/Amps	VDC/Amps	VDC/Amps
ADM403-122	+5 @ 7.00	+12 @ .300	-12 @ .300
ADM403-133	+5 @ 6.20	+15 @ .300	-15 @ .300
ADM403-112	+5 @ 7.00	-5 @ .300	+12 @ .300

Exterior Dimensions: 3.94" x 2.76" x 0.83"  
(100mm x 70mm x 21mm).  
Weight: 350 grams max.  
Detail drawing pg. 8.

## Mechanical Specifications

## ADM050 &amp; 100 SERIES



ADM050 &amp; 100 Terminal Connections

Pin No.	Pin Function	
	Singles	Duals
1	+ Input	+ Input
2	- Input	- Input
3	+ Output	+ Output
4	no connection	Common
5	- Output	- Output

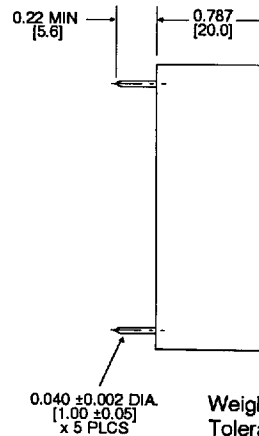
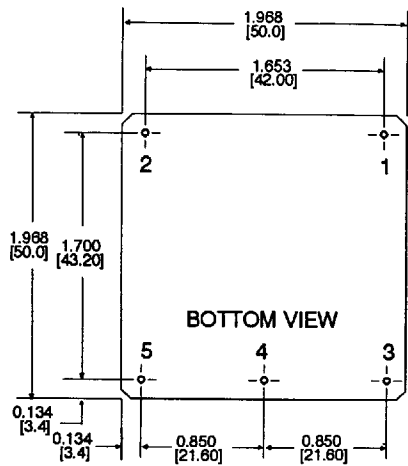
Weight: 100g or less  
Tolerance: .X ±0.02 inches [±0.5mm]  
Tolerance: .XX ±0.01 inches [±0.20mm]  
Dimensions in inches/ [mm].



# Mechanical Specifications

T-90-20

## ADM150 SERIES

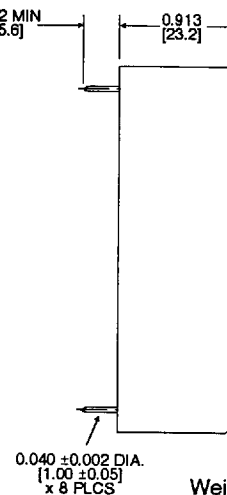
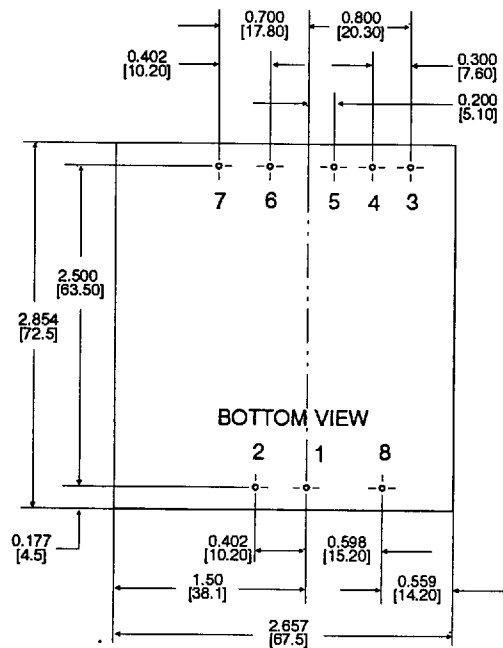


Weight: 120g or less  
 Tolerance: .X ±0.02 inches [±0.5mm]  
 Tolerance: .XX ±0.01 inches [±0.20mm]  
 Dimensions in inches/ [mm].

ADM150 Terminal Connections

Pin No.	Pin Function	
	Singles	Duals
1	+ Input	+ Input
2	- Input	- Input
3	+ Output	+ Output
4	no connection	Common
5	- Output	- Output

## ADM250 & 300 SERIES



Weight: 220g or less  
 Tolerance: .X ±0.02 inches [±0.5mm]  
 Tolerance: .XX ±0.01 inches [±0.20mm]  
 Dimensions in inches/ [mm].

ADM250 & 300 Terminal Connections

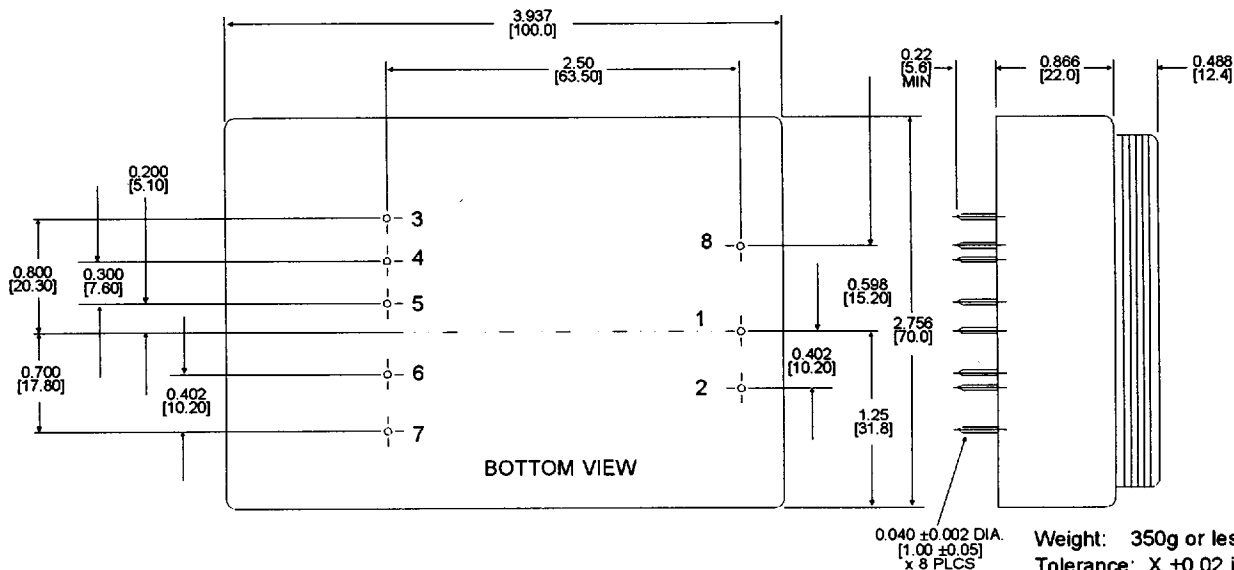
Pin No.	Pin Function			Pin No.	Pin Function		
	Singles	Duals	Triples		Singles	Duals	Triples
1	+ Input	+ Input	+ Input	5	- Sense / Trim Up	no connection	- Output V3
2	- Input	- Input	- Input	6	+ Output	+ Output V1	+ Output V1
3	+ Sense / Trim Down	+ Output V2	+ Output V2	7	- Output	Com 1	Com 1
4	Output Trim	Com 2	Com 2	8	Remote On / Off	Remote On / Off	Remote On / Off



# Mechanical Specifications

T-90-20

## ADM400 SERIES



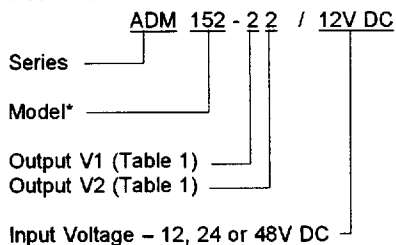
Weight: 350g or less  
 Tolerance: .X ±0.02 inches [±0.5mm]  
 Tolerance: .XX ±0.01 inches [±0.20mm]  
 Dimensions in inches / [mm].

### ADM400 Terminal Connections

Pin No.	Pin Function			Pin No.	Pin Function		
	Singles	Duals	Triples		Singles	Duals	Triples
1	+ Input	+ Input	+ Input	5	- Sense / Trim Up	no connection	- Output V3
2	- Input	- Input	- Input	6	+ Output	+ Output V1	+ Output V1
3	+ Sense / Trim Down	+ Output V2	+ Output V2	7	- Output	Com 1	Com 1
4	Output Trim	Com 2	Com 2	8	Remote On / Off	Remote On / Off	Remote On / Off

## Ordering Information

(Typical part number encoded)



\*Last digit = number of outputs

Table 1. Output Voltage Code

1	= 5V
2	= 12V
3	= 15V
5	= 24V

The ADM Product carries a 1-year warranty.



LH Research, Inc.

14402 Franklin Avenue, Tustin, CA 92680

1-800-LH SALES • FAX 714-669-2562

For price, delivery, and order placement call toll free: 1-800-LH SALES