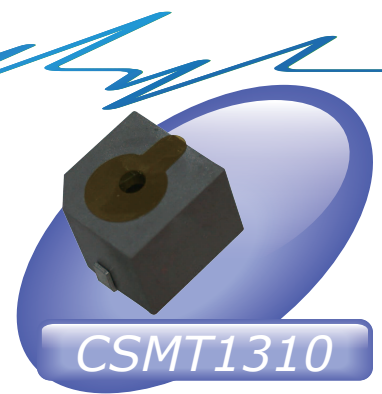
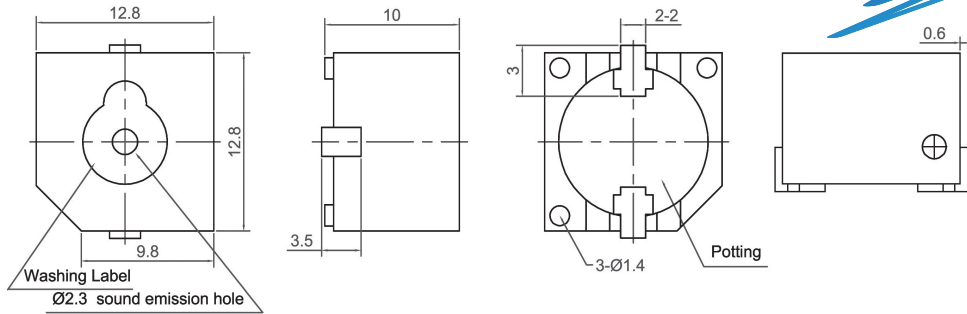
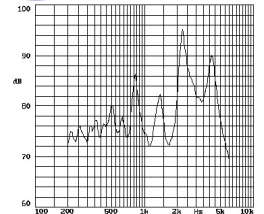


# SMD Magnetic Transducer (AC)

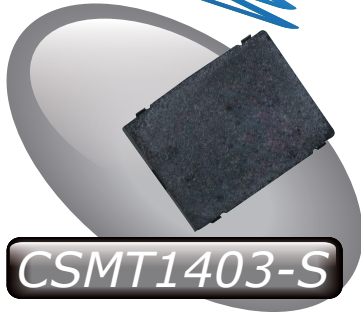


**CSMT1310**

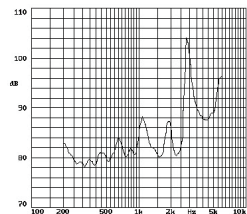
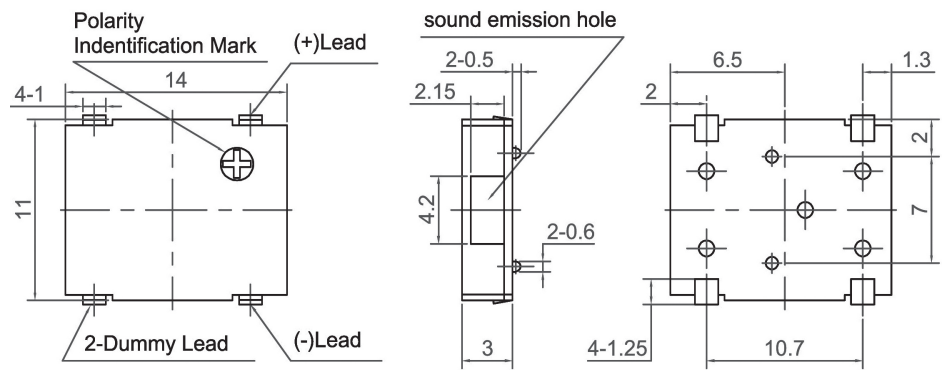
Canopus Part no.	Operating Voltage (V)	Rated Voltage (V)	Max Rated Current (mA)	Coil Resistance ( $\Omega$ )	Min Sound Output (dBA)	Resonant Frequency (Hz)	Operating Temperature ( $^{\circ}$ C)	Housing	Weight (g)
CSMT1310A2400L	1.2 ~ 3	1.5	70	15 $\pm$ 4.5	80 at 10cm	2400	-40 ~ +85	PPS	2
CSMT1310E2400L	4 ~ 8	5	40	47 $\pm$ 5	85 at 10cm	2400	-40 ~ +85	PPS	2
CSMT1310H2400L	8 ~ 16	12	40	140 $\pm$ 14	85 at 10cm	2400	-40 ~ +85	PPS	2



**CANOPUS**



**CSMT1403-S**



Canopus Part no.	Operating Voltage (V)	Rated Voltage (V)	Max Rated Current (mA)	Coil Resistance ( $\Omega$ )	Min Sound Output (dBA)	Resonant Frequency (Hz)	Operating Temperature ( $^{\circ}$ C)	Housing	Weight (g)
CSMT1403A2730LS	1.2 ~ 1.7	1.5	80	9 $\pm$ 2	85 at 10cm	2730	-20 ~ +70	LCP	1
CSMT1403A3200LS	1.2 ~ 1.7	1.5	80	9 $\pm$ 2	85 at 10cm	3200	-20 ~ +70	LCP	1
CSMT1403C2730LS	3 ~ 4.5	3	90	18 $\pm$ 3	87 at 10cm	2730	-20 ~ +70	LCP	1
CSMT1403C3200LS	3 ~ 4.5	3	90	18 $\pm$ 3	87 at 10cm	3200	-20 ~ +70	LCP	1
CSMT1403E2730LS	4 ~ 6	5	70	43 $\pm$ 3	87 at 10cm	2730	-20 ~ +70	LCP	1
CSMT1403E3200LS	4 ~ 6	5	70	43 $\pm$ 3	87 at 10cm	3200	-20 ~ +70	LCP	1

**Your Efficient Supplier**  
[www.canopus.com.hk](http://www.canopus.com.hk)

TEL.: (852) 2806 2812 Fax: (852) 2652 2216