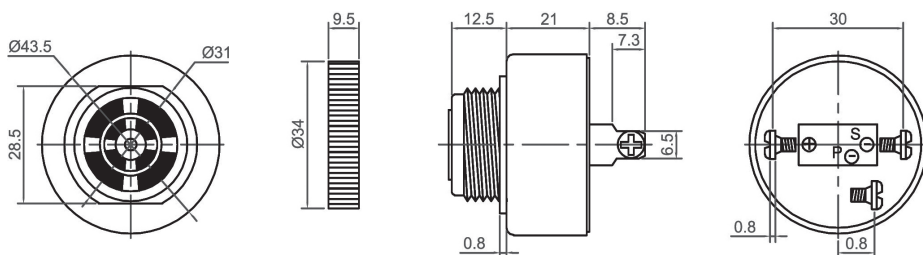


Piezo Buzzer (DC)

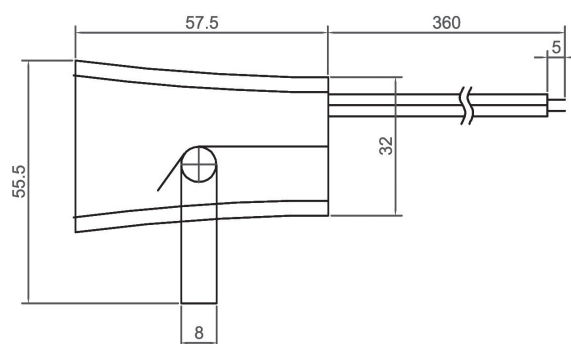
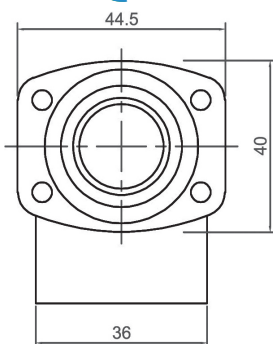


CPB4334

Canopus Part no.	Operating Voltage (VDC)	Rated Voltage (VDC)	Max Rated Current (mA)	Min Sound Output (dBA)	Resonant Frequency (Hz)	Tone Nature	Operating Temperature (°C)	Housing	Weight (g)
CPB4334HC29BE	1 ~ 16	12	30	100 at 30cm	2900 ± 500	Continuous	-20 ~ +60	ABS	35
CPB4334HCD29BE	4 ~ 16	12	25	95 at 30cm	2900 ± 500	Dual	-20 ~ +60	ABS	35
CPB4334HD29BE	4 ~ 16	12	20	90 at 30cm	2900 ± 500	Normal Pulse	-20 ~ +60	ABS	35
CPB4334HF29BE	4 ~ 16	12	20	90 at 30cm	2900 ± 500	Fast Pulse	-20 ~ +60	ABS	35
CPB4334IC29BE	1 ~ 28	24	15	95 at 30cm	2900 ± 500	Continuous	-20 ~ +60	ABS	35
CPB4334ICD29BE	4 ~ 28	24	30	85 at 30cm	2900 ± 500	Dual	-20 ~ +60	ABS	35
CPB4334ID29BE	4 ~ 28	24	22	80 at 30cm	2900 ± 500	Normal Pulse	-20 ~ +60	ABS	35
CPB4334IF29BE	4 ~ 28	24	22	80 at 30cm	2900 ± 500	Fast Pulse	-20 ~ +60	ABS	35



CPB4457



Canopus Part no.	Operating Voltage (VDC)	Rated Voltage (VDC)	Max Rated Current (mA)	Min Sound Output (dBA)	Resonant Frequency (Hz)	Tone Nature	Operating Temperature (°C)	Housing	Weight (g)
CPB4457HM15BW	6 ~ 16	12	250	105 at 30cm	1500 ~ 3500	Siren	-20 ~ +60	ABS	75
CPB4457IM10BW	12 ~ 28	24	150	100 at 30cm	1000 ~ 3500	Siren	-20 ~ +60	ABS	75

CANOPUS

Your Efficient Supplier
www.canopus.com.hk

TEL.: (852) 2806 2812

Fax: (852) 2652 2216