

PLEASE CHECK WWW.MOLEX.COM FOR LATEST PART INFORMATION

Part Number: [0436500326](#)
Status: **Active**
Overview: [microfit_30](#)
Description: 3.00mm (.118") Pitch Micro-Fit 3.0™ Header, Surface Mount Compatible, Single Row, Vertical, with Solder Tab, 3 Circuits, 0.76µm (30µ") Gold (Au) Selective Plating, Glow Wire Compatible

Documents:

[3D Model](#) [Product Specification PS-43650 \(PDF\)](#)
[Drawing \(PDF\)](#) [RoHS Certificate of Compliance \(PDF\)](#)

Agency Certification

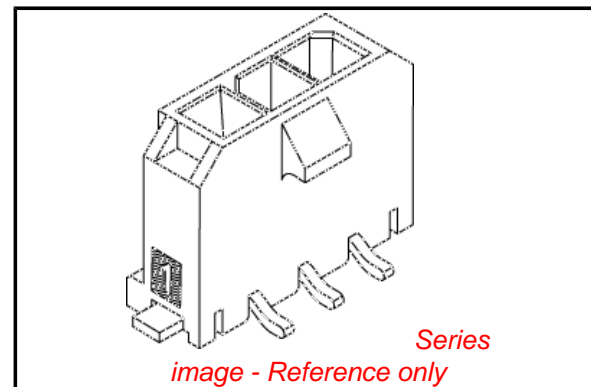
| | |
|-----|-----------|
| CSA | LR19980 |
| TUV | R72081037 |
| UL | E29179 |

General

| | |
|-----------------------------|---|
| Product Family | PCB Headers |
| Series | 43650 |
| Application | Wire-to-Board |
| Comments | High Temperature Square Pin Solder Type |
| Overview | microfit_30 |
| Product Literature Order No | USA-106 |
| Product Name | Micro-Fit 3.0™ |

Physical

| | |
|--------------------------------|--------------------------------|
| Breakaway | No |
| Circuits (Loaded) | 3 |
| Circuits (maximum) | 3 |
| Color - Resin | Black |
| Durability (mating cycles max) | 30 |
| Flammability | 94V-0 |
| Glow-Wire Compliant | Yes |
| Mated Height (in) | 0.680 In |
| Mated Height (mm) | 17.27 mm |
| Material - Metal | Brass |
| Material - Plating Mating | Gold, Tin |
| Material - Plating Termination | Tin |
| Material - Resin | High Temperature Thermoplastic |
| Number of Rows | 1 |
| Orientation | Vertical |
| PCB Locator | Yes |
| PCB Retention | Yes |
| PCB Thickness Recommended (in) | 0.062 In |
| PCB Thickness Recommended (mm) | 1.60 mm |
| Packaging Type | Embossed Tape on Reel |
| Pitch - Mating Interface (in) | 0.118 In |
| Pitch - Mating Interface (mm) | 3.00 mm |
| Plating min: Mating (µin) | 30, 35 |
| Plating min: Mating (µm) | 0.75, 0.88 |
| Plating min: Termination (µin) | 100, 35 |
| Plating min: Termination (µm) | 0.88, 2.5 |
| Polarized to PCB | Yes |
| Shrouded | Fully |
| Stackable | No |
| Temperature Range - Operating | -40°C to +105°C |



EU RoHS

ELV and RoHS Compliant
REACH SVHC Contains SVHC: No
Halogen-Free Status

China RoHS



Halogen-Free

Need more information on product environmental compliance?

Email productcompliance@molex.com
 For a multiple part number RoHS Certificate of Compliance, [click here](#)

Please visit the [Contact Us](#) section for any non-product compliance questions.

Search Parts in this Series

[43650Series](#)

Mates With

[43645 Micro-Fit 3.0™ Receptacle Housing](#)

Termination Interface: Style Surface Mount

Electrical

Current - Maximum per Contact 5A
Voltage - Maximum 250V

Solder Process Data

Duration at Max. Process Temperature (seconds) 30
Lead-free Process Capability Reflow Capable (SMT only)
Max. Cycles at Max. Process Temperature 3
Process Temperature max. C 260

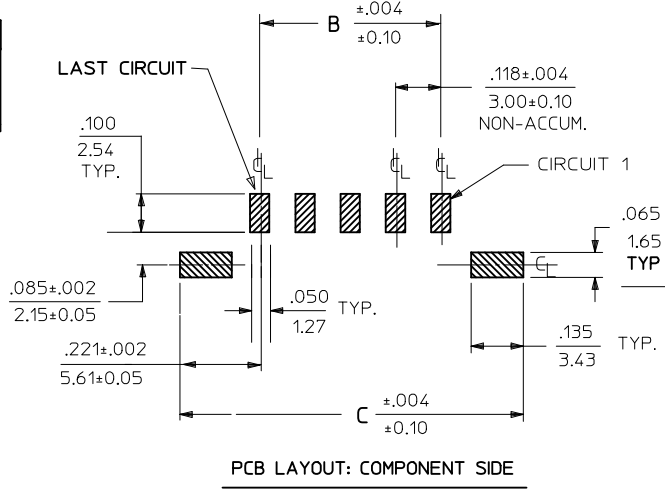
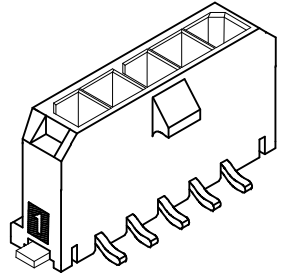
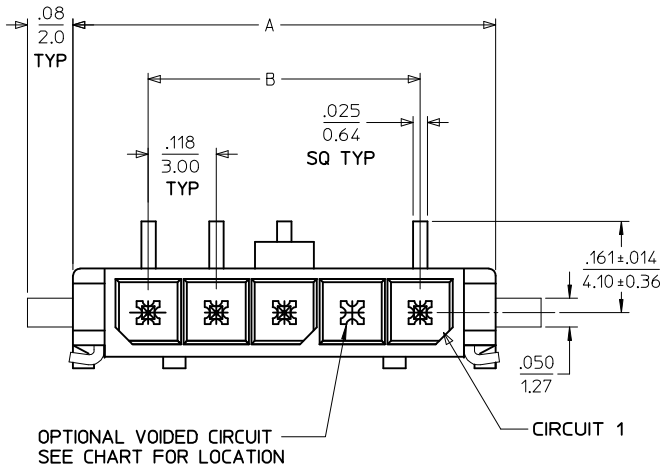
Material Info

Reference - Drawing Numbers

Packaging Specification PK-70873-07**
Product Specification PS-43650
Sales Drawing SD-43650-009
Test Summary TS-43045-002

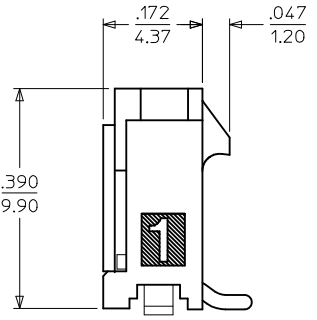
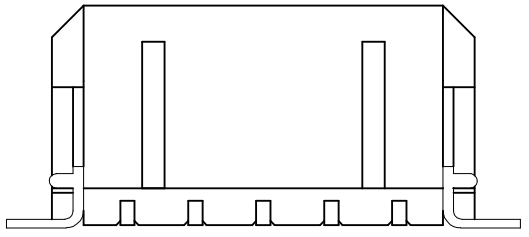
This document was generated on 05/24/2010

PLEASE CHECK WWW.MOLEX.COM FOR LATEST PART INFORMATION

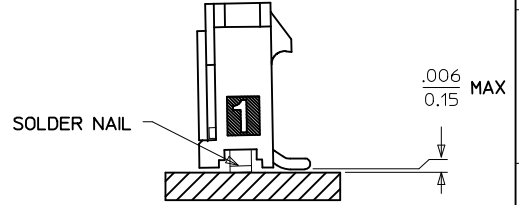


PCB LAYOUT: COMPONENT SIDE

| CKTS | A | B | C |
|------|----------------|----------------|----------------|
| 2 | .380 9.65 | .118 3.00 | .559 14.20 |
| 3 | .498 12.65 | .236 6.00 | .677 17.20 |
| 4 | .616 15.65 | .354 9.00 | .795 20.20 |
| 5 | .734 18.64 | .472 12.00 | .913 23.20 |
| 6 | .852 21.64 | .591 15.00 | 1.031 26.20 |
| 7 | .970 24.64 | .709 18.00 | 1.150 29.20 |
| 8 | 1.088 27.64 | .827 21.00 | 1.268 32.20 |
| 9 | 1.206 30.63 | .945 24.00 | 1.386 35.20 |
| 10 | 1.325 33.66 | 1.063 27.00 | 1.504 38.20 |
| 11 | 1.443 36.65 | 1.181 30.00 | 1.622 41.20 |
| 12 | 1.561 39.65 | 1.299 33.00 | 1.740 44.20 |

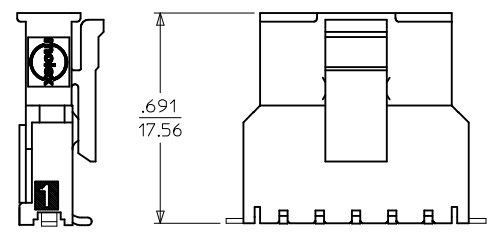


SHOWN WITH DISPOSABLE CAP (FOR REMOVAL FROM TAPE & REEL PACKAGING) SEE NOTE #4



COPLANARITY DETAIL

SEE NOTE #6



MATED MICRO FIT CONNECTORS

NOTES:

- HOUSING MATERIAL: LIQUID CRYSTAL POLYMER, GLASS FILLED, UL94V-0, COLOR: BLACK
TERMINAL MATERIAL: BRASS ALLOY
- FINISH:
A = .000100/(0.00254) MIN. BRIGHT TIN OVER
.000050/(0.00127) MIN. NICKEL
B = .000015/(0.00038) MIN. SELECT GOLD IN CONTACT AREA
.000100/(0.00254) MIN. SELECT MATTE TIN ON SOLDER TAILS
BOTH OVER .000050/(0.00127) NICKEL OVERALL
C = .000030/(0.00076) MIN. SELECT GOLD IN CONTACT AREA
.000100/(0.00254) MIN. SELECT MATTE TIN ON SOLDER TAILS
BOTH OVER .000050/(0.00127) NICKEL OVERALL
* THE PRIMARY SHIPPING CARTON WILL BE LABELED "COMPLIANT TO ROHS DIRECTIVE 2002/95/EC AND ELV ANNEX II OF DIRECTIVE 2000/53/EC." CARTONS WITHOUT THIS LABEL MAY CONTAIN PRODUCT WITH TIN/LEAD IN THE PC TAIL AREA.
- PRODUCT SPECIFICATION: PS-43650
- TAPE AND REEL PACKAGED : SEE MOLEX DRAWING PK-70873-07**
- MATES WITH MICRO FIT (3.0) RECEPTACLE SERIES 43645
- THE COPLANARITY DIMENSION IS ESTABLISHED BY PLACING THE ASSEMBLY ON A FLAT SURFACE. THE DISTANCE FROM THAT SURFACE TO THE BOTTOM OF ANY TERMINAL OR NAIL MUST NOT EXCEED .006/0.15
- PARTS CONFORM TO CLASS 'B' REQUIREMENTS OF COSMETIC SPECIFICATION PS-45499-002.

| CKTS | FINISH A | | FINISH B | | FINISH C | |
|------|--------------|-----------|--------------|-----------|--------------|-----------|
| | MATERIAL NO: | VOID CKTS | MATERIAL NO: | VOID CKTS | MATERIAL NO: | VOID CKTS |
| 02 | 43650-0224 | | 43650-0225 | | 43650-0226 | |
| 03 | 43650-0324 | | 43650-0325 | | 43650-0326 | |
| 04 | 43650-0424 | | 43650-0425 | | 43650-0426 | |
| 05 | 43650-0524 | | 43650-0525 | | 43650-0526 | |
| 06 | 43650-0624 | | 43650-0625 | | 43650-0626 | |
| 07 | 43650-0724 | | 43650-0725 | | 43650-0726 | |
| 08 | 43650-0824 | | 43650-0825 | | 43650-0826 | |
| 09 | 43650-0924 | | 43650-0925 | | 43650-0926 | |
| 10 | 43650-1024 | | 43650-1025 | | 43650-1026 | |
| 11 | 43650-1124 | | 43650-1125 | | 43650-1126 | |
| 12 | 43650-1224 | | 43650-1225 | | 43650-1226 | |
| 03 | 43650-0350 | 2 | | | | |
| 06 | 43650-0650 | 3.5 | | | | |

| | |
|---------------------|-------------|
| ADD VOID PARTS | DESCRIPTION |
| EC NO: UCP2009-3037 | 2009/06/16 |
| DRW:SS0USEK | 2009/06/17 |
| CHKD:MKIPPER | 2009/06/17 |
| APPR:FSMLTH | 2009/06/17 |
| REV | |
| E1 | |

| | |
|-----------------|--|
| QUALITY SYMBOLS | GENERAL TOLERANCES (UNLESS SPECIFIED) |
| ▽=0 | mm |
| ▽=0 | INCH |
| | 4 PLACES ± --- ± --- |
| | 3 PLACES ± --- ± .010 |
| | 2 PLACES ± 0.25 ± .014 |
| | 1 PLACE ± 0.36 ± --- |
| | ANGULAR ± 1/2° |
| | DRAFT WHERE APPLICABLE MUST REMAIN WITHIN DIMENSIONS |

| | | | |
|-----------------|--------------|---------------------|------------------------|
| DIMENSION STYLE | SCALE | DESIGN UNITS | THIRD ANGLE PROJECTION |
| IN/MM | --- | METRIC | |
| DRAWN BY | DATE | TITLE | |
| SAMIEC | 2000/07/07 | MICRO-FIT (3.0) | |
| CHECKED BY | DATE | SINGLE ROW/VERTICAL | |
| MUELLER | 2000/07/07 | SMT/NAILS/REEL | |
| APPROVED BY | DATE | MOLEX INCORPORATED | |
| EDGLEY | 2000/07/07 | | |
| MATERIAL NO. | DOCUMENT NO. | SHEET NO. | |
| SEE CHART | SD-43650-009 | 1 OF 1 | |

THIS DRAWING CONTAINS INFORMATION THAT IS PROPRIETARY TO MOLEX INCORPORATED AND SHOULD NOT BE USED WITHOUT WRITTEN PERMISSION