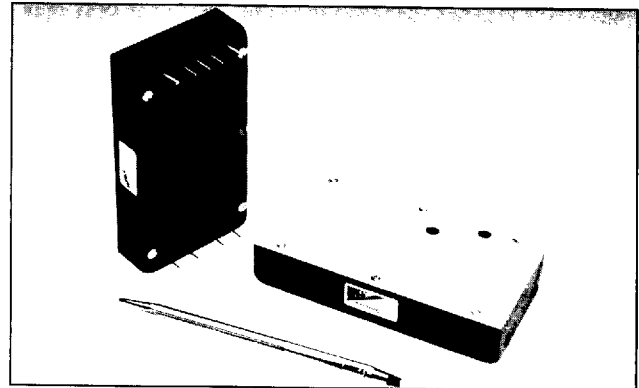


HD SERIES

UP TO 150 WATTS

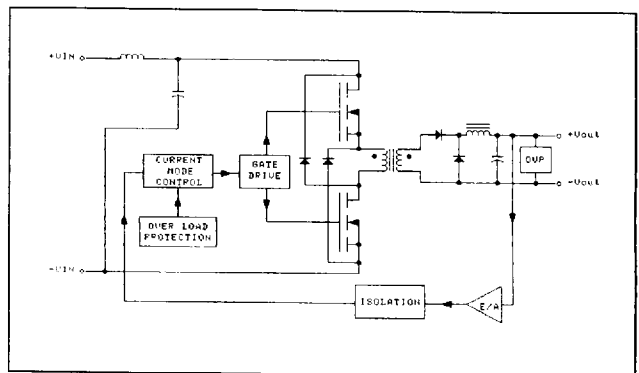
FEATURES

- Single, Dual and Triple Outputs
- Wide Input Voltage Range
- Active Current Sharing
- 2.4" x 4.6" Footprint
- Fixed Frequency Operation
- Five Year Warranty



The HD Series from Wall Industries

The HD Series of DC/DC converters boasts single, dual and triple output configurations from an industry standard footprint with up to 150 watts of output power. Appropriate for commercial applications, these ruggedized converters are fully encapsulated and stand one inch tall. Baseplates are equipped with six threaded inserts to accommodate chassis, cold-plate, or PC board mounting.



Single Simplified Schematic

SPECIFICATIONS

All specifications apply @ + 25°C ambient unless otherwise noted.

INPUT SPECIFICATIONS

Input Voltage Range 18-36, 20-60, 36-72VDC
 Input Filter Pi-Input Filter
 Remote On/Off Control Open Collector TTL

OUTPUT SPECIFICATIONS

Output Current see table
 Voltage Tolerance ± 1%
 Output Trim (external) ± 10% (primary only)
 Line Regulation ± 0.1%
 Load Regulation ± 0.5%
 Short Circuit Protection continuous
 Over Voltage Protection self resetting crowbar
 Ripple/Noise (20MHz BW) 1% of Vout
 Output Transient Response w/in 1% steady state value in 150 µSec for 25% load change

GENERAL SPECIFICATIONS

Efficiency 80% typical
 Isolation Voltage, input to output 500 VDC
 Isolation Resistance 100MΩ
 Remote Sense (singles) up to 0.3VDC drop in power leads
 Switching Frequency 250KHz 'typical'
 Turn On Delay 250mSec

ENVIRONMENTAL SPECIFICATIONS

Humidity 20% - 95% R.H. (non-condensing)
 Temperature Coefficient 0.02% per °C
 Operating Temperature -25 to +85°C baseplate
 Storage Temperature -55 to +100°C

PHYSICAL SPECIFICATIONS

Dimensions 2.4 x 4.6 x 1.0"
 Case Material Black epoxy coated metal, aluminum baseplate

Due to advances in technology, specifications subject to change without notice.

Wall Industries, Inc. • 5 Watson Brook Road • Exeter, NH 03833 • 603-778-2300 • FAX: 603-778-9797

HD

■ 9564164 0000242 104 ■

