

PLEASE CHECK WWW.MOLEX.COM FOR LATEST PART INFORMATION

Part Number: [0014567100](#)
Status: **Active**
Overview: [cgrid_sl_products](#)
Description: 2.54mm (.100") Pitch SL™ Insulation Displacement Connector Assembly, Female, Single Row, Version C, Front Ribs, Wire Size 22, 3.81µm (150µ") Tin/Lead (SnPb), 10 Circuits

Documents:

[3D Model](#) [Product Specification PS-70400 \(PDF\)](#)
[Drawing \(PDF\)](#) [RoHS Certificate of Compliance \(PDF\)](#)

Agency Certification

CSA LR19980
 UL E29179

General

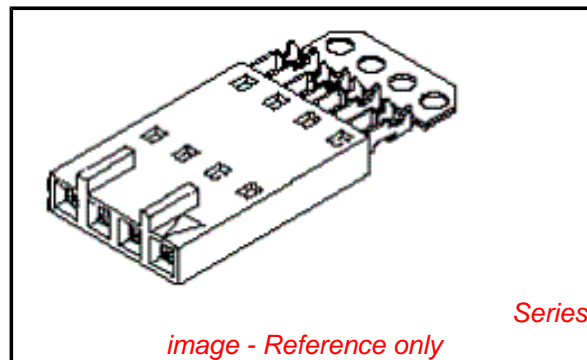
Product Family Ribbon Cable / Wire Trap Connectors
 Series [70400](#)
 Comments Terminals Preloaded
 Component Type Housing
 Glow-Wire Compliant No
 Overview [cgrid_sl_products](#)
 Product Name SL™

Physical

Circuits (Loaded) 10
 Color - Resin Black
 Durability (mating cycles max) 25
 Entry Angle Vertical
 Flammability 94V-0
 Lock to Mating Part None
 Material - Metal Phosphor Bronze
 Material - Plating Mating Tin
 Material - Plating Termination Tin
 Material - Resin Polyester Alloy
 Number of Rows 1
 PCB Retention None
 Packaging Type Tube
 Pitch - Mating Interface (in) 0.100 In
 Pitch - Mating Interface (mm) 2.54 mm
 Plating min: Mating (µin) 150
 Plating min: Mating (µm) 3.75
 Plating min: Termination (µin) 75
 Plating min: Termination (µm) 1.875
 Polarized to Mating Part Yes
 Stackable Yes
 Surface Mount Compatible (SMC) N/A
 Temperature Range - Operating -40°C to +105°C
 Termination Interface: Style IDT or Pierce
 Wire Insulation Diameter 1.35mm (.053") max.
 Wire Size AWG 22
 Wire/Cable Type Discrete Wire, Ribbon Cable

Electrical

Current - Maximum per Contact 3A
 Voltage - Maximum 250V



EU RoHS

ELV and RoHS Compliant
REACH SVHC Contains SVHC: No
Halogen-Free Status
Not Reviewed

China RoHS



Need more information on product environmental compliance?

Email productcompliance@molex.com
 For a multiple part number RoHS Certificate of Compliance, [click here](#)

Please visit the [Contact Us](#) section for any non-product compliance questions.

Search Parts in this Series

[70400Series](#)

Mates With

[70544](#), [70546](#), [70554](#), [70556](#)

Use With

[7307](#) Tinned 28AWG, [7767](#) Topcoat 28AWG, [24241](#) Tinned 26AWG, [8996](#) Topcoat 26AWG, [24226](#) Tinned 24AWG, [8997](#) Topcoat 24AWG, [24369](#) High Flex 26AWG, [24389](#) High Flex 24AWG

Application Tooling | FAQ

Tooling specifications and manuals are found by selecting the products below. Crimp Height Specifications are then contained in the Application Tooling Specification document.

Global

| Description | Product # |
|---|----------------------------|
| Hawk Semi-Automatic Discrete Wire Terminator for SL - Rebuilt US* | 0011201337 |

Material Info

Reference - Drawing Numbers

Product Specification
Sales Drawing

PS-70400
SDA-70400-3035-3058

| | |
|--|-------------------|
| Hawk™ Ribbon Cable Terminator for SL without Break-off | <u>0623003000</u> |
| Hawk™ Semi- Automatic Discrete Wire Terminator for SL - Rebuilt CE Approved* | <u>0623004900</u> |
| Hawk™ Flat Flex Cable Terminator for SL with Break-off | <u>0623005200</u> |
| Hawk™ Ribbon Cable Terminator with for SL Break-off | <u>0623005300</u> |
| IDT Discrete Handtool Module for SL™ | <u>0621000700</u> |
| Hawk™ Semi- Automatic Discrete Wire Terminator for SL | <u>0623003100</u> |

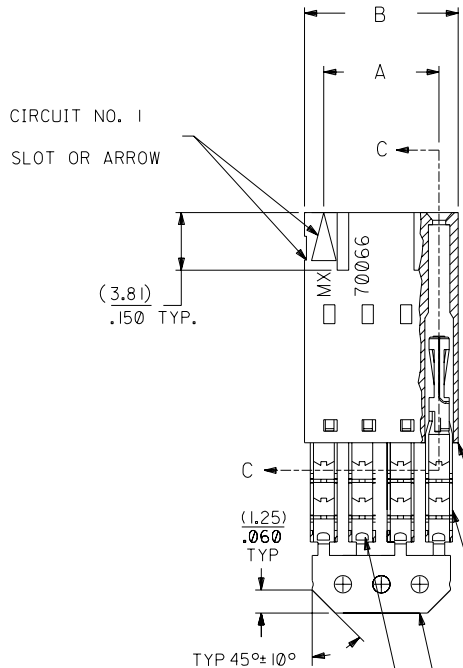
This document was generated on 05/21/2010

PLEASE CHECK WWW.MOLEX.COM FOR LATEST PART INFORMATION

OPTION C

NOTES:

- 1) TO BE USED WITH (22) AWG. STRANDED WIRE WITH (1.35)/.053 DIA. MAX. INSULATION.
- 2) SEE CHART FOR CIRCUIT SIZES.
- 3) STANDARD PACKAGING PER PK-70400-0001. OPTIONAL PACKAGING MAY BE AVAILABLE, REQUEST DWG. PK-70400
- 4) PARTS STACKABLE END TO END ON (2.54)/.100 CENTERS.
- 5) REFER TO PRODUCT SPECIFICATION: PS-70400.
- 6) SEE DWG. SDA-70400-**** (SHT. 5) FOR OPTIONAL HOUSING DETAILS.
- 7) 4 CIRCUIT SHOWN. 4 - 25 CKT.'S. HAVE (2) RIBS.
- 8) TO MATE WITH MOLEX PART NO.'S.: A-70374-****, A-70376-****, A-70390-****, A-70392-****, A-70544-****, A-70554-****, A-70542-****, A-70552-****, A-70546-****, A-70556-****.
- 9) 2 CIRCUIT ASSEMBLIES SUPPLIED AS GROUPED PAIRS.



| I.D. SLOT CODE TO WIRE GAUGE CHART | |
|------------------------------------|------------|
| I.D. SLOT CODE | WIRE GAUGE |
| D | 22 AWG. |

| PLATING CODE (STRIPE ON CARRIER STRIP) | |
|--|-------|
| PLATING | COLOR |
| TIN | NONE |

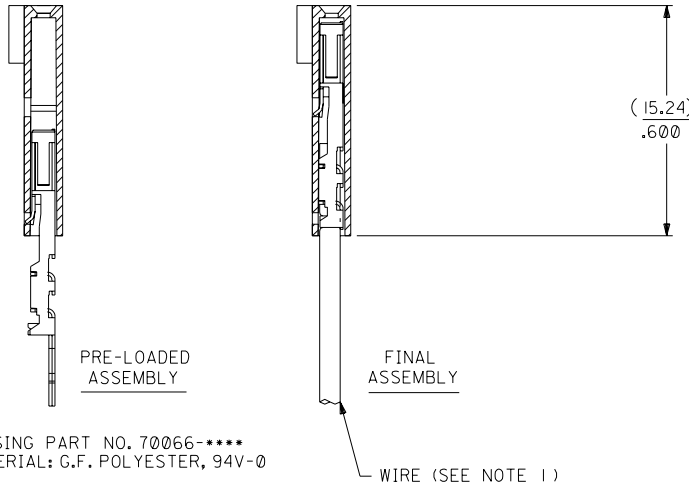
HOUSING PART NO. 70066-****
MATERIAL: G.F. POLYESTER, 94V-0

TERMINAL PART NO. 70028-****
MATERIAL: PHOSPHOR BRONZE
PLATING PER ES-88-***

TIN - .000150 MIN. TIN OVER
.000050 MIN. NICKEL PLATE.



SECTION C-C



| CKT. SIZE | A | B | EDP. NO. | ENG. NO. |
|-----------|--------------------|--------------------|------------|--------------|
| 2 | (2.54) .100 | (5.05) .199 | 14-56-7020 | A-70400-3035 |
| 3 | (5.08) .200 | (7.59) .299 | 14-56-7030 | A-70400-3036 |
| 4 | (7.62) .300 | (10.13) .399 | 14-56-7040 | A-70400-3037 |
| 5 | (10.16) .400 | (12.67) .499 | 14-56-7050 | A-70400-3038 |
| 6 | (12.70) .500 | (15.21) .599 | 14-56-7060 | A-70400-3039 |
| 7 | (15.24) .600 | (17.75) .699 | 14-56-7070 | A-70400-3040 |
| 8 | (17.78) .700 | (20.29) .799 | 14-56-7080 | A-70400-3041 |
| 9 | (20.32) .800 | (22.83) .899 | 14-56-7090 | A-70400-3042 |
| 10 | (22.86) .900 | (25.37) .999 | 14-56-7100 | A-70400-3043 |
| 11 | (25.54) 1.000 | (27.91) 1.099 | 14-56-7110 | A-70400-3044 |
| 12 | (27.94) 1.100 | (30.45) 1.199 | 14-56-7120 | A-70400-3045 |
| 13 | (30.48) 1.200 | (32.99) 1.299 | 14-56-7130 | A-70400-3046 |
| 14 | (33.02) 1.300 | (35.53) 1.399 | 14-56-7140 | A-70400-3047 |
| 15 | (35.56) 1.400 | (38.07) 1.499 | 14-56-7150 | A-70400-3048 |
| 16 | (38.01) 1.500 | (40.61) 1.599 | 14-56-7160 | A-70400-3049 |
| 17 | (40.64) 1.600 | (43.15) 1.699 | 14-56-7170 | A-70400-3050 |
| 18 | (43.18) 1.700 | (45.69) 1.799 | 14-56-7180 | A-70400-3051 |
| 19 | (45.72) 1.800 | (48.23) 1.899 | 14-56-7190 | A-70400-3052 |
| 20 | (48.26) 1.900 | (50.77) 1.999 | 14-56-7200 | A-70400-3053 |
| 21 | (50.80) 2.000 | (53.31) 2.099 | 14-56-7210 | A-70400-3054 |
| 22 | (53.34) 2.100 | (55.85) 2.199 | 14-56-7220 | A-70400-3055 |
| 23 | (55.88) 2.200 | (58.39) 2.299 | 14-56-7230 | A-70400-3056 |
| 24 | (58.42) 2.300 | (60.93) 2.399 | 14-56-7240 | A-70400-3057 |
| 25 | (60.96) 2.400 | (63.47) 2.499 | 14-56-7250 | A-70400-3058 |

*THE PRIMARY SHIPPING CARTON WILL BE LABELED "COMPLIANT TO ROHS DIRECTIVE 2002/95/EC AND ELV ANNEX II OF DIRECTIVE 2000/53/EC". CARTONS WITHOUT THIS LABEL MAY CONTAIN PRODUCT WITH LEAD.

| | | | | | | | |
|------|---|------|--|---------------|--|--|---------------------------|
| E | LEAD FREE UCP2004-1769 RWHITE 04/03/22 | C | REVISED PER ECR NO. U82110 10-17-88 | AAB | DIMENSIONS SHOWN (METRIC) INCH UNLESS OTHERWISE SPECIFIED TOLERANCES: ANGULAR ± 1/2° | ▽ = 0 ▼ = 0 | REVISE ONLY ON CAD SYSTEM |
| DI | ADD CARRIER CHAMF ECN #UDT1998-0280 05/20/98 LMCGRATH | B | REVISE PER ECR #U80110 2/3/88 MJM | B | INCH METRIC 3 PLACE ± .010 --- 2 PLACE ± .014 ± 0.25 1 PLACE --- ± 0.35 | TITLE ASSEMBLY, SL CONNECTOR (SINGLE ROW- (2.54)/.100 GRID) | |
| D | 164 PLATING WAS 102 PER ECR # U30941 07/07/93 REED | A | RELEASE FOR PROD. PER ERO NO. 25421 10-26-87 | AAB | DRAFT WHERE APPLICABLE MUST REMAIN WITHIN DIMENSIONS | MOLEX INCORPORATED SHEET NO. DATE LISLE, ILL. 60532 U.S.A. 10/26/87 | |
| LTR. | REVISIONS | LTR. | REVISIONS | DRWG. BY: AAB | CHK'D BY: WAZ | PART NO. SDA-70400-3035-3058 SEE CHART | |
| | | | | APP'D BY: | SCALE: 4:1 | THIS DRAWING CONTAINS INFORMATION THAT IS PROPRIETARY TO MOLEX INC. AND SHOULD NOT BE USED WITHOUT WRITTEN PERMISSION. | |