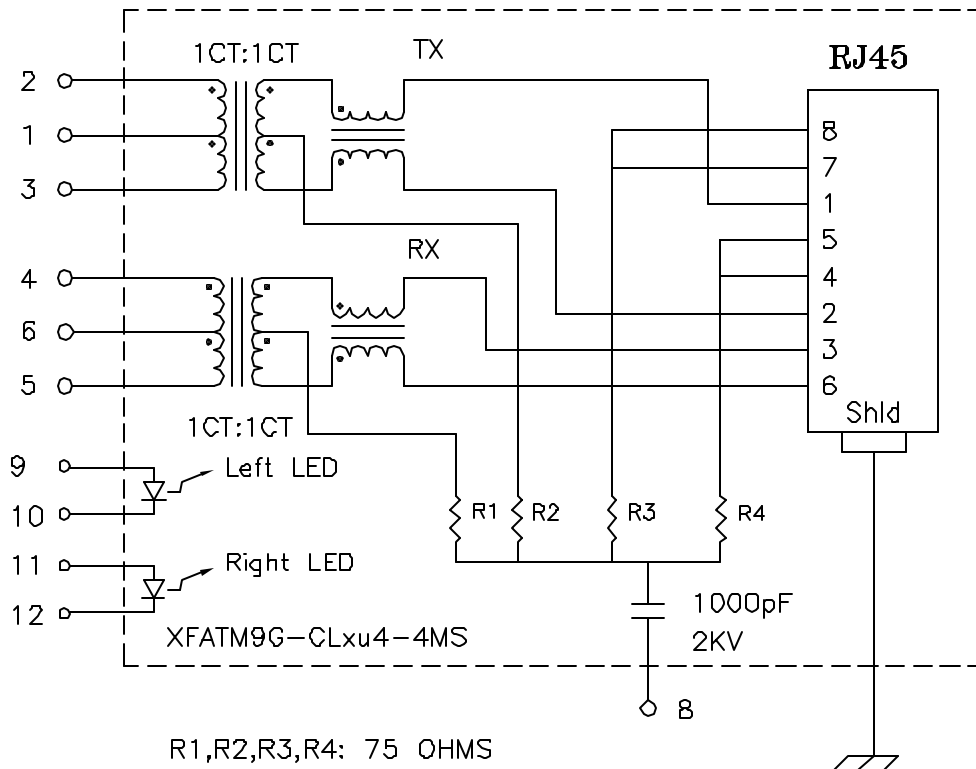


1. Schematic:



2. Electrical Specifications: @25°C

Isolation Voltage: 1500 Vrms (Input to Output)

Isolation Voltage: 500 Vrms (P1+2+3 to P4+5+6)

Turns Ratio: TX 1CT:1CT $\pm 3\%$ RX 1CT:1CT $\pm 3\%$

CABLE SIDE OCL: 350uH Minimum @100KHz 100mV 8mADC

Cw/w: 27pF Typical @100KHz 100mV

Insertion Loss (300KHz-100MHz): -1.0dB Maximum

Return Loss: @30MHz -18dB Minimum

@80MHz -12dB Minimum

Complete the Combo P/N as follows:

Replace 'x' & 'u' in the part number with one of the LED color letters:

Y=Yellow 'x' = Left LED Color
G=Green 'u' = Right LED Color

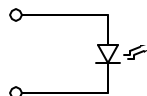
A=Amber

R=Red

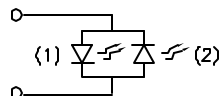
N=Yellow{1}/Green{2} Bicolor

M=Green{1}/Yellow{2} Bicolor

Single Color LED:



Bi-Color LED:



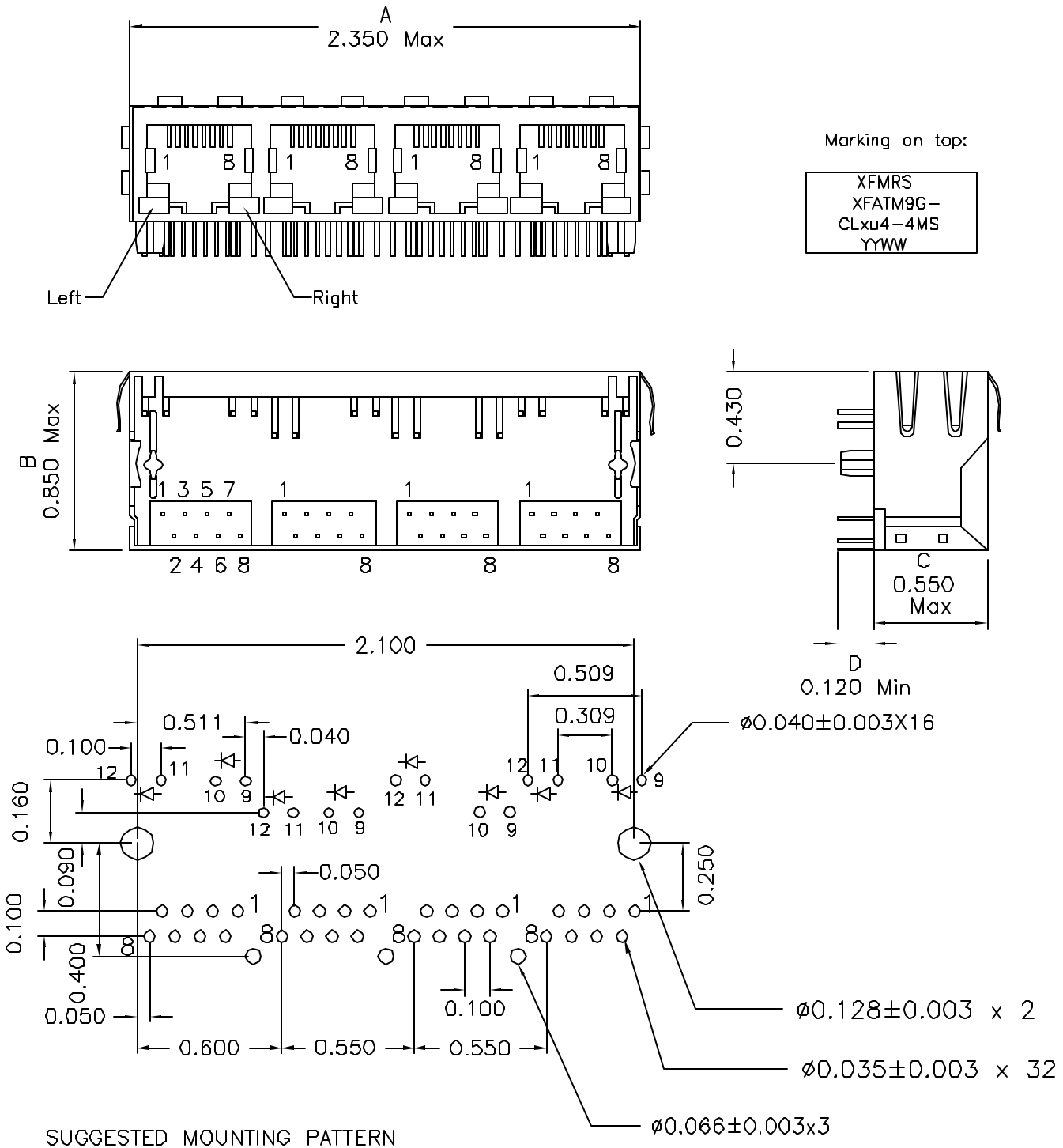
Notes:

- Solderability: Leads shall meet MIL-STD-202, Method 208D for solderability.
- Flammability: UL94V-0
- ASTM oxygen index: > 28%
- Insulation System: Class F 155°C. UL file E151556
- Operating Temperature Range: All listed parameters are to be within tolerance from -40°C to +85°C
- Storage Temperature Range: -55°C to +125°C
- Aqueous wash compatible

DOC. REV: A/1

XFMRs Inc.	Title: FOUR PORT COMBO		
	UNLESS OTHERWISE SPECIFIED	P/N: XFATM9G-CLxu4-4MS	REV. A
TOLERANCES: .xx ± 0.25	DWN.	罗振江	Jul-16-03
Dimensions in MM	CHK.	廖玉坤	Jul-16-03
SHEET 1 OF 2	APP.	Joe Huff	Jul-16-03

3. Mechanical Dimensions: (FOR CLxu4-4MS)



XFMRS Inc.	Title: FOUR PORT COMBO w/ LED's	
	UNLESS OTHERWISE SPECIFIED TOLERANCES: .xxx ±0.010 Dimensions in Inch	P/N: XFATM9G-CLxu4-4MS REV. A
DOC REV: A/1	SHEET 2 OF 2	APP. Joe Huff
		CHK. 李小锋
		DWN. 刘鹏
		Jul-16-03
		Jul-16-03
		Jul-16-03