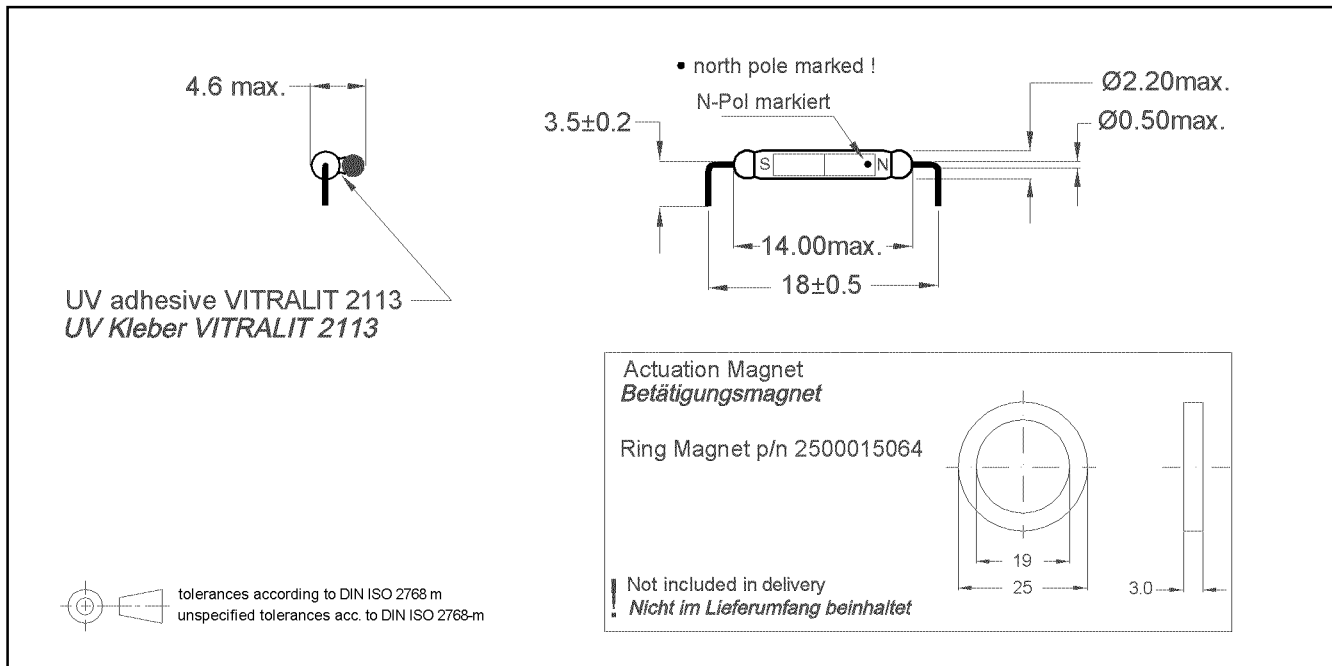


Products for tomorrow...



Magnetic properties	Conditions	Min	Typ	Max	Unit
Pull-In excitation (modified contact)	Reed switch modified phys. conditioned tolerance of +/- 1 AT	50		70	AT
Test-Coil	Reed switch modified	KMS-21			

Contact data 66/1	Conditions	Min	Typ	Max	Unit
Contact-No.		66/1			
Contact-form		E - bistable NO			
Contact-material		Rhodium			
Contact rating	Any DC combination of V & A not to exceed their individual max.'s			10	W
Switching voltage	DC or Peak AC			100	V
Switching current	DC or Peak AC			0,5	A
Carry current	DC or Peak AC			1	A
Contact resistance static	Measured with 40% overdrive Start Value			150	mOhm
Contact resistance dynamic	Maximum value 1,5 ms after excitation Start Value			200	mOhm
Insulation resistance	RH <45 %, 200 V test voltage	1			GOhm
Breakdown voltage (>20 AT)	according to IEC 255-5	200			VDC
Operate time incl. bounce	measured with 40% overdrive			0,7	ms
Release time	measured with no coil excitation			0,1	ms

Environmental data	Conditions	Min	Typ	Max	Unit
Remarks 1.		magnetic latching cont. with internal AlNiCo magn.			
Shock	1/2 sine wave duration 11ms			50	g
Vibration	from 10 - 2000 Hz			20	g
Ambient temperature		-20		130	°C
Storage temperature		-55		130	°C
Soldering temperature	wave soldering max. 5 sec.				

General data	Conditions	Min	Typ	Max	Unit
Remarks 3.		Do not mount around ferromagnetic materials.			
Remarks 4.		Do not cut or bend the switch leads.			