

## 28:4 LVDS Transmitter

### GENERAL DESCRIPTION

The CS5824 receives four sets of 7-bit data in CMOS logic level and converts them into four low-voltage differential signaling (LVDS) serial channels. The 7-bit input data is referenced to the CKIN signal. The RF pin selects either rising or falling edge trigger of CKIN. Parallel to serial conversion is performed by a 7X internal generated clock reference using on-chip PLL using CKIN. A copy of CKIN but phase-locked to the output serial streams, CLKOUT, is also converted to the fifth LVDS channel. The CS5824 offers a reliable communication media using LVDS signaling and provides low EMI dealing with wide, high-speed TTL interfaces.

This is especially attractive for interfaces between GUI controller and display systems such as LCD panels for SVGA/XGA/SXGA applications.

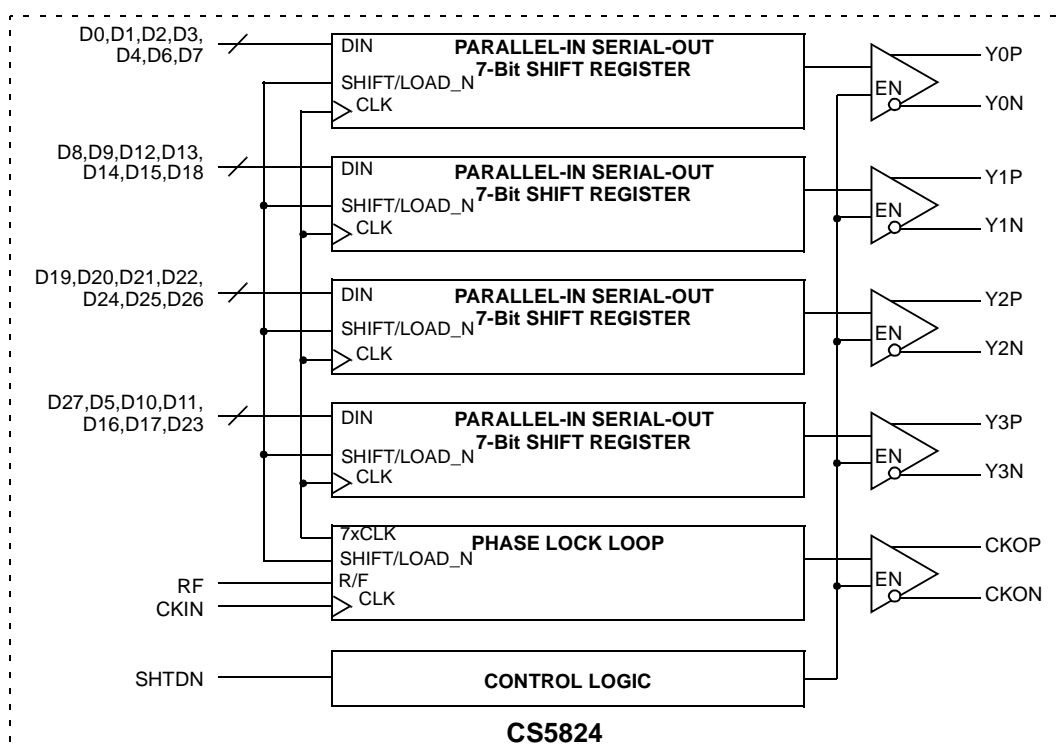
### FEATURES

- Four 7-bit serial and one clock LVDS channels.
- Compatible with ANSI TIA/EIA-644 LVDS standard.
- Wide CKIN ranges from 31MHz to 68MHz.
- Fully integrated on-chip PLL that provides 7X CKIN serial shift clock.
- Pin selectable for rising or falling edge trigger.
- Support power-down mode.
- 5V/3.3V tolerant data input.
- Single 3.3V supply operation.
- CMOS low power consumption.
- Functional compatible with DS90C385.
- Available in 56-pin TSSOP package.

### BLOCK DIAGRAM

DataSheet4U.com

DataShee



### Myson Century, Inc.

#### Taiwan:

No. 2, Industry East Rd. III,  
 Science-Based Industrial Park, Hsin-Chu, Taiwan  
 Tel: 886-3-5784866 Fax: 886-3-5784349

#### USA:

4020 Moorpark Avenue Suite 115  
 San Jose, CA, 95117  
 Tel: 408-243-8388 Fax: 408-243-3188

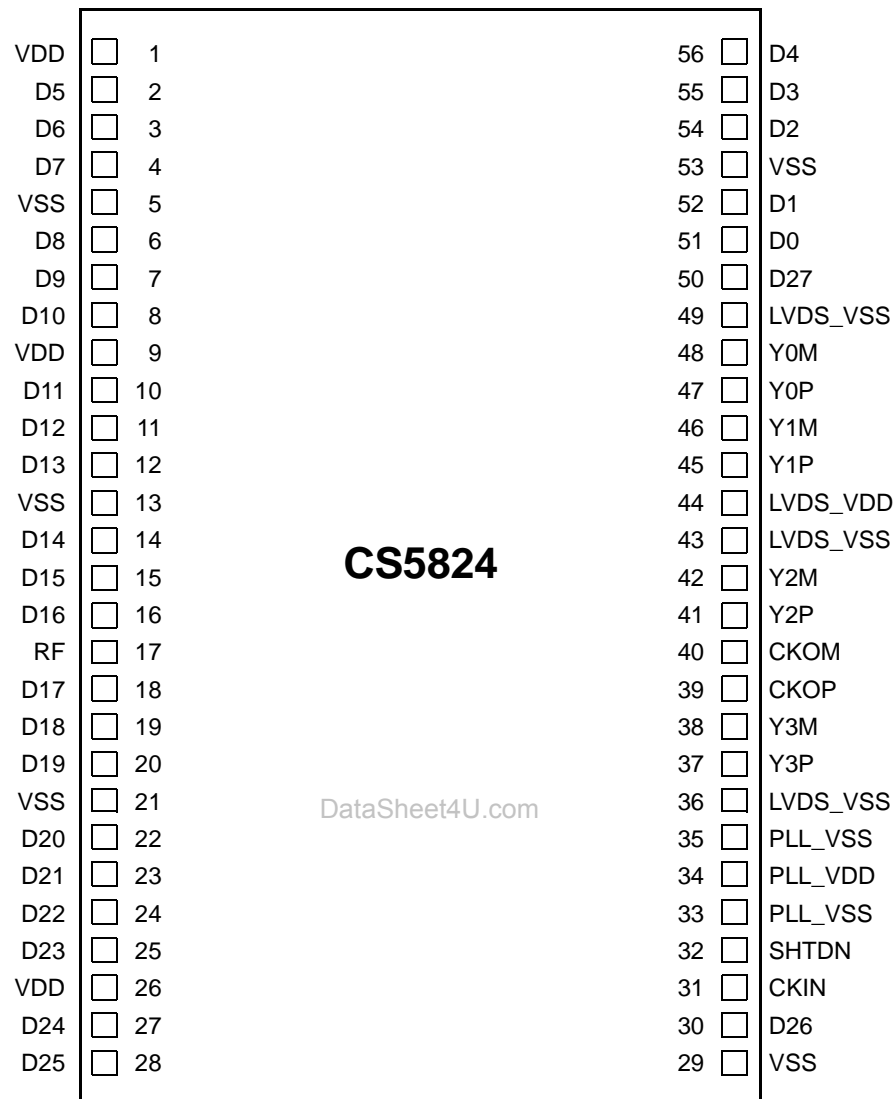
Sales@myson.com.tw

www.myson.com.tw

Rev.1.4 August 2002

www.DataSheet4U.com

page 1 of 13

**PIN CONNECTION DIAGRAM****Figure-1 56-pin TSSOP**

**PIN DESCRIPTION**

| Name                            | I/O | Description  |
|---------------------------------|-----|--|
| D0,D1,D2,D3,D4,<br>D6,D7        | I   | Parallel data input for Y0 LVDS channel. D[0] is LSB and D[7] is MSB. MSB is shifted out first.  |
| D8,D9,D12,D13,<br>D14,D15,D18   | I   | Parallel data input for Y1 LVDS channel. D[8] is LSB and D[18] is MSB.   |
| D19,D20,D21,D22,<br>D24,D25,D26 | I   | Parallel data input for Y2 LVDS channel. D[19] is LSB and D[26] is MSB.  |
| D27,D5,D10,D11,<br>D16,D17,D23  | I   | Parallel data input for Y3 LVDS channel. D[27] is LSB and D[23] is MSB.  |
| CKIN                            | I   | Parallel input clock. This clock signal is used for parallel data reference. It is also used by the on-chip PLL to generate the 7X shift clock for parallel to serial conversion.  |
| RF                              | I   | Rise/fall select. This pin selects the polarity of the CKIN edge for data input. RF = 1 selects CKIN rise edge, and RF = 0 selects CKIN fall edge.   |
| SHTDN                           | I   | Shutdown control (low active). When SHTDN is low, the internal PLL is put into inhibit mode and all LVDS output channels are shut off. This also resets all internal registers. For normal operation, SHTDN should be set to high.                               |
| Y0P, Y0N                        | O   | Y0 LVDS channel output. These are differential LVDS outputs for Y0 channel corresponds to D0, D1, D2, D3, D4, D6, D7.  |
| Y1P, Y1N                        | O   | Y1 LVDS channel output. These are differential LVDS outputs for Y1 channel corresponds to D8, D9, D12, D13, D14, D15, D18.   |
| Y2P, Y2N                        | O   | Y2 LVDS channel output. These are differential LVDS outputs for Y2 channel corresponds to D19, D20, D21, D22, D24, D25, D26.   |
| Y3P, Y3N                        | O   | Y3 LVDS channel output. These are differential LVDS outputs for Y3 channel corresponds to D27, D5, D10, D11, D16, D17, D23.  |
| CKOP, CKON                      | O   | Clock LVDS channel output. These are differential LVDS output for the replica of CKIN signal. CKOP and CKON are derived from the internal phase lock loop and phase aligned with the serial data output and can be used by the LVDS receiver for reference edge. |
| PLL_VDD                         | P   | Power supply for PLL circuit.  |
| PLL_VSS                         | P   | Power ground for PLL circuit.  |
| LVDS_VDD                        | P   | Power supply for output buffer circuits.   |
| LVDS_VSS                        | P   | Power ground for output buffer circuits.   |
| VDD                             | P   | Power supply for internal circuits.  |
| VSS                             | P   | Power ground for internal circuits.  |

## FUNCTIONAL DESCRIPTION

### Control logic

There are two modes in this circuit. One is normal mode, and another is power down mode. Two modes are controlled by the control signal "SHTDN". If SHTDN is high, the circuit is in the normal mode, else if low, the circuit is in the power down mode. In the power down mode, every block is off to make sure the least power consumption.

### 7 x CLK PLL

7 x CLK PLL, which is a phase lock loop, generates seven times clock of CKIN. The signal "RF" indicates that the input data (D0 ~ D27) is rising edge or falling edge trigger by CKIN. If RF=1, it is rising edge trigger, else if RF=0, it is falling trigger. This seven times clock of CKIN is used by the Parallel ~ LOAD 7 Bit shift Register. 7 x CLK PLL also generate the control signal "SHIFT/LOAD". This signal is also used by the Parallel ~ LOAD 7 Bit Shift Register to indicate when to load data or shift data.

### Parallel ~ LOAD 7 Bit shift Register

This block transfers 7 bits parallel data into one bit series data out. It is controlled by SHIFT/LOAD. If this control signal is low, the data are loaded into shift registers. Next, the SHIFT/LOAD turns high to shift data from shift register to output buffer seven times. One load and then seven shift.

### Ref:

There are two properties in this block. One is that it supports reference voltage to fine the output's common mode voltage. Another is that it generates about (4ns ~6ns) pulse width's power on reset signal. When power on, all block would be reset by power on reset signal to make sure that the circuit would not stuck-at some situation we do not care.

### Output buffer

There are four data output buffers and one clock output buffer. Output buffer generates differential pair output that swing is under 500 ~ 900mV, and common-mode voltage is under 1.125V ~ 1.375V.

**RECOMMENDED OPERATING CONDITIONS**

| Symbol   | Parameter                      | Min | Typ | Max | Unit               |
|----------|--------------------------------|-----|-----|-----|--------------------|
| $V_{CC}$ | Supply voltage                 | 3   | 3.3 | 3.6 | V                  |
| $V_{IH}$ | High-level input voltage       | 2   | -   | -   | V                  |
| $V_{IL}$ | Low-level input voltage        | -   | -   | 0.8 | V                  |
| $Z_L$    | Differential load impedance    | 90  | -   | 132 | $\Omega$           |
| $T_A$    | Operating free-air temperature | 0   | -   | 70  | $^{\circ}\text{C}$ |

**TIMING REQUIREMENTS**

| Symbol   | Parameter  | Min      | Typ | Max      | Unit |
|----------|--|----------|-----|----------|------|
| $t_C$    | Input clock period   | 14.7     |     | 32.4     | ns   |
| $t_W$    | Pulse duration, high-level input clock   | $0.4t_C$ |     | $0.6t_C$ | ns   |
| $t_t$    | Transition time, Input signal  |          |     | 5        | ns   |
| $t_{su}$ | Setup time, data, D0~D27 valid before CKIN $\downarrow$ (RF = 0) or CKIN $\uparrow$ (RF = 1) | 3        |     |          | ns   |
| $t_h$    | Hold time, data, D0~D27 valid after CKIN $\downarrow$ (RF = 0) or CKIN $\uparrow$ (RF = 1)   | 1.5      |     |          | ns   |

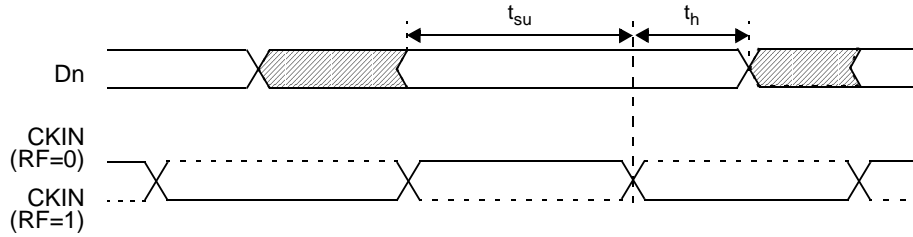
**DC CHARACTERISTICS**

| Symbol                    | Parameter   | Condition  | Min   | Typ | Max      | Unit    |
|---------------------------|---|--|-------|-----|----------|---------|
| $V_{IT}$                  | Input threshold voltage   |  | -     | 1.4 | -        | V       |
| $ V_{OD} $                | Differential steady-state output voltage magnitude  | $R_L = 100\Omega$  | 247   | 340 | 454      | mV      |
| $\Delta V_{OD} $          | Change in the steady-state differential output voltage magnitude between opposite binary states |  | -     | 10  | 50       | mV      |
| $V_{OC(SS)}$              | Steady-state common-mode output voltage   |  | 1.125 | -   | 1.375    | V       |
| $V_{OC(PP)}$              | Peak-to-peak common-mode output voltage   |  | -     | 80  | 150      | mV      |
| $I_{IH}$                  | High-level input current  | $V_{IH} = V_{CC}$  | -     | -   | 20       | $\mu A$ |
| $I_{IH-\overline{SHTDN}}$ | High level input current for $\overline{SHTDN}$ pin   | $V_{IH} = V_{CC}$  | -     | -   | 10       | $\mu A$ |
| $I_{IL}$                  | Low-level input current   | $V_{IL} = 0$   | -     | -   | $\pm 10$ | $\mu A$ |
| $I_{OS}$                  | Short-circuit output current  | $V_{O(Yn)} = 0$  | -     | -   | $\pm 24$ | mA      |
|                           |   | $V_{OD} = 0$   | -     | -   | $\pm 12$ | mA      |
| $I_{OZ}$                  | High-impedance output current   | $V_O = 0$ to $V_{CC}$  | -     | -   | $\pm 10$ | $\mu A$ |
| $I_{CC(AVG)}$             | Quiescent supply current (average)  | Power down $\overline{SHTDN} = 0$  | -     | -   | 250      | $\mu A$ |
|                           |   | Enabled, $R_L = 100\Omega$ (4 places)<br>Gray_scale pattern<br>$V_{CC} = 3.3V$ , $t_C = 15.38ns$ | -     | 40  | 60       | mA      |
|                           |   | Enabled, $R_L = 100\Omega$ (4 places)<br>Worst_case pattern<br>$t_C = 15.38ns$                   | -     | 50  | 75       | mA      |
| $C_I$                     | Input capacitance   |  | -     | 3   | -        | pF      |

**Note:** All typical values are at  $V_{CC} = 3.3V$ ,  $T_A = 25^\circ C$ .

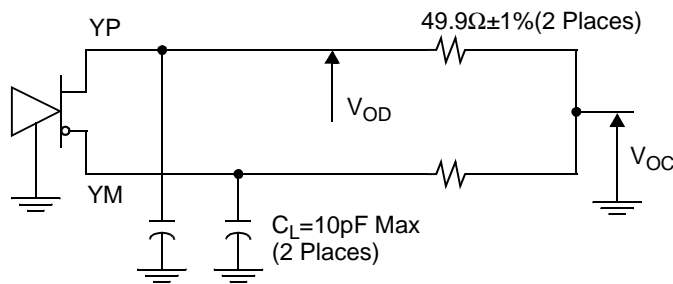
**AC CHARACTERISTICS**

| Symbol          | Parameter   | Condition        | Min            | Typ       | Max            | Unit |
|-----------------|---|------------------|----------------|-----------|----------------|------|
| $t_0$           | CKO $\uparrow$ to bit 0   | $T_c = 15.38$ ns | -0.2           | 0         | 0.2            | ns   |
| $t_1$           | CKO $\uparrow$ to bit 1   |                  | $1/7t_c - 0.2$ | -         | $1/7t_c + 0.2$ | ns   |
| $t_2$           | CKO $\uparrow$ to bit 2   |                  | $2/7t_c - 0.2$ | -         | $2/7t_c + 0.2$ | ns   |
| $t_3$           | CKO $\uparrow$ to bit 3   |                  | $3/7t_c - 0.2$ | -         | $3/7t_c + 0.2$ | ns   |
| $t_4$           | CKO $\uparrow$ to bit 4   |                  | $4/7t_c - 0.2$ | -         | $4/7t_c + 0.2$ | ns   |
| $t_5$           | CKO $\uparrow$ to bit 5   |                  | $5/7t_c - 0.2$ | -         | $5/7t_c + 0.2$ | ns   |
| $t_6$           | CKO $\uparrow$ to bit 6   |                  | $6/7t_c - 0.2$ | -         | $6/7t_c + 0.2$ | ns   |
| $t_{skew}$      | Output skew   |                  | -0.2           | -         | 0.2            | ns   |
| $\Delta t_c(o)$ | Cycle time, Output clock jitter                                 |                  | -              | $\pm 100$ | -              | ps   |
| $t_w$           | Pulse duration, high-level output clock                         |                  | -              | $4/7t_c$  | -              | ns   |
| $t_t$           | Transition time, differential output voltage ( $t_r$ or $t_f$ ) |                  | 260            | 700       | 1500           | ps   |
| $t_{enable}$    | Enable time, SHTDN $\uparrow$ to phase lock (Yn valid)          |                  | -              | 1         | -              | ms   |
| $t_{disable}$   | Disable time, SHTDN $\downarrow$ to off state (CKO low)         |                  | -              | 250       | -              | ns   |

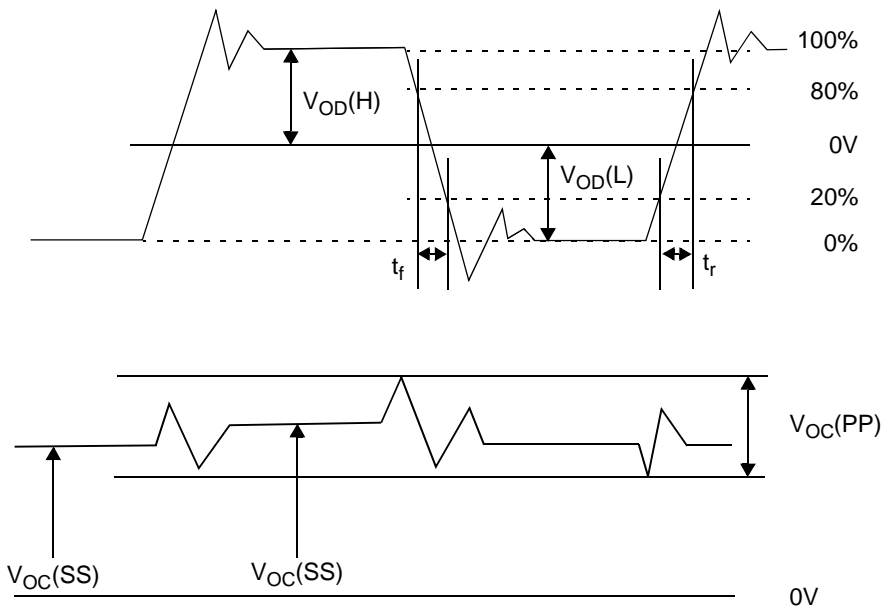


Note: Maximum value of  $t_r$ ,  $t_f = 5\text{ns}$

Figure-2 Setup and Hold Time Definition



(a) SCHEMATIC

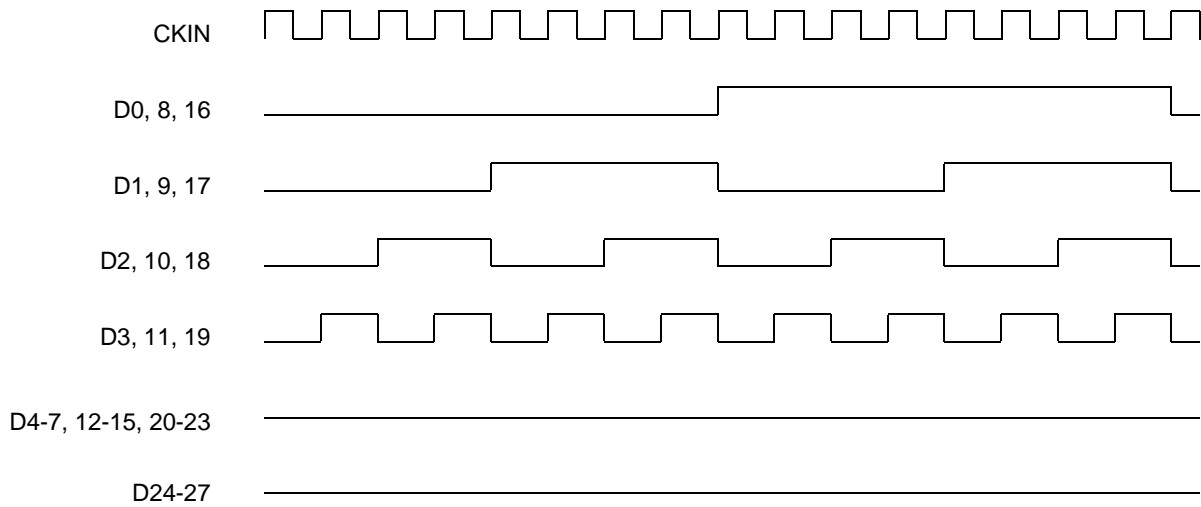


(b) WAVEFORMS

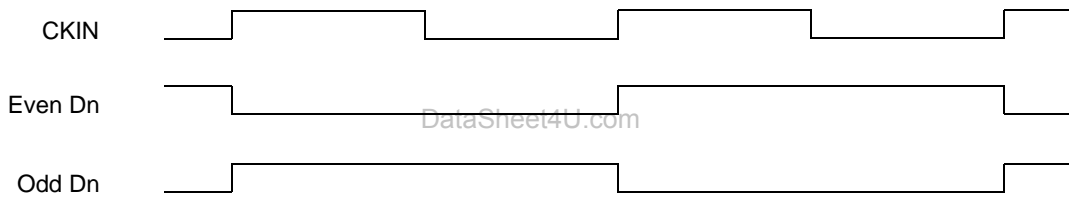
Figure-3 Test Load and Voltage Definitions for LVDS Outputs



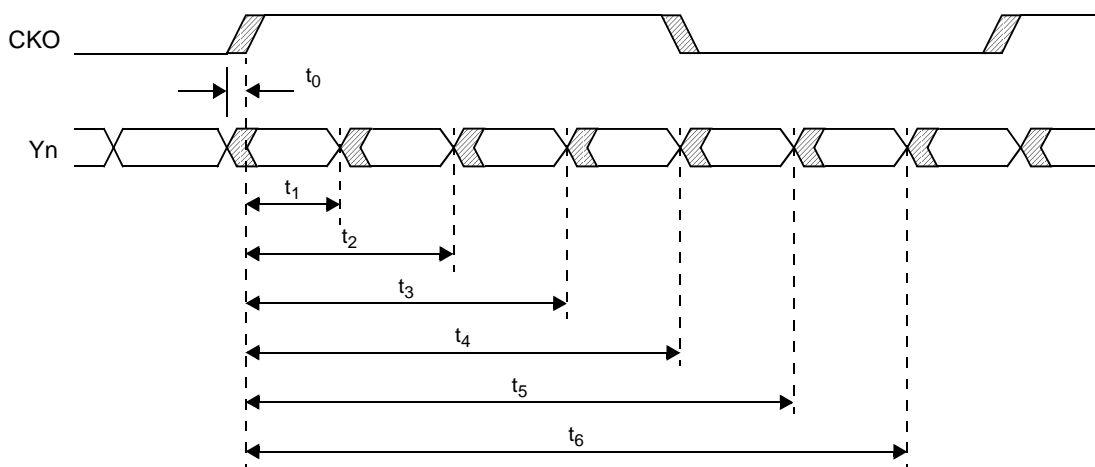
**TEST PATTERN**



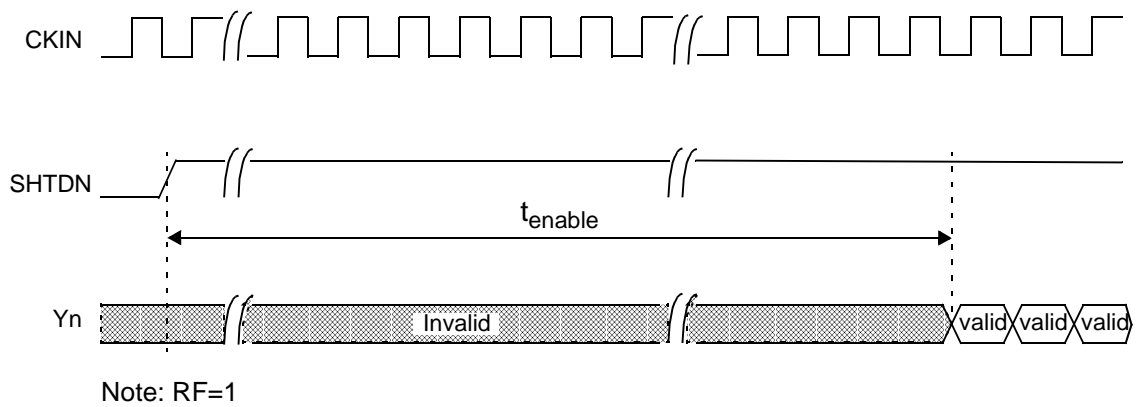
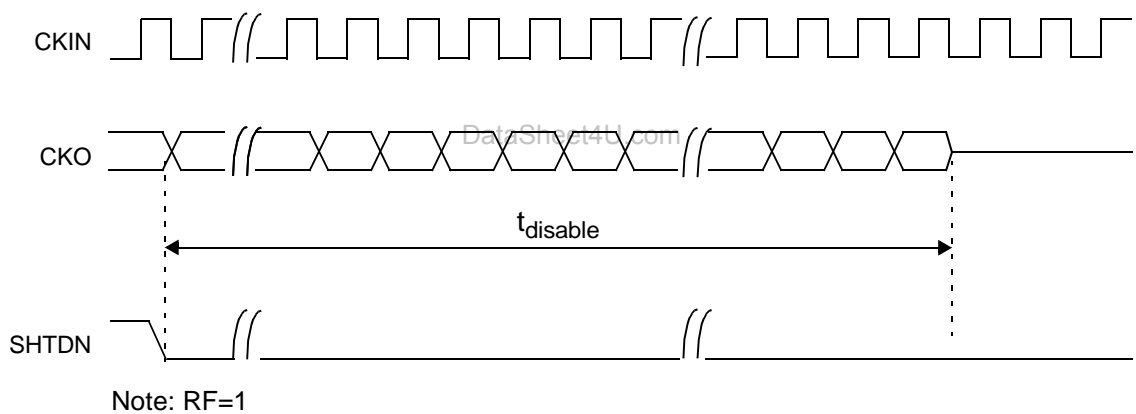
**Figure-4 16-Grayscale Testing Pattern Waveforms**

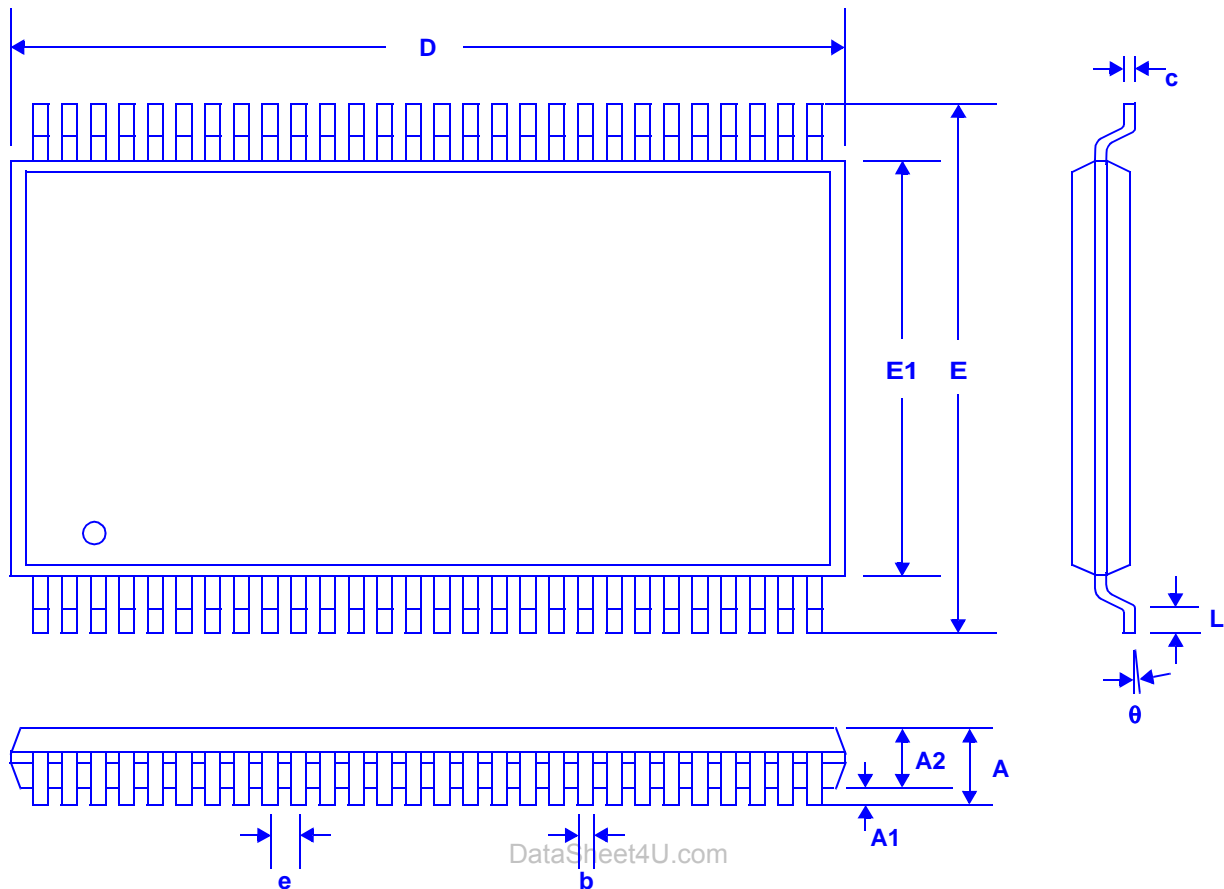


**Figure-5 The Worst-case Testing Pattern Waveforms**



**Figure-6 Timing Waveform's Definitions**

**TYPICAL CHARACTERISTICS****Figure-7 Enabled Time Waveforms****Figure-8 Disabled Time Waveforms**

**PACKAGE OUTLINE (56-pin TSSOP)**

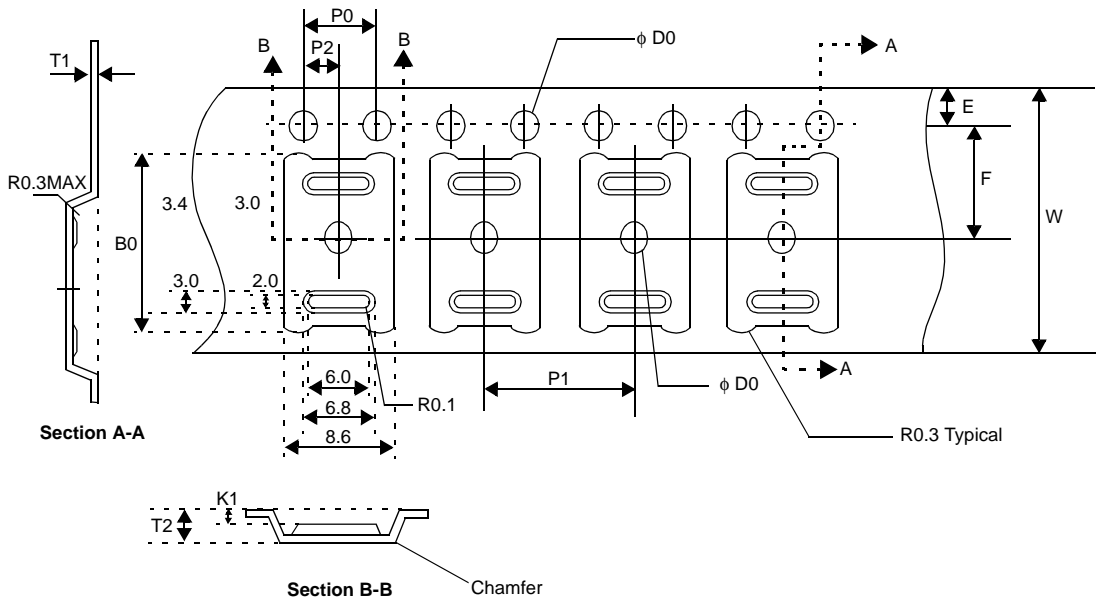
| Symbol | Dimensions in Millimeters |       |       | Dimensions in Inches |        |       |
|--------|---------------------------|-------|-------|----------------------|--------|-------|
|        | MIN                       | NOM   | MAX   | MIN                  | NOM    | MAX   |
| A      | 1.05                      | -     | 1.20  | 0.041                | -      | 0.047 |
| A1     | 0.05                      | -     | 0.15  | 0.002                | -      | 0.006 |
| A2     | -                         | 0.90  | -     | -                    | 0.035  | -     |
| b      | 0.17                      | 0.20  | 0.27  | 0.007                | 0.008  | 0.010 |
| c      | 0.09                      | 0.15  | 0.20  | 0.004                | 0.006  | 0.008 |
| D      | 13.90                     | 14.00 | 14.10 | 0.547                | 0.551  | 0.555 |
| E      | 7.80                      | 8.10  | 8.40  | 0.307                | 0.319  | 0.330 |
| E1     | 6.00                      | 6.10  | 6.20  | 0.236                | 0.240  | 0.244 |
| e      | -                         | 0.50  | -     | -                    | 0.0197 | -     |
| L      | 0.50                      | -     | 0.75  | 0.020                | -      | 0.030 |
| θ      | 0°                        | -     | 7°    | 0°                   | -      | 7°    |

**Note:** 1. Ordering information; 35 units per tube, and 2500 units per tape on reel.

**Note:** 2. The CS5824 products keep using the original Century logo.



**PACKAGING SPECIFICATION**



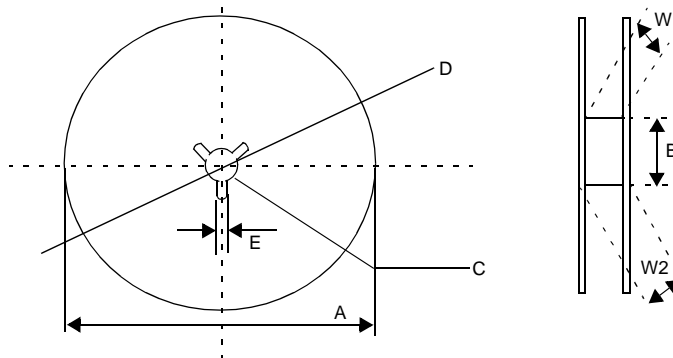
**Dimension**

| Symbol   | B0   | φ D0              | E            | F             | K1         | P0        | P1           | P2         | T1           | T2         | W            |
|----------|------|-------------------|--------------|---------------|------------|-----------|--------------|------------|--------------|------------|--------------|
| Unit: mm | 14.5 | 1.5<br>+0.1<br>-0 | 1.75<br>±0.1 | 11.5<br>±0.05 | 1.3<br>Max | 4<br>±0.2 | 12.0<br>±0.1 | 2<br>±0.05 | 0.3<br>±0.05 | 1.8<br>Max | 24.0<br>±0.3 |

**Standard Packing Quantity**

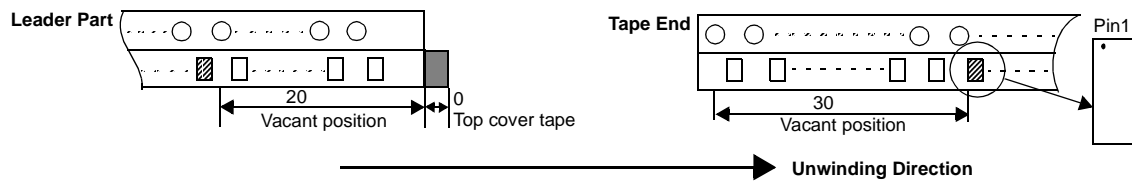
| Carrier Tape Width | Reel Size | Pocket Pitch | Leader No. of Pockets | End No. of Pockets | Quantity (Pcs/Reel) |
|--------------------|-----------|--------------|-----------------------|--------------------|---------------------|
| 24mm               | φ330mm    | 4mm          | 20                    | 30                 | 2500                |

**Reel For Taping**



Unit: mm

| A                 | B            | C                  | D            | E           | W1                   | W2          |
|-------------------|--------------|--------------------|--------------|-------------|----------------------|-------------|
| φ 330<br>+1<br>-4 | φ100<br>±0.1 | 13<br>+0.5<br>-0.2 | 20.2<br>±0.8 | 2.0<br>±0.5 | 24.8<br>+0.3<br>-0.2 | 30.2<br>Max |

**Leader Part And Taped End****Approval Supplier For Packing Material**

| Item         | Supplier |
|--------------|----------|
| Carrier Tape | ADVANTEK |
| Cover Tape   | ADVANTEK |
| Plastic Reel | ADVANTEK |

**Ordering Information****Part Number**

| Prefix | Part Type | Package Type |
|--------|-----------|--------------|
| CS     | 5824      | N:TSSOP      |