

# BAV201~BAV203

## HIGH VOLTAGE SURFACE MOUNT SWITCHING DIODES

**VOLTAGE** 120 to 250 Volts **POWER** 300 mWatts

**QUADRO-MELF** Unit : inch (mm)

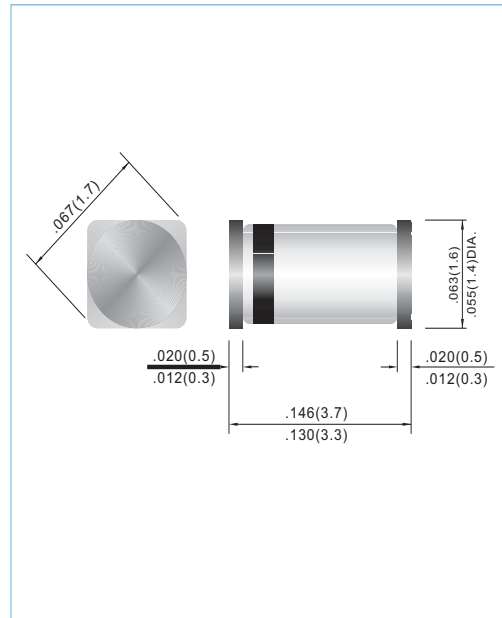
### FEATURES

- Fast switching Speed.
- Surface Mount Package Ideally Suited For Automatic Insertion.
- Silicon Epitaxial Planar Construction.
- In compliance with EU RoHS 2002/95/EC directives

### MECHANICAL DATA

- Case: Quadro Melf, Glass
- Terminals: Solderable per MIL-STD-750, Method 2026
- Polarity: Cathode Band
- Marking: Cathode Band Only
- Weight: 0.03 grams
- Packing information

T/R - 2.5K per 7" plastic Reel



## MAXIMUM RATINGS AND ELECTRICAL CHARACTERISTICS (T<sub>J</sub>=25°C unless otherwise noted)

PARAMETER	SYMBOL	BAV201	BAV202	BAV203	UNITS
Reverse Voltage	V <sub>R</sub>	100	150	200	V
Peak Reverse Voltage	V <sub>RRM</sub>	120	200	250	V
Rectified Current (Average), Half Wave Rectification with Resistive Load and f >=50 Hz	I <sub>O</sub>	200			mA
Peak Forward Surge Current, t=1000ms	I <sub>FSM</sub>	1.0			A
Power Dissipation Derate Above at 25°C	P <sub>D</sub>	300			mW
Maximum Forward Voltage, I <sub>F</sub> = 100mA	V <sub>F</sub>	1.0			V
Maximum DC Reverse Current at Rated DC Blocking Voltage T <sub>J</sub> = 25°C	I <sub>R</sub>	0.1			μA
Typical Junction Capacitance( Note 1)	C <sub>J</sub>	3.0			pF
Maximum Reverse Recovery (Note 2)	t <sub>rr</sub>	75			ns
Typical Thermal Resistance	R <sub>θJA</sub>	350			°C / W
Operation Junction Storage Temperature Range	T <sub>STG</sub>	-65 to +175			°C

**NOTE:**

1. C<sub>J</sub> at V<sub>R</sub>=0, f=1MHZ
2. From I<sub>F</sub>=10mA to I<sub>R</sub>=-1mA, V<sub>R</sub>=6Volts, R<sub>L</sub>=100Ω

# BAV201~BAV203

## RATING AND CHARACTERISTIC CURVES

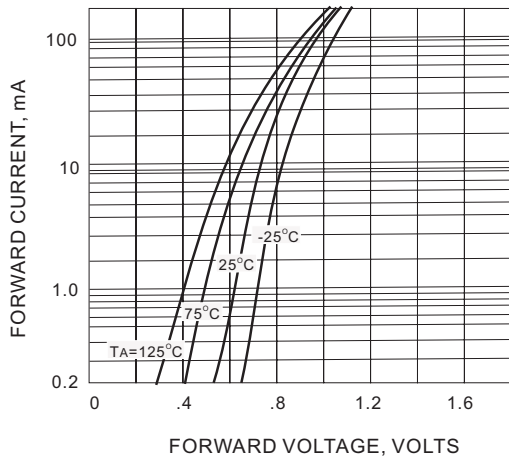


Fig. 1 FORWARD CHARACTERISTICS

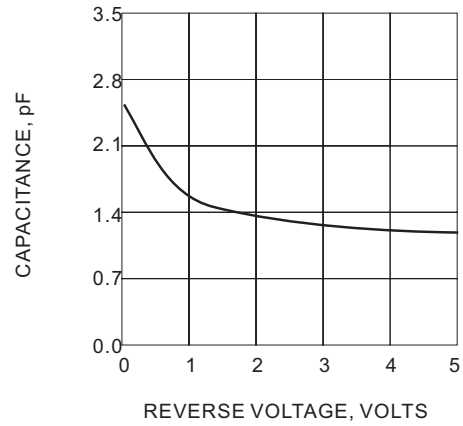


Fig. 2 TYPICAL CAPACITANCE vs REVERSE VOLTAGE

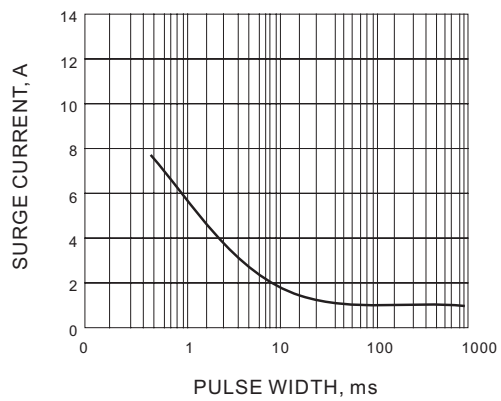
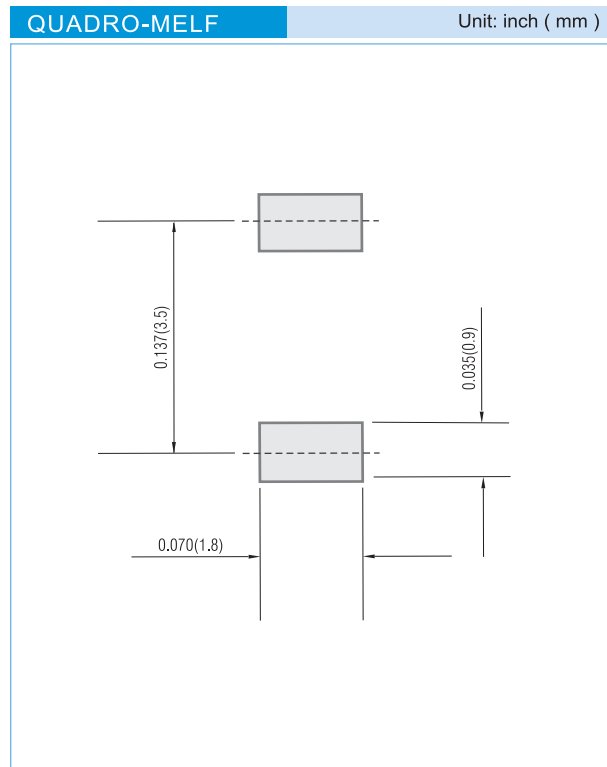


Fig. 3 SURGE CURRENT CHARACTERISTIC



# BAV201~BAV203

## MOUNTING PAD LAYOUT



## ORDER INFORMATION

- Packing information  
T/R - 10K per 13" plastic Reel  
T/R - 2.5K per 7" plastic Reel

## LEGAL STATEMENT

### Copyright PanJit International, Inc 2009

The information presented in this document is believed to be accurate and reliable. The specifications and information herein are subject to change without notice. Pan Jit makes no warranty, representation or guarantee regarding the suitability of its products for any particular purpose. Pan Jit products are not authorized for use in life support devices or systems. Pan Jit does not convey any license under its patent rights or rights of others.