

PLEASE CHECK WWW.MOLEX.COM FOR LATEST PART INFORMATION

Part Number: [0876323011](#)
Status: **Active**
Overview: [extreme powerplus ssi](#)
Description: 6.35mm (.250") Pitch, Power, 2.54mm (.100") Pitch, Signal, EXTreme PowerPlus™ P-S-P Receptacle, Through Hole, Right Angle, with Beveled Metal Pins, 18 Circuits, Power Beta 1, Signal 16, Power Alpha 1, Leadfree

Documents:

[3D Model](#) [Product Specification PS-87631-006 \(PDF\)](#)
[Drawing \(PDF\)](#) [RoHS Certificate of Compliance \(PDF\)](#)

General

Product Family	PCB Receptacles
Series	87632
Application	Board-to-Board
Comments	No Recessed Power Circuits
Overview	extreme powerplus ssi
Product Name	EXTreme PowerPlus™

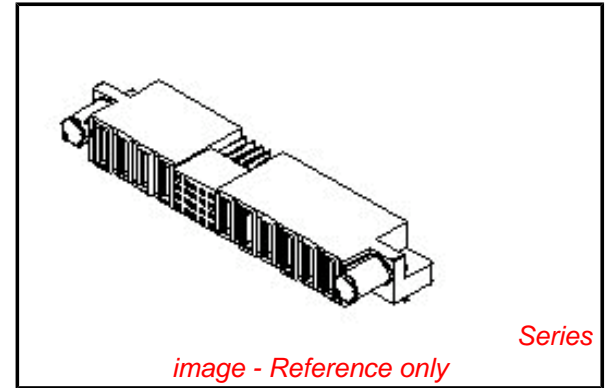
Physical

Circuits (Loaded)	18
Circuits Detail	Power Beta 1, Signal 16, Power Alpha 1
Color - Resin	Black
Durability (mating cycles max)	100
Glow-Wire Compliant	No
Guide to Mating Part	Yes
Keying to Mating Part	Yes
Lock to Mating Part	Yes
Material - Metal	Copper Alloy
Material - Plating Mating	Gold
Material - Plating Termination	Tin
Material - Resin	High Temperature Thermoplastic
Number of Rows	4
Orientation	Right Angle
PC Tail Length (in)	0.135 In
PC Tail Length (mm)	3.43 mm
PCB Locator	No
PCB Retention	Yes
Packaging Type	Tray
Pitch - Mating Interface (in)	0.100 In, 0.250 In
Pitch - Mating Interface (mm)	2.54 mm, 6.35 mm
Plating min: Mating (µin)	30
Plating min: Mating (µm)	0.76
Plating min: Termination (µin)	100
Plating min: Termination (µm)	2.54
Polarized to Mating Part	Yes
Polarized to PCB	Yes
Stackable	No
Temperature Range - Operating	-20°C to +105°C
Termination Interface: Style	Through Hole

Electrical

Current - Maximum per Contact	2.5A, 30A, 50A
Voltage - Maximum	250V DC

Solder Process Data



EU RoHS

ELV and RoHS Compliant
REACH SVHC
 Not Reviewed
Halogen-Free Status

China RoHS



Need more information on product environmental compliance?

Email productcompliance@molex.com
 For a multiple part number RoHS Certificate of Compliance, [click here](#)

Please visit the [Contact Us](#) section for any non-product compliance questions.

Search Parts in this Series

[87632Series](#)

Mates With

[87631 EXTreme PowerPlus™ P-S-P Header](#)

Duration at Max. Process Temperature (seconds)	10
Lead-free Process Capability	SMC & Wave Capable (TH only)
Max. Cycles at Max. Process Temperature	3
Process Temperature max. C	260

Material Info

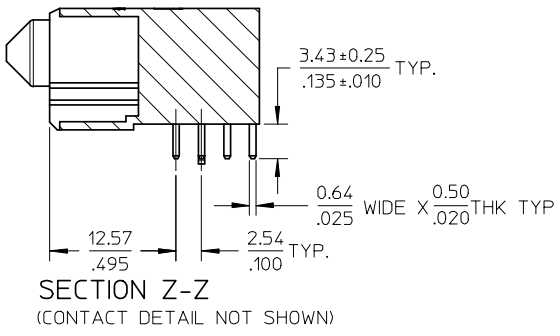
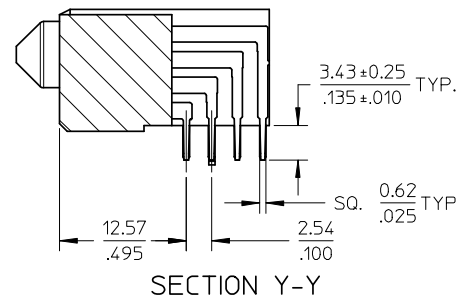
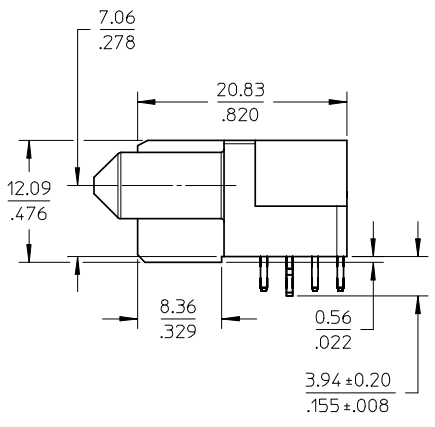
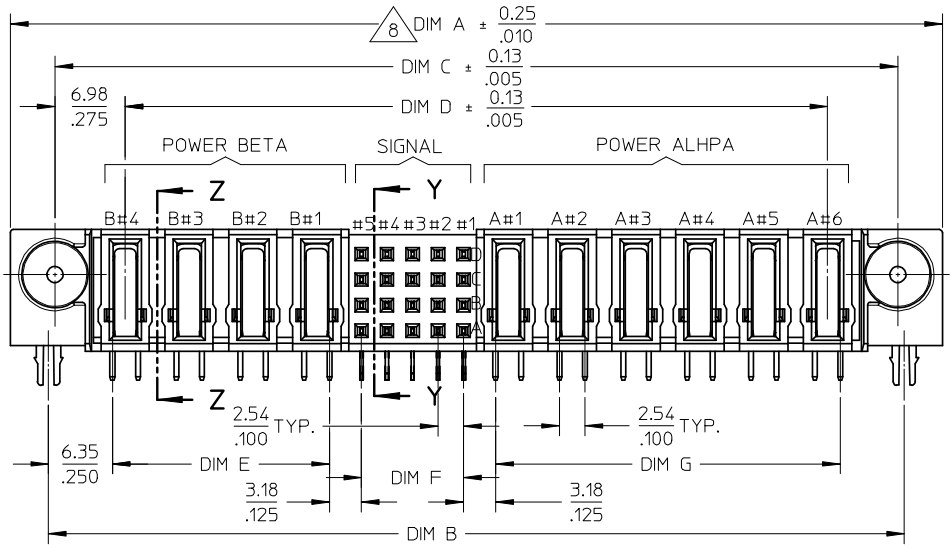
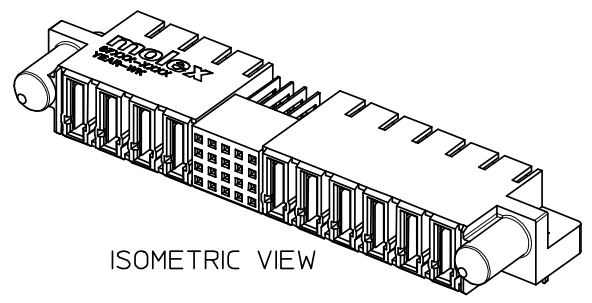
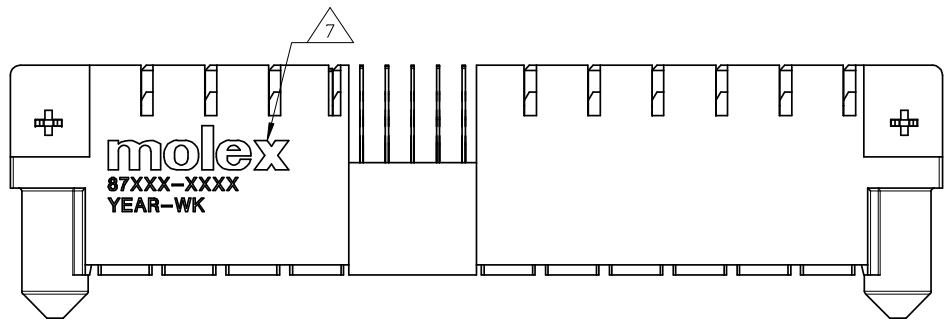
Old Part Number	87632-8011
-----------------	------------

Reference - Drawing Numbers

Application Specification	AS-87631-018
Product Specification	PS-87631-006
Sales Drawing	SD-87632-013

This document was generated on 05/21/2010

PLEASE CHECK WWW.MOLEX.COM FOR LATEST PART INFORMATION

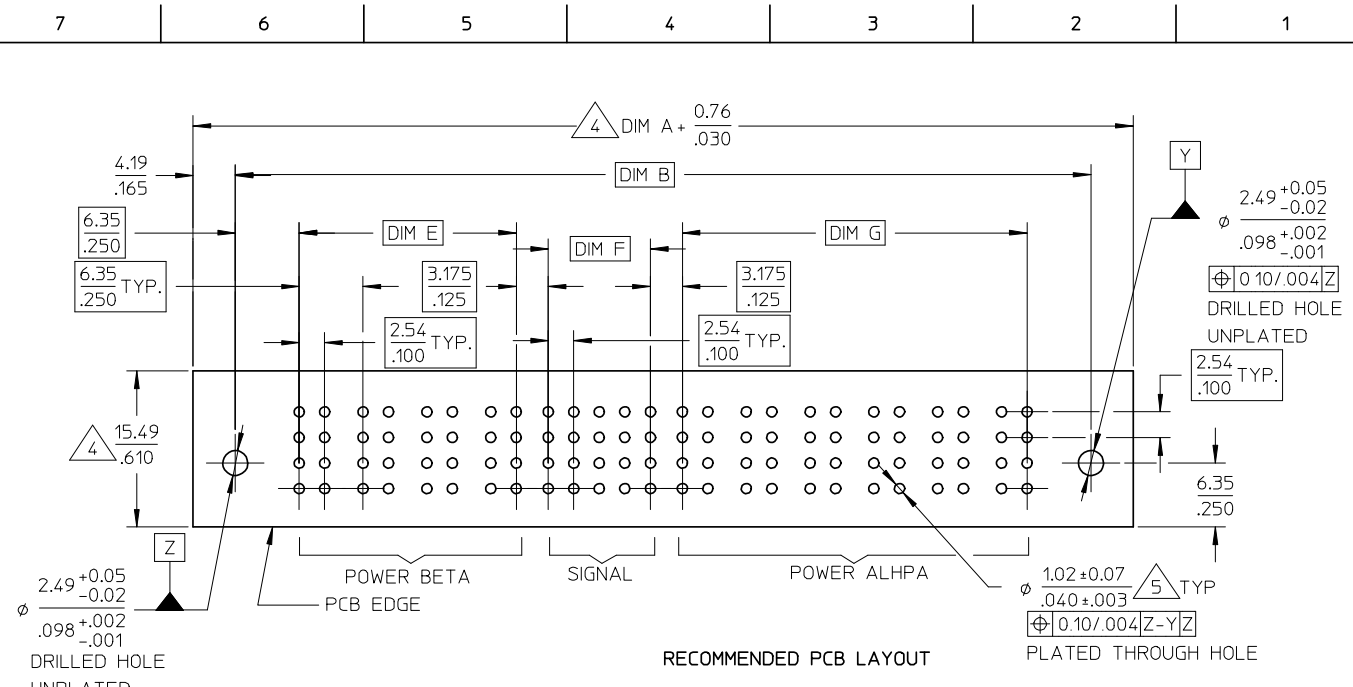


PDR#S-001735-00-00 EC NO: S2008-0445 DRWN:SKANG 2007/12/12 CHKD:ATSEE 2007/12/12 APPR:MLONG 2007/12/13	QUALITY SYMBOLS	GENERAL TOLERANCES (UNLESS SPECIFIED)	DIMENSION STYLE	SCALE	DESIGN UNITS	THIRD ANGLE PROJECTION
	▼ = 0 ◻ = 0	mm INCH 4 PLACES ± --- ± --- 3 PLACES ± --- ± --- 2 PLACES ± 0.13 ± --- 1 PLACE ± 0.25 ± --- ANGULAR ± 3 °	MM/IN	NTS	METRIC	

D2	DESCRIPTION	DRAFT WHERE APPLICABLE MUST REMAIN WITHIN DIMENSIONS	MATERIAL NO.	DOCUMENT NO.	SHEET NO.
	REV		SEE TABLE	SD-87632-013	1 OF 3

DRAWN BY	DATE	TITLE
KMGOH	2002/11/19	POWER CONN. RECEPTACLE P(B)-S-P(A) CONFIG. RIGHT ANGLE, THRU HOLE
CHECKED BY	DATE	
PTLIM	2002/11/21	
APPROVED BY	DATE	
SKTOH	2002/11/21	

MATERIAL NO.		DOCUMENT NO.	SHEET NO.
SEE TABLE		SD-87632-013	1 OF 3
THIS DRAWING CONTAINS INFORMATION THAT IS PROPRIETARY TO MOLEX INCORPORATED AND SHOULD NOT BE USED WITHOUT WRITTEN PERMISSION			



NOTES


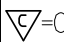

1. MATERIALS :-
HOUSING - HIGH TEMPERATURE THERMO-PLASTIC,
GLASS FILLED, UL94V-0, COLOR : BLACK.
SIGNAL TERMINAL - COPPER ALLOY
POWER TERMINAL - COPPER ALLOY
2. FINISH :-
SIGNAL & POWER CONTACTS
0.76um MIN. GOLD (Au) AT CONTACT AREA AND 2.54um MIN. TIN
AT SOLDER TAIL AREA OVER 1.27um MIN. NICKEL (Ni) UNDERPLATE.
BOARD-LOCK - 2.54 MICROMETER MINIMUM TIN (Sn) OVER
1.27 MICROMETER MINIMUM NICKEL (Ni) UNDERPLATE
3. PRODUCT SPECIFICATION : PS-87631-006.
4. COMPONENT STAY AWAY ZONE FROM CONNECTOR.
5. PCB NOTE FOR DIAMETER 1.02/.040 PLATED HOLE
- DRILLED HOLE SIZE IS 1.151/.0453
- PLATE WITH 0.007/.0003 MINIMUM TIN OVER 0.03/.001
TO 0.08/.003 COPPER PLATING TO ACHIEVE 1.02±0.08/.040±.003 HOLE.
6. ALL TERMINAL TIPS ARE DESIGNED WITH EXPOSE BASE COPPER.
THIS IS CREATED BY FINAL CUTTING PROCESS PLATING.
7. MANUFACTURER LOGO, PART NUMBER AND YEAR-WEEK CODE.
8. 4 POWER BETA-20SIGNAL-6 POWER ALPHA IS SHOWN FOR ILLUSTRATION.
POWER-SIGNAL-POWER CONFIGURATION IS AVAILABLE UP TO 203MM/8INCH.
PLEASE CONTACT MOLEX SALES PERSONNEL FOR OTHER CONFIGURATION
AND OPTION NEEDED.

PDR#S-001735-00-00 EC NO: S2008-0445 DRWN:SKANG 2007/12/12 CHKD:ATSEE 2007/12/12 APPR:MLONG 2007/12/13	DESCRIPTION REV	QUALITY SYMBOLS	GENERAL TOLERANCES (UNLESS SPECIFIED)		DIMENSION STYLE MM/IN		SCALE NTS	DESIGN UNITS METRIC	THIRD ANGLE PROJECTION	
		$\blacktriangledown = 0$ $\triangleleft = 0$	mm	INCH	DRAWN BY KMGH	DATE 2002/11/19	TITLE POWER CONN. RECEPTACLE P(B)-S-P(A) CONFIG. RIGHT ANGLE, THRU HOLE			
			4 PLACES ± --- ± ---	3 PLACES ± --- ± ---	CHECKED BY PTLIM	DATE 2002/11/21	MOLEX MOLEX INCORPORATED			
			2 PLACES ± 0.13 ± ---	1 PLACE ± 0.25 ± ---	APPROVED BY SKTOH	DATE 2002/11/21	DOCUMENT NO. SD-87632-013		SHEET NO. 2 OF 3	
		ANGULAR ± 3 °	DRAFT WHERE APPLICABLE MUST REMAIN WITHIN DIMENSIONS		SEE TABLE		THIS DRAWING CONTAINS INFORMATION THAT IS PROPRIETARY TO MOLEX INCORPORATED AND SHOULD NOT BE USED WITHOUT WRITTEN PERMISSION			

10	9			8	7			6			5	4	3	2	1
	ASSEMBLY PART NUMBER	P-S-P CONFIGURATION POWER BETA	SIGNAL		POWER ALPHA	RECESSERD POWER CIRCUIT #	DIM A	DIM B	DIM C	DIM D					
F	87632-3000	5	24	3	NIL	82.54 3.250	74.93 2.950	73.65 2.900	59.69 2.350	27.94 1.100	12.70 .500	15.24 .600	TRAY		
	87632-3001	4	20	6	NIL	92.71 3.650	85.10 3.350	83.82 3.300	69.86 2.750	21.59 .850	10.16 .400	34.29 1.350	TRAY		
	87632-3006	2	32	2	NIL	62.23 2.450	54.61 2.150	53.34 2.100	39.37 1.550	8.89 .350	17.78 .700	8.89 .350	TRAY		
	87632-3009	4	24	2	NIL	69.84 2.750	62.23 2.450	60.95 2.400	46.99 1.850	21.59 .850	12.70 .500	8.89 .350	TRAY		
	87632-3011	1	16	1	NIL	39.37 1.550	31.75 1.250	30.48 1.200	16.51 .650	2.54 .100	7.62 .300	2.54 .100	TRAY		
E	87632-3013	5	32	5	NIL	100.33 3.950	92.71 3.650	91.44 3.600	77.47 3.050	27.94 1.100	17.78 .700	27.94 1.100	TRAY		
	87632-3017	4	28	4	NIL	85.09 3.350	77.47 3.050	76.20 3.000	62.23 2.450	21.59 .850	15.24 .600	21.59 .850	TRAY		
	87632-3018	4	40	4	NIL	92.71 3.650	85.09 3.350	83.82 3.300	69.85 2.750	21.59 .850	22.86 .900	21.59 .850	TRAY		
	87632-3019	2	16	2	NIL	52.08 2.050	44.46 1.750	43.19 1.700	29.22 1.150	8.89 .350	7.62 .300	8.89 .350	TRAY		
	87632-3020	2	12	2	NIL	49.53 1.950	41.91 1.650	40.64 1.600	26.67 1.050	8.89 .350	5.08 .200	8.89 .350	TRAY		
D	87632-3021	4	24	4	NIL	82.55 3.250	74.93 2.950	73.66 2.900	59.69 2.350	21.59 .850	12.70 .500	21.59 .850	TRAY		

C

B

PDR#S-001735-00-00 EC NO: S2008-0445 DRWN:SKANG 2007/12/12 CHKD:ATSEE 2007/12/12 APPR:MLONG 2007/12/13	QUALITY SYMBOLS  = 0  = 0.13	GENERAL TOLERANCES (UNLESS SPECIFIED)		DIMENSION STYLE MM/IN		SCALE NTS	DESIGN UNITS METRIC	 THIRD ANGLE PROJECTION			
		4 PLACES ± --- ± ---	3 PLACES ± --- ± ---	DRAWN BY KMGOH	DATE 2002/11/19	TITLE POWER CONN. RECEPTACLE P(B)-S-P(A) CONFIG. RIGHT ANGLE, THRU HOLE					
		2 PLACES ± 0.13 ± ---	1 PLACE ± 0.25 ± ---	CHECKED BY PTL IM	DATE 2002/11/21	MOLEX INCORPORATED					
		ANGULAR ± 3 °		APPROVED BY SKTOH	DATE 2002/11/21	MATERIAL NO. SEE TABLE	DOCUMENT NO. SD-87632-013	SHEET NO. 3 OF 3			

DRAFT WHERE APPLICABLE MUST REMAIN WITHIN DIMENSIONS

SIZE A3 THIS DRAWING CONTAINS INFORMATION THAT IS PROPRIETARY TO MOLEX INCORPORATED AND SHOULD NOT BE USED WITHOUT WRITTEN PERMISSION