



LOW VOLTAGE 0.5Ω MAX QUAD SPDT SWITCH WITH BREAK BEFORE MAKE FEATURE

- HIGH SPEED:
 $t_{PD} = 1.5\text{ns}$ (TYP.) at $V_{CC} = 3.0\text{V}$
 $t_{PD} = 1.5\text{ns}$ (TYP.) at $V_{CC} = 2.3\text{V}$
- ULTRA LOW POWER DISSIPATION:
 $I_{CC} = 0.2\mu\text{A}$ (MAX.) at $T_A = 85^\circ\text{C}$
- LOW "ON" RESISTANCE $V_{IN}=0\text{V}$:
 $R_{ON} = 0.5\Omega$ (MAX. $T_A = 25^\circ\text{C}$) at $V_{CC} = 2.7\text{V}$
 $R_{ON} = 0.7\Omega$ (MAX. $T_A = 25^\circ\text{C}$) at $V_{CC} = 2.3\text{V}$
 $R_{ON} = 1.5\Omega$ (MAX. $T_A = 25^\circ\text{C}$) at $V_{CC} = 1.8\text{V}$
- WIDE OPERATING VOLTAGE RANGE:
 V_{CC} (OPR) = 1.65V to 4.3V SINGLE SUPPLY
- 4.3V TOLERANT AND 1.8V COMPATIBLE THRESHOLD ON DIGITAL CONTROL INPUT at $V_{CC} = 2.3$ to 3.0V
- LATCH-UP PERFORMANCE EXCEEDS 300mA (JESD 17)

DESCRIPTION

The STG3699A is an high-speed CMOS LOW VOLTAGE QUAD ANALOG S.P.D.T. (Single Pole Dual Throw) SWITCH or 2:1 Multiplexer/ Demultiplexer Switch fabricated in silicon gate C²MOS technology. It is designed to operate from 1.65V to 4.3V, making this device ideal for portable applications.

It offers very low ON-Resistance ($<0.5\Omega$) at $V_{CC}=3.0\text{V}$. The n_{IN} inputs are provided to control the switches. The switches n_{S1} are ON (they are connected to common Ports D_n) when the n_{IN}

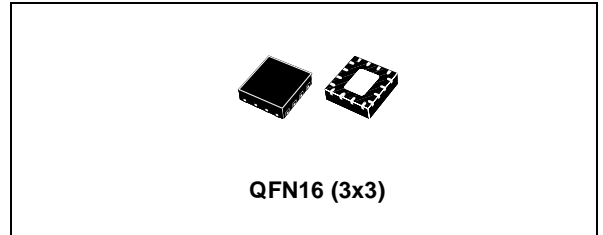


Table 1: Order Codes

PACKAGE	T & R
QFN16 (3x3)	STG3699AQTR

input is held high and OFF (high impedance state exists between the two ports) when n_{IN} is held low; the switches n_{S2} are ON (they are connected to common Ports D_n) when the n_{IN} input is held low and OFF (high impedance state exists between the two ports) when IN is held high. Additional key features are fast switching speed, Break Before Make Delay Time and Ultra Low Power Consumption. All inputs and outputs are equipped with protection circuits against static discharge, giving them ESD immunity and transient excess voltage. It's available in the commercial temperature range in QFN16 3x3mm package.

Figure 1: Pin Connection

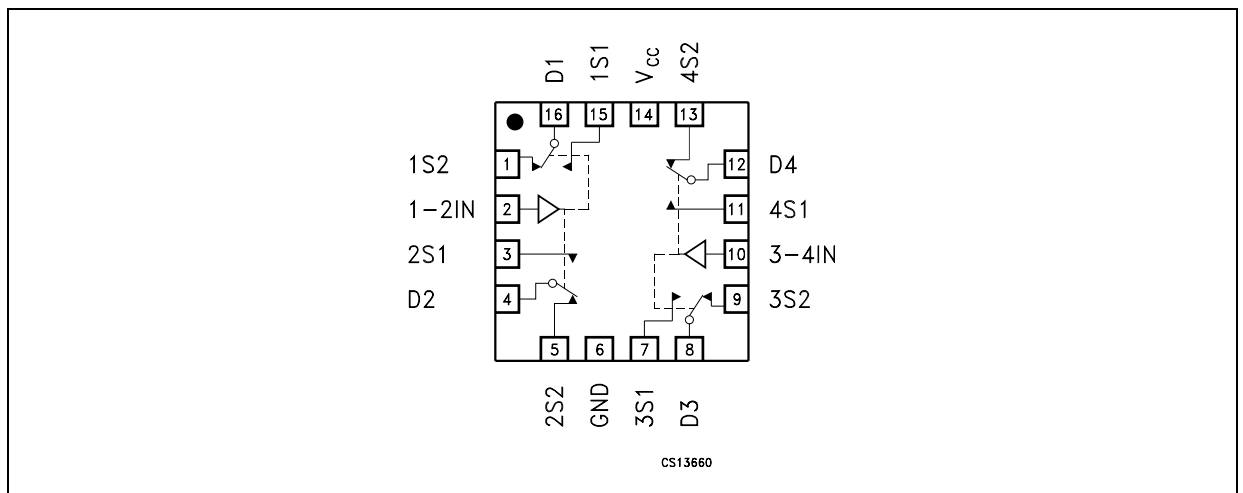


Figure 2: Input Equivalent Circuit

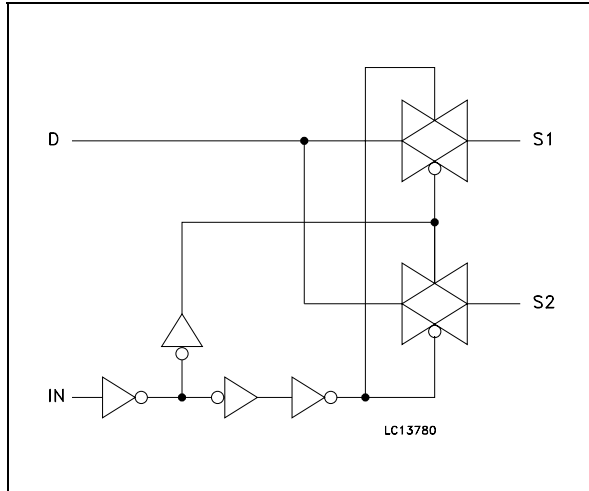


Table 2: Pin Description

PIN N°	SYMBOL	NAME AND FUNCTION
15, 3, 7, 11, 1, 5, 9, 13	1S1 to 4S1, 1S2 to 4S2	Independent Channels
16, 4, 8, 12	D1 to D4	Common Channels
2, 10	1-2IN, 3-4IN	Controls
14	V _{CC}	Positive Supply Voltage
6	GND	Ground (0V)

Table 3: Truth Table

IN	SWITCH S1	SWITCH S2
H	ON	OFF(*)
L	OFF(*)	ON

(*) High Impedance

Table 4: Absolute Maximum Ratings

Symbol	Parameter	Value	Unit
V _{CC}	Supply Voltage	-0.5 to 4.6	V
V _I	DC Input Voltage	-0.5 to V _{CC} + 0.5	V
V _{IC}	DC Control Input Voltage	-0.5 to 4.6	V
V _O	DC Output Voltage	-0.5 to V _{CC} + 0.5	V
I _{IKC}	DC Input Diode Current on control pin (V _{IN} < 0V)	- 50	mA
I _{IK}	DC Input Diode Current (V _{IN} < 0V)	± 50	mA
I _{OK}	DC Output Diode Current	± 20	mA
I _O	DC Output Current	± 300	mA
I _{OP}	DC Output Current Peak (pulse at 1ms, 10% duty cycle)	± 500	mA
I _{CC} or I _{GND}	DC V _{CC} or Ground Current	± 100	mA
P _D	Power Dissipation at T _a = 70°C (1)	1120	mW
T _{stg}	Storage Temperature	-65 to 150	°C
T _L	Lead Temperature (10 sec)	300	°C

Absolute Maximum Ratings are those values beyond which damage to the device may occur. Functional operation under these conditions not implied.

(1) Derate above 70°C: by 18.5mW/°C.

Table 5: Recommended Operating Conditions

Symbol	Parameter	Value	Unit
V _{CC}	Supply Voltage (note 1)	1.65 to 4.3	V
V _I	Input Voltage	0 to V _{CC}	V
V _{IC}	Control Input Voltage	0 to 4.3	V
V _O	Output Voltage	0 to V _{CC}	V
T _{op}	Operating Temperature	-55 to 125	°C
dt/dv	Input Rise and Fall Time Control Input	V _{CC} = 1.65V to 2.7V	0 to 20
		V _{CC} = 3.0V to 4.3V	0 to 10

1) Truth Table guaranteed: 1.2V to 4.3V.

Table 6: DC Specifications

Symbol	Parameter	Test Conditions		Value						Unit	
		V _{CC} (V)		T _A = 25°C			-40 to 85°C		-55 to 125°C		
				Min.	Typ.	Max.	Min.	Max.	Min.		Max.
V _{IH}	High Level Input Voltage	1.65-1.95		0.65V _{CC}			0.65V _{CC}		0.65V _{CC}		V
		2.3-2.5		1.2			1.2		1.2		
		2.7-3.0		1.3			1.3		1.3		
		3.3		1.4			1.4		1.4		
		3.6		1.5			1.5		1.5		
		4.3		1.6			1.6		1.6		
V _{IL}	Low Level Input Voltage	1.65-1.95				0.25		0.25		0.25	V
		2.3-2.5				0.25		0.25		0.25	
		2.7-3.0				0.25		0.25		0.25	
		3.3				0.30		0.30		0.30	
		3.6				0.30		0.30		0.30	
		4.3				0.40		0.40		0.40	
R _{ON}	Switch ON Resistance	4.3	V _S =0V to V _{CC} I _S =100mA		0.35	0.45		0.50			Ω
		3.0			0.40	0.50		0.60			
		2.7			0.40	0.50		0.60			
		2.3			0.45	0.70		0.80			
		1.8			0.55	1.5		2.0			
		1.65			0.65	1.5		2.0			
ΔR _{ON}	ON Resistance Match between channels (1)	2.7	V _S @ R _{ON} Max I _S =100mA		0.06					Ω	
R _{FLAT}	ON Resistance FLATNESS (2)	4.3	V _S =0V to V _{CC} I _S =100mA		0.15	0.20		0.20			Ω
		3.0			0.15	0.20		0.20			
		2.7			0.15	0.20		0.20			
		2.3			0.20	0.25		0.25			
		1.65			0.30	0.35		0.35			
I _{OFF}	OFF State Leakage Current (nSn), (Dn)	4.3	V _S =0.3 or 4V			±20		±100		nA	
I _{IN}	Input Leakage Current	0 - 4.3	V _{IN} = 0 to 4.3V			±0.1		±1		μA	
I _{CC}	Quiescent Supply Current	1.65-4.3	V _{IN} =V _{CC} or GND			±0.05		±0.2		±1	μA
I _{CCLV}	Quiescent Supply Current Low Voltage Driving	4.3	V _{1-2IN} , V _{3-4IN} = 1.65V		±37	±50		±100			μA
			V _{1-2IN} , V _{3-4IN} = 1.80V		±33	±40		±50			
			V _{1-2IN} , V _{3-4IN} = 2.60V		±12	±20		±30			

Note 1: ΔR_{ON} = R_{ON(MAX)} - R_{ON(MIN)}

Note 2: Flatness is defined as the difference between the maximum and minimum value of on-resistance as measured over the specified analog signal ranges.

Table 7: AC Electrical Characteristics ($C_L = 35\text{pF}$, $R_L = 50\Omega$, $t_r = t_f \leq 5\text{ns}$)

Symbol	Parameter	Test Condition		Value						Unit	
		V _{CC} (V)		T _A = 25°C			-40 to 85°C		-55 to 125°C		
				Min.	Typ.	Max.	Min.	Max.	Min.		Max.
t _{PLH} , t _{PHL}	Propagation Delay	1.65-1.95	V _I =OPEN		0.45						ns
		2.3-2.7			0.40						
		3.0-3.3			0.30						
		3.6-4.3			0.30						
t _{ON}	TURN-ON time	1.65-1.95	V _S =0.8V		120						ns
		2.3-2.7	V _S =1.5V		45	55		65			
		3.0-3.3			42	55		65			
		3.6-4.3			40	55		65			
t _{OFF}	TURN-OFF time	1.65-1.95	V _S =0.8V		22						ns
		2.3-2.7	V _S =1.5V		18	30		40			
		3.0-3.3			16	30		40			
		3.6-4.3			15	30		40			
t _D	Break Before Make Time Delay	1.65-1.95	C _L =35pF R _L = 50Ω V _S =1.5V		10	80					ns
		2.3-2.7			10	60					
		3.0-3.3			10	55					
		3.6-4.3			10	50					
Q	Charge injection	1.65-1.95	C _L = 100pF								pC
		2.3-2.7	R _L = 1MΩ			200					
		3.0-3.3	V _{GEN} = 0V			200					
		3.6-4.3	R _{GEN} = 0Ω			200					

Table 8: Analog Switch Characteristics ($C_L = 5\text{pF}$, $R_L = 50\Omega$, T_A = 25°C)

Symbol	Parameter	Test Condition		Value						Unit	
		V _{CC} (V)		T _A = 25°C			-40 to 85°C		-55 to 125°C		
				Min.	Typ.	Max.	Min.	Max.	Min.		Max.
OIRR	Off Isolation (1)	1.65-4.3	V _S = 1V _{RMS} f= 100KHz		-64						dB
Xtalk	Crosstalk	1.65-4.3	V _S = 1V _{RMS} f= 100KHz		-54						dB
THD	Total Harmonic Distortion	2.3-4.3	R _L = 600Ω V _{IN} = 2V _{PP} f= 20Hz to 20kHz		0.03						%
BW	-3dB Bandwidth	1.65-4.3	R _L = 50Ω		50						MHz
C _{IN}	Control Pin Input Capacitance				5						pF
C _{Sn}	Sn Port Capacitance	3.3	f= 1MHz		30						
C _D	D Port Capacitance when Switch is Enabled	3.3	f= 1MHz		84						

Note 1: Off Isolation = 20Log₁₀ (V_D/V_S), V_D = output. V_S = input to off switch

Figure 3: On Resistance

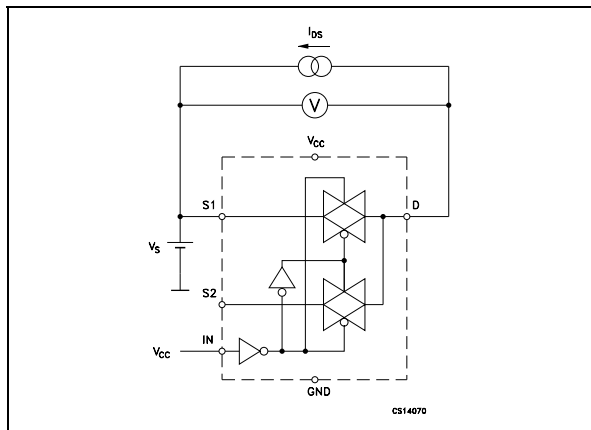


Figure 6: Bandwidth

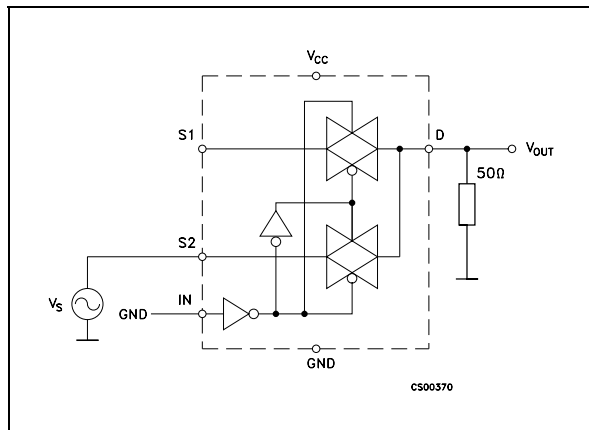


Figure 4: Off Leakage

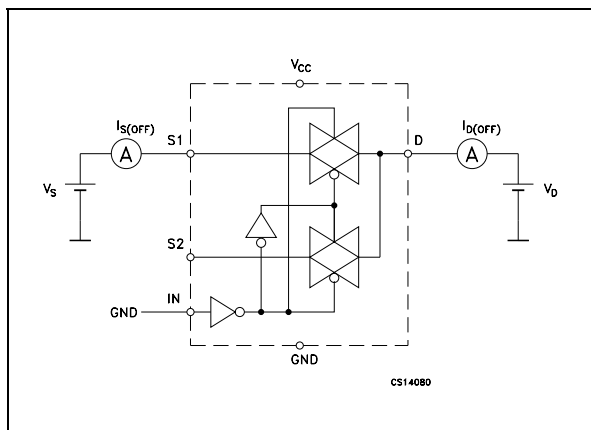


Figure 7: Channel To Channel Crosstalk

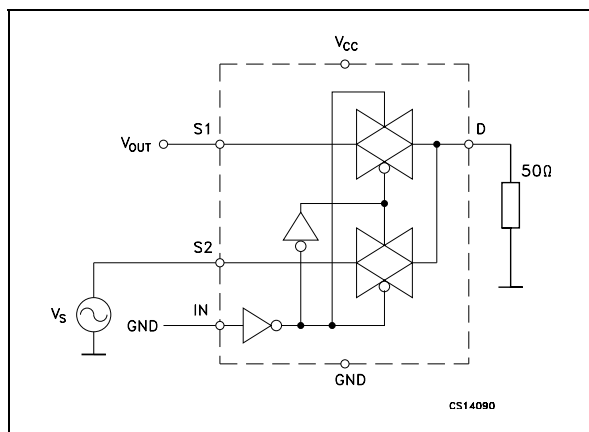


Figure 5: Off Isolation

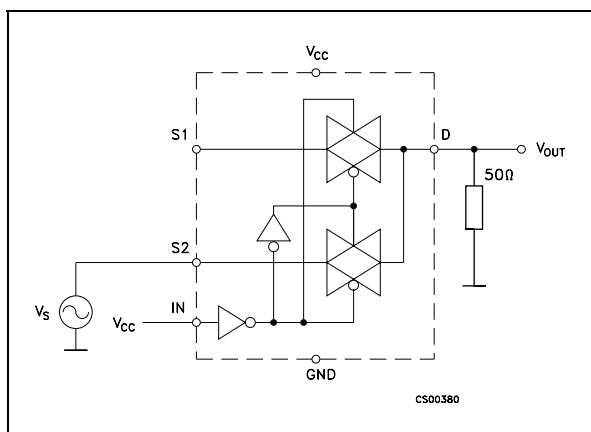
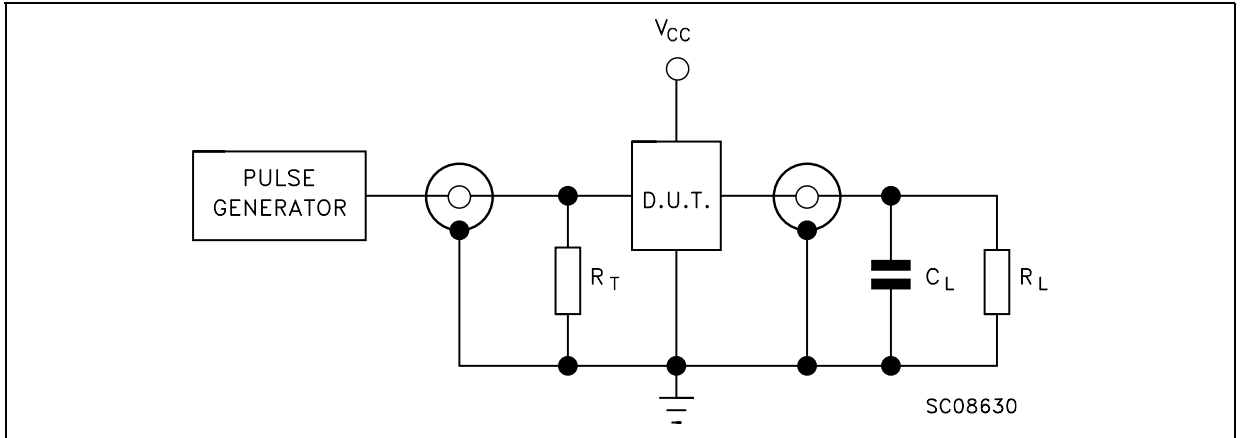


Figure 8: Test Circuit



$C_L = 5/35\text{pF}$ or equivalent (includes jig and probe capacitance)
 $R_L = 50\Omega$ or equivalent
 $R_T = Z_{OUT}$ of pulse generator (typically 50Ω)

Figure 9: Break Before Make Time Delay

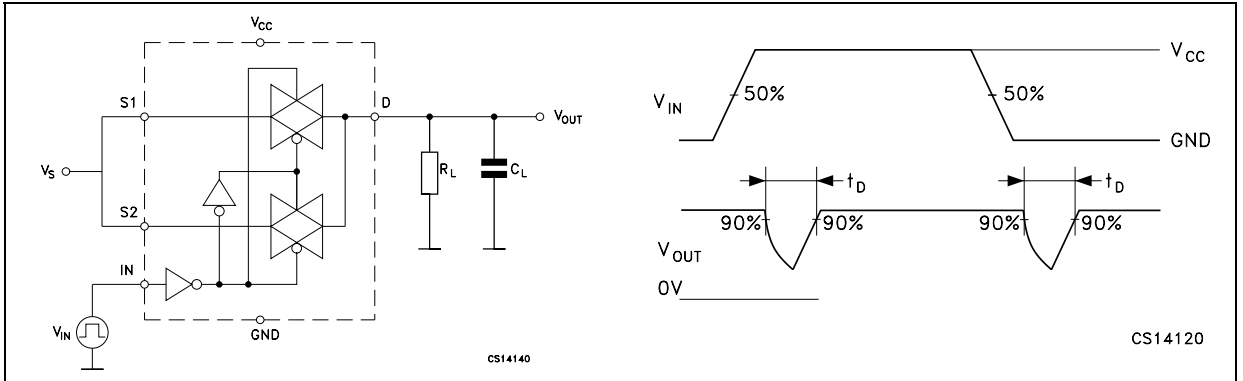


Figure 10: Switching Time And Charge Injection ($V_{GEN}=0V$, $R_{GEN}=0\Omega$, $R_L=1M\Omega$, $C_L=100\text{pF}$)

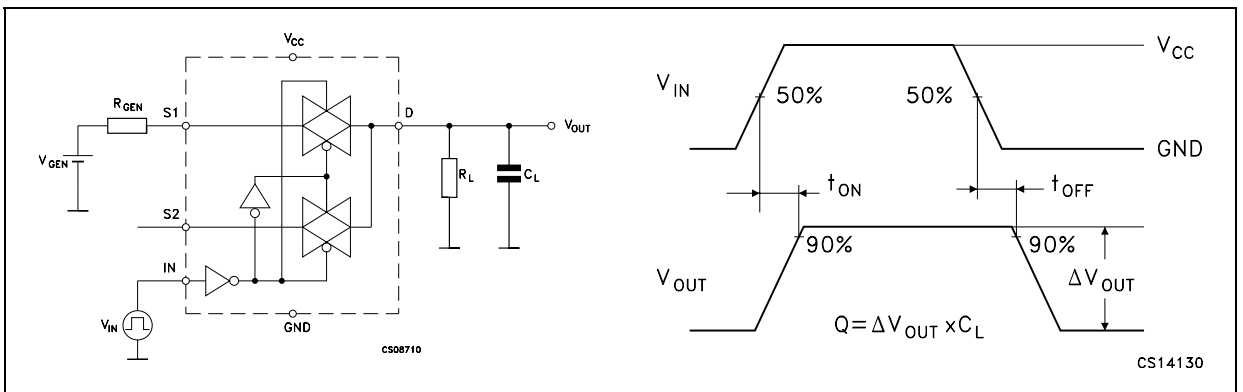
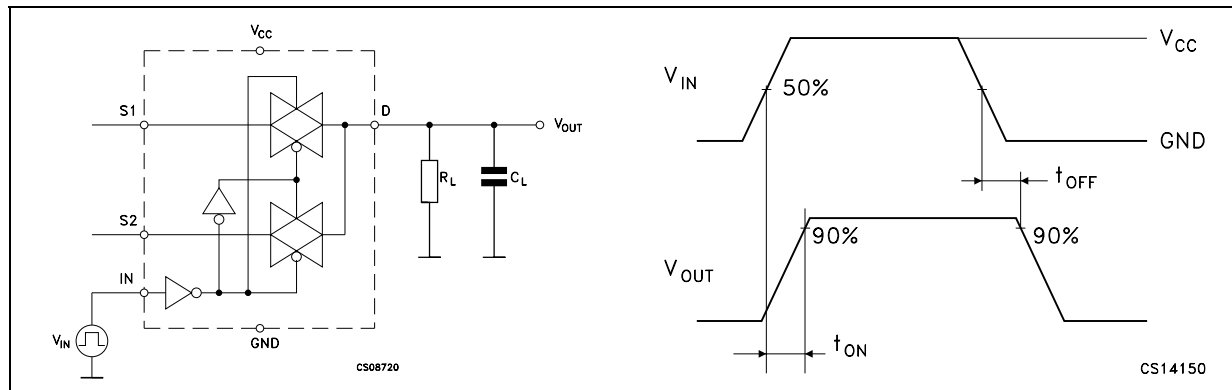
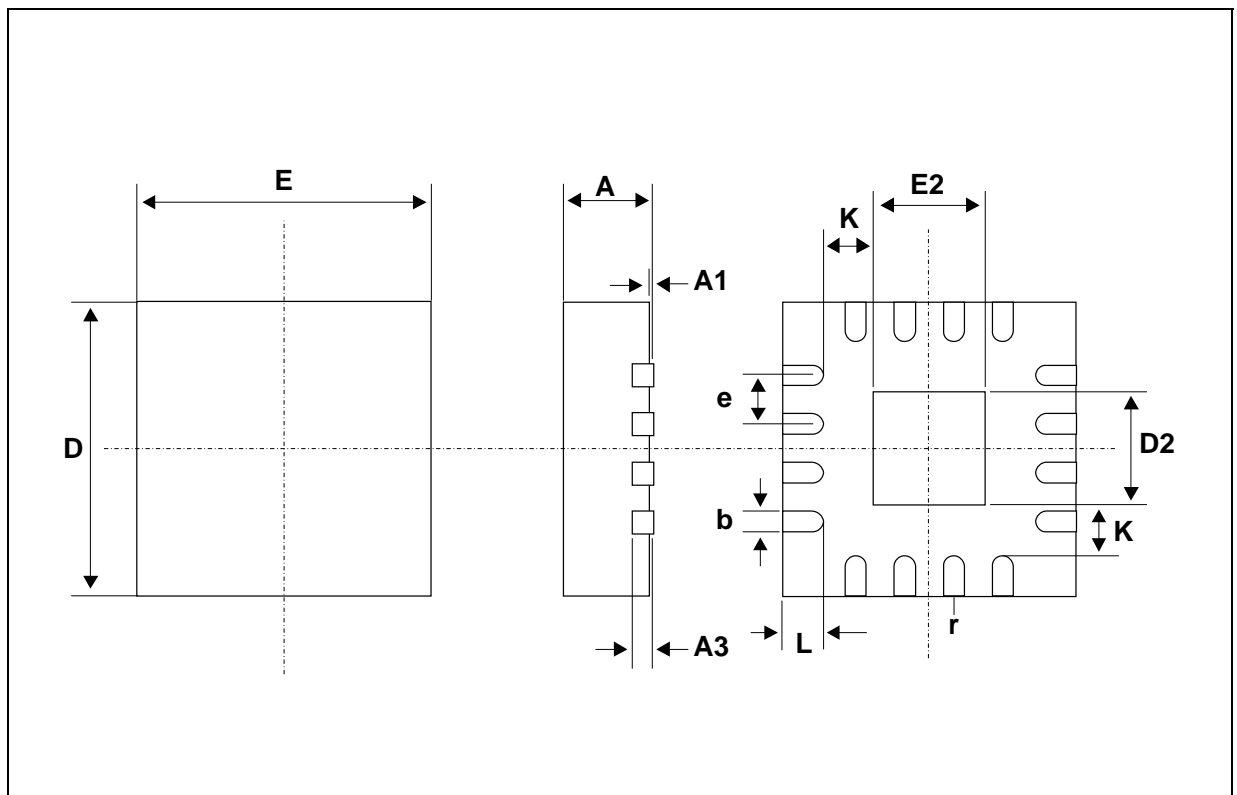


Table 9: Turn On, Turn Off Delay Time



QFN16 (3x3) MECHANICAL DATA

DIM.	mm.			inch		
	MIN.	TYP	MAX.	MIN.	TYP.	MAX.
A	0.80	0.90	1.00	0.032	0.035	0.039
A1		0.02	0.05		0.001	0.002
A3		0.20			0.008	
b	0.18	0.25	0.30	0.007	0.010	0.012
D		3.00			0.118	
D2	1.55	1.70	1.80	0.061	0.067	0.071
E		3.00			0.118	
E2	1.55	1.70	1.80	0.061	0.067	0.071
e		0.50			0.020	
K		0.20			0.008	
L	0.30	0.40	0.50	0.012	0.016	0.020
r	0.09			0.006		



Tape & Reel QFNxx/DFNxx (3x3) MECHANICAL DATA

DIM.	mm.			inch		
	MIN.	TYP	MAX.	MIN.	TYP.	MAX.
A			330			12.992
C	12.8		13.2	0.504		0.519
D	20.2			0.795		
N	60			2.362		
T			18.4			0.724
Ao		3.3			0.130	
Bo		3.3			0.130	
Ko		1.1			0.043	
Po		4			0.157	
P		8			0.315	

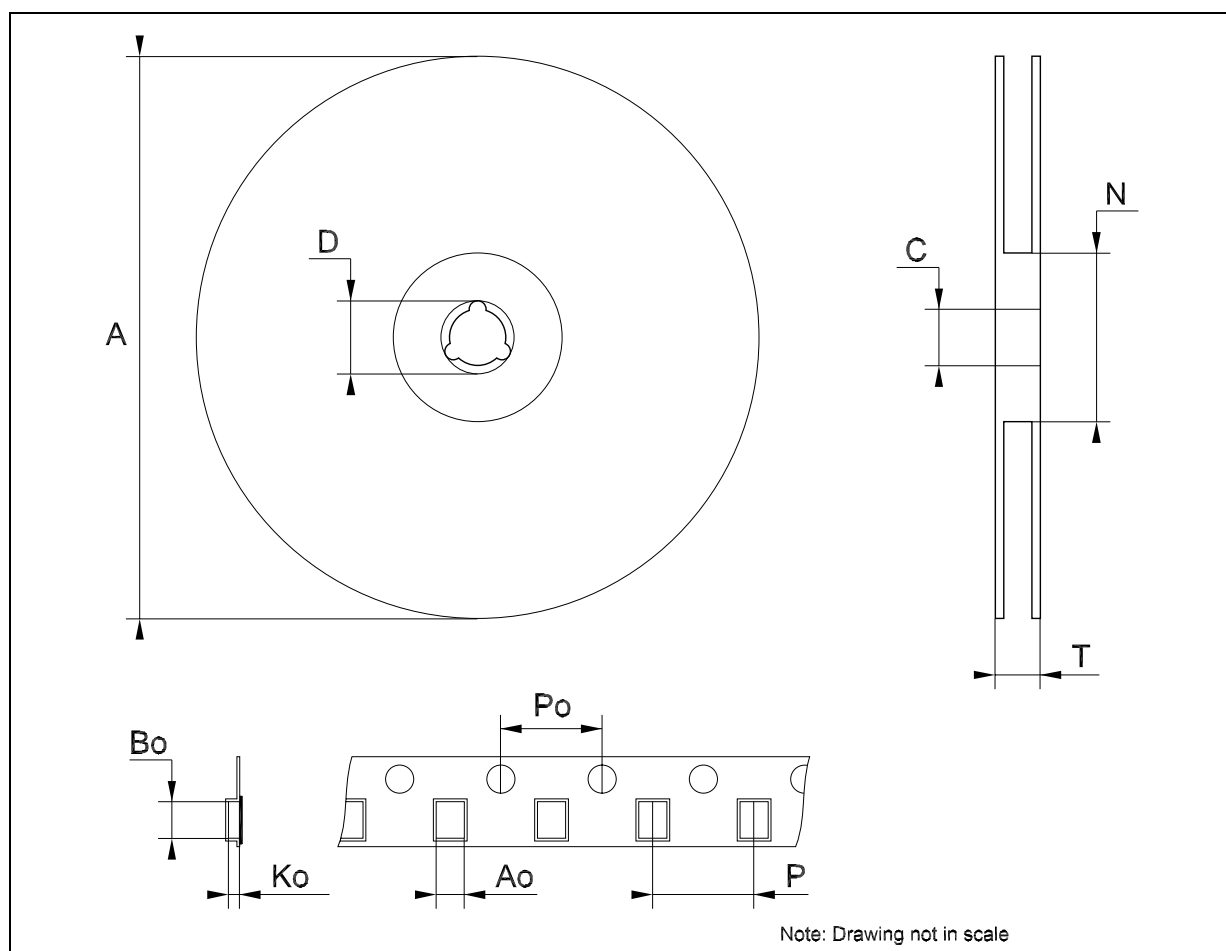


Table 10: Revision History

Date	Revision	Description of Changes
24-Nov-2004	1	First Release.
13-Jan-2005	2	I _{CCLV} is changed on Table 6.

Information furnished is believed to be accurate and reliable. However, STMicroelectronics assumes no responsibility for the consequences of use of such information nor for any infringement of patents or other rights of third parties which may result from its use. No license is granted by implication or otherwise under any patent or patent rights of STMicroelectronics. Specifications mentioned in this publication are subject to change without notice. This publication supersedes and replaces all information previously supplied. STMicroelectronics products are not authorized for use as critical components in life support devices or systems without express written approval of STMicroelectronics.

The ST logo is a registered trademark of STMicroelectronics

All other names are the property of their respective owners

© 2005 STMicroelectronics - All Rights Reserved

STMicroelectronics group of companies

Australia - Belgium - Brazil - Canada - China - Czech Republic - Finland - France - Germany - Hong Kong - India - Israel - Italy - Japan - Malaysia - Malta - Morocco - Singapore - Spain - Sweden - Switzerland - United Kingdom - United States of America

www.st.com