

PLEASE CHECK WWW.MOLEX.COM FOR LATEST PART INFORMATION

Part Number: [0351910200](#)
Status: **Active**
Description: 7.92mm (.312") Pitch Housing: Positive Locking

Documents:

[3D Model](#) [Product Specification PS-35191-003 \(PDF\)](#)
[Drawing \(PDF\)](#) [RoHS Certificate of Compliance \(PDF\)](#)

Agency Certification

CSA	LR19980
TUV	R72081037
UL	E29179

General

Product Family	Crimp Housings
Series	35191
Product Name	N/A

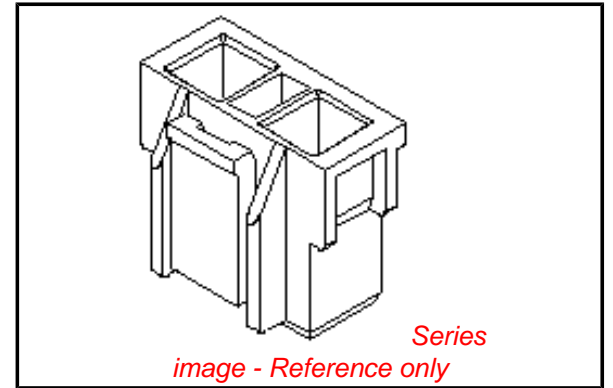
Physical

Circuits (maximum)	2
Color - Resin	Natural
Flammability	94V-0
Gender	Female
Glow-Wire Compliant	No
Material - Resin	Polyester
Number of Rows	1
Packaging Type	Bag
Panel Mount	No
Pitch - Mating Interface (in)	0.312 In
Pitch - Mating Interface (mm)	7.92 mm
Stackable	No
Temperature Range - Operating	-40°C to +105°C

Material Info

Reference - Drawing Numbers

Product Specification	PS-35191-003
Sales Drawing	SD-35191-0200



EU RoHS

ELV and RoHS Compliant
REACH SVHC
 Not Reviewed
Halogen-Free Status

China RoHS



Not Reviewed

Need more information on product environmental compliance?

Email productcompliance@molex.com
 For a multiple part number RoHS Certificate of Compliance, [click here](#)

Please visit the [Contact Us](#) section for any non-product compliance questions.

Search Parts in this Series

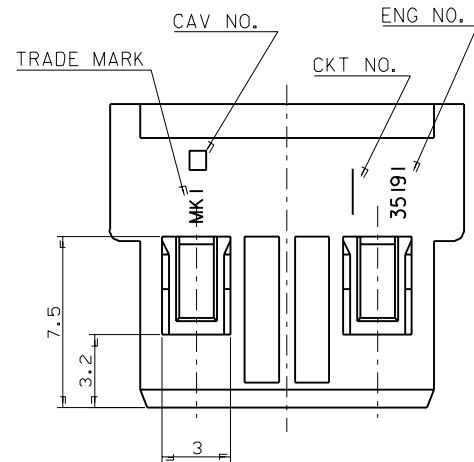
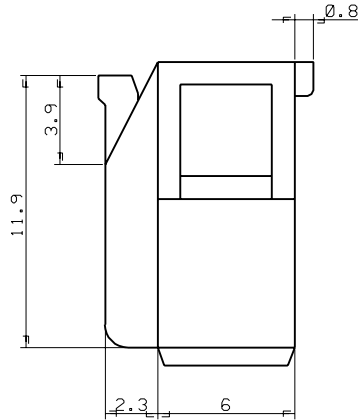
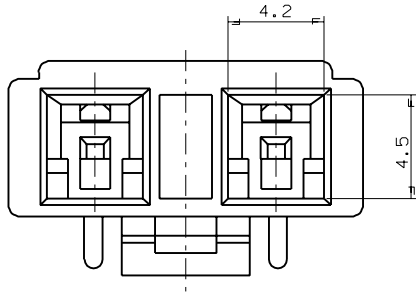
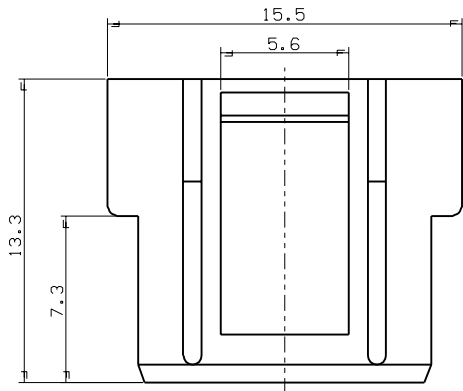
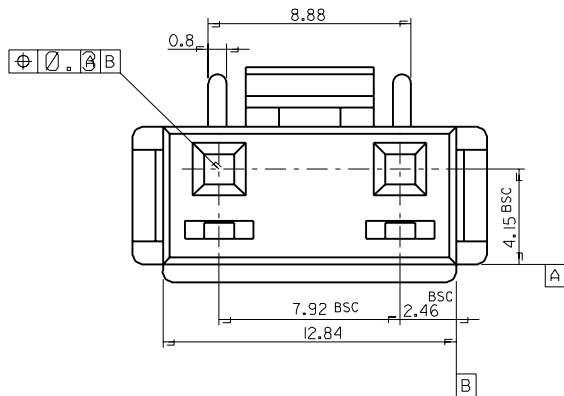
[35191Series](#)

Mates With

[35328-0210](#)

Use With

[35069](#)



NOTE

- 1. MATERIAL : PBT UL94V-0 , NATURAL
- 2. USED TERMINAL : 35069-00
- 3. MATED WAFER ASS'Y : 35328-0210

				MATERIAL PBT (UL94V-0)		MOLEX-KOREA CO.,LTD.	
				GENERAL TOLERANCE DIMENSION : ± 0.2 ANGLE : $\pm 1^\circ$		DRAWN BY H.S.SHIN	
				DIMENSION CLASSIFICATION ▽ : CRITICAL ▼ : MAJOR () : REFERENCE		CHK'D BY	
A NEW RELEASED				96-005	96	SCALE 5-1	
LTR REVISION RECORD				ECN	DATE	TITLE: 7.92 PITCH W/B CONN. POWER(2P) HOUSING	
REVISE ONLY ON CAD SYSTEM				ASS'Y PART DESCRIPTION ENG. NO.		SHEET 1/1	
						ENG. NO. SD 35191-0200	
						REV A	