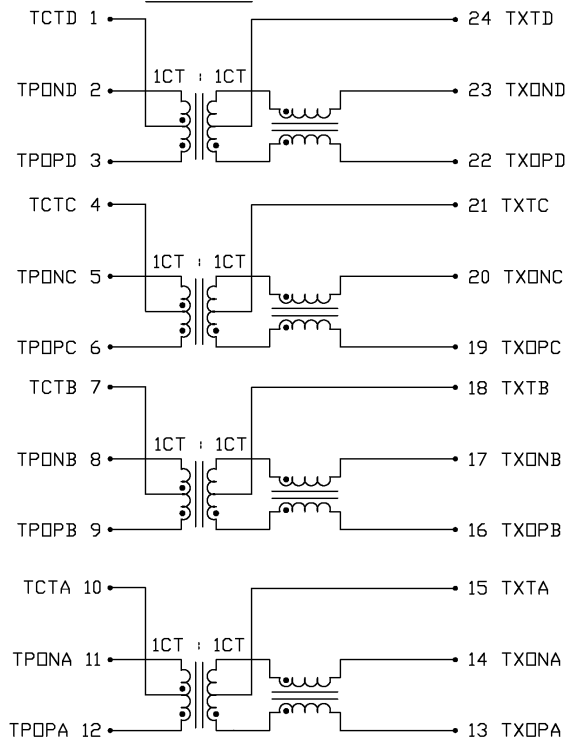


THE INFORMATION CONTAINED HEREIN IS CONSIDERED "PROPRIETARY" TO BEL FUSE INC. AND SHALL NOT BE COPIED, REPRODUCED OR DISCLOSED WITHOUT THE WRITTEN APPROVAL OF BEL FUSE INC.



ELECTRICAL CHARACTERISTICS @ 25°C

SCHEMATIC



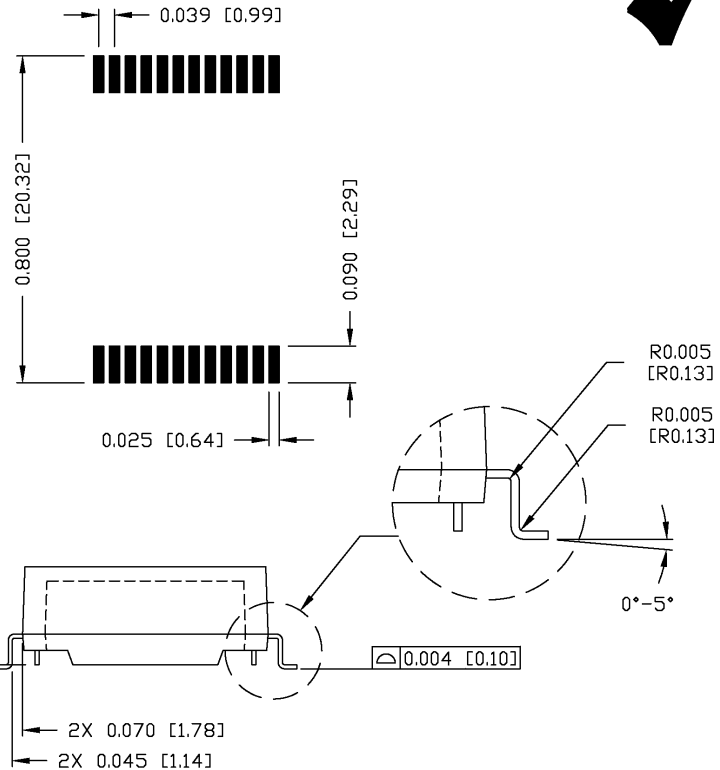
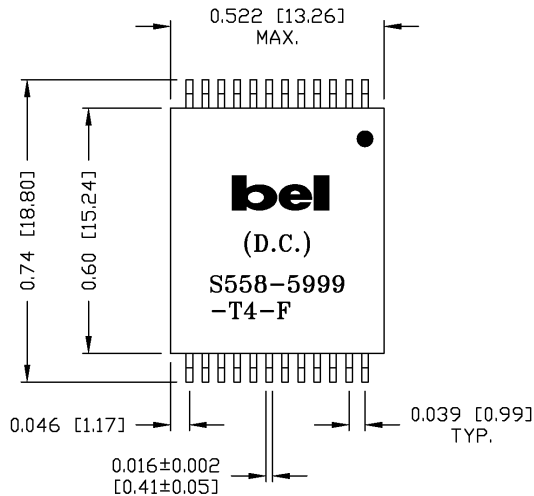
<p>URNS RATIO (3-1-2) : (22-24-23) (6-4-5) : (19-21-20) (9-7-8) : (16-18-17) (12-10-11) : (13-15-14)</p>	<p>1CT : 1CT 1CT : 1CT 1CT : 1CT 1CT : 1CT</p>
<p>DCL</p>	<p>350μH MIN. AT 100kHz, 100mV WITH 8mA DC BIAS @25°C</p>
<p>INSERTION LOSS</p>	<p>1.1dB MAX. @ 0.1 TO 1MHz 0.5dB MAX. @ 1 TO 65MHz 1.0dB MAX. @ 80MHz 1.2dB MAX. @ 125MHz</p>
<p>RETURN LOSS UNDER 100 OHM ±15% ENVIRONMENT</p>	<p>18dB MIN. @ 0.5 TO 40 MHz 12-20LOG (f/80MHz) MIN. @ 40 TO 100 MHz</p>
<p>COMMON TO COMMON REJECTION</p>	<p>30dB MIN. @ 0.1 TO 100 MHz</p>
<p>CROSSTALK</p>	<p>33-20 LOG (F/100 MHz) dB MIN @ 1 TO 100 MHz</p>
<p>HIPOT</p>	<p>PER HAND-WORK-03</p>

ORIGINATED BY	DATE	TITLE	PART NO. / DRAWING NO.	STANDARD DIM.	[] METRIC DIM. AS REFERENCE	
HO	09-20-05		X5585999T4-F	TOL. IN INCH	UNIT : INCH [mm]	
DRAWN BY	DATE	S558-5999-T4-F	FILE NAME	.X	SCALE : N/A	SIZE : A4
DQ Chen	09-20-05		X5585999T4FA.DWG	.XX	SCALE : N/A	SIZE : A4
				.XXX		PAGE : 2

THE INFORMATION CONTAINED HEREIN IS CONSIDERED "PROPRIETARY" TO BEL FUSE INC. AND SHALL NOT BE COPIED, REPRODUCED OR DISCLOSED WITHOUT THE WRITTEN APPROVAL OF BEL FUSE INC.



SUGGESTED PCB PAD LAYOUT



NOTES:

- STANDARD MARKING REFER TO DDC. HAND-WORK-04.
- PACKAGE CODE: "QTS001".

ORIGINATED BY	DATE	TITLE	PART NO. / DRAWING NO.	STANDARD DIM. TOL. IN INCH	[] METRIC DIM. AS REFERENCE	 COMPONENTS OF A CONNECTED PLANET
HO	09-20-05		X5585999T4-F	.X	UNIT : INCH [mm]	
DRAWN BY	DATE	S558-5999-T4-F	FILE NAME	.XX ±0.01	SCALE : N/A	SIZE : A4
DQ Chen	09-20-05		X5585999T4FA.DWG	.XXX ±0.005		PAGE : 3