

PLEASE CHECK WWW.MOLEX.COM FOR LATEST PART INFORMATION

Part Number: [0986581212](#)
Status: **Active**
Overview: [mox crimp terminals](#)
Description: MOX Crimp Terminal, Female, 0.635mm (.025"), 18-22 AWG (0.75mm²), Reel, Tin (Sn)

Documents:

[Packaging Specification \(PDF\)](#) [Product Specification PS-98658-005 \(PDF\)](#)
[Drawing \(PDF\)](#) [RoHS Certificate of Compliance \(PDF\)](#)

General

Product Family: Crimp Terminals
 Series: [98658](#)
 Comments: Terminal has Stainless Steel Sleeve
 Crimp Quality Equipment: Yes
 Overview: [mox crimp terminals](#)
 Product Name: MOX

Physical

Durability (mating cycles max): 20
 Gender: Female
 Material - Metal: Copper-Nickel-Silicon, Stainless Steel
 Material - Plating Mating: Tin
 Material - Plating Termination: Tin
 Packaging Type: Reel
 Plating min: Mating (µin): 40.00
 Plating min: Mating (µm): 1.000
 Plating min: Termination (µin): 40.00
 Plating min: Termination (µm): 1.00
 Termination Interface: Style: Crimp or Compression
 Wire Insulation Diameter: 1.70mm (.067") max.
 Wire Size AWG: N/A
 Wire Size mm²: 0.75

Electrical

Current - Maximum per Contact: 7.5A

Material Info

Reference - Drawing Numbers

Application Specification: AS-98944-005
 Packaging Specification: PK-98658-006
 Product Specification: PS-98658-005
 Sales Drawing: SD-98658-004

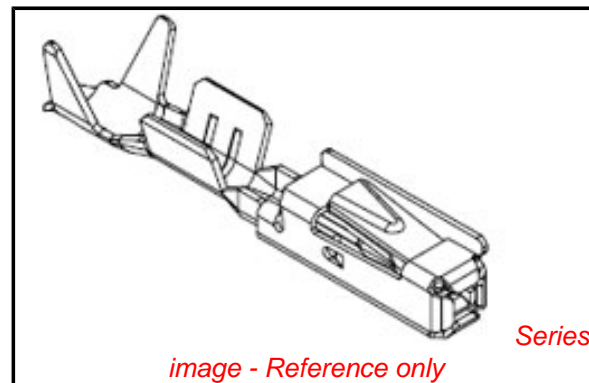


image - Reference only

EU RoHS

ELV and RoHS Compliant
REACH SVHC Contains SVHC: No
Halogen-Free Status

China RoHS



Not Reviewed

Need more information on product environmental compliance?

Email productcompliance@molex.com
 For a multiple part number RoHS Certificate of Compliance, [click here](#)

Please visit the [Contact Us](#) section for any non-product compliance questions.

Search Parts in this Series

[98658Series](#)

Use With

all 0.635mm (.025") MOX Housings

Application Tooling | [FAQ](#)

Tooling specifications and manuals are found by selecting the products below. Crimp Height Specifications are then contained in the Application Tooling Specification document.

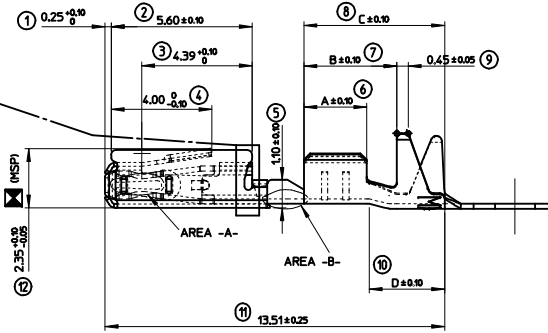
Global

Description	Product #
Extractor Tool for 2.8mm Crimp Terminals	0638136900
Extractor Tool for 2.8mm Crimp Terminals	0638137000
FineAdjust™ Applicator	0638667000
Hand Crimp Tool	0638119300
MOX Extraction Tool	0638132600

This document was generated on 05/25/2010

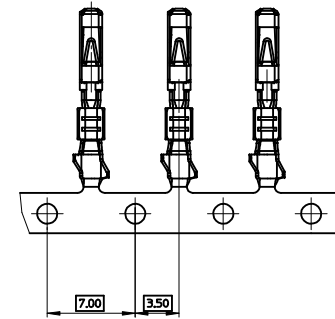
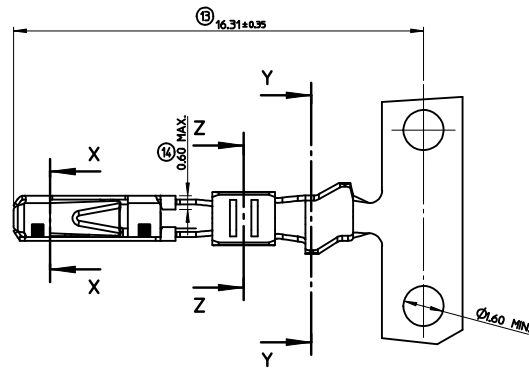
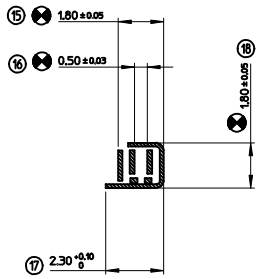
PLEASE CHECK WWW.MOLEX.COM FOR LATEST PART INFORMATION

FORME ADMISE
ALLOWED VERSION

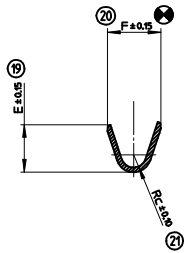


MOLEX REFERENCE	AREA -A- (GAP AREA)	AREA -B-	CRIMP AREA	Wire size range	Longueur Length	Serrisage Conductor Wire Crimp	Serrisage isolant Insulation Crimp	Poids Weight
TIN PLATED VERSION	096581211	HOT TIN DP Sn = 1.0 to 3.0 Hs		0.22 to 0.60 mm2	A-250 B-370 C-560 D-300	E-190 F-240 Rc-050	G-290 H-280 Ri-080	0.600 g
GOLD PLATED VERSION	096581221	Au= 0.4 Hs MIN. Ni= 1.0 Hs MIN.	Sn = 1.0 to 5.0 Hs MIN. Ni = 1.0 Hs MIN.					
GOLD PLATED VERSION	096581231	Au= 0.4 Hs MIN. Ni= 1.0 Hs MIN.	Sn = 1.0 to 5.0 Hs MIN. Ni = 1.0 Hs MIN.					
TIN PLATED VERSION	096581212	HOT TIN DP Sn = 1.0 to 3.0 Hs		0.75 mm2	A-280 B-370 C-560 D-270	E-225 F-225 Rc-050	G-290 H-280 Ri-080	0.600 g
GOLD PLATED VERSION	096581222	Au= 0.4 Hs MIN. Ni= 1.0 Hs MIN.	Sn = 1.0 to 5.0 Hs MIN. Ni = 1.0 Hs MIN.					
GOLD PLATED VERSION	096581232	Au= 0.4 Hs MIN. Ni= 1.0 Hs MIN.	Sn = 1.0 to 5.0 Hs MIN. Ni = 1.0 Hs MIN.					
TIN PLATED VERSION	096581213	HOT TIN DP Sn = 1.0 to 3.0 Hs		0.22 to 0.50 mm2	A-250 B-370 C-560 D-300	E-180 F-180 Rc-040	G-290 H-290 Ri-070	0.600 g
GOLD PLATED VERSION	096581223	Au= 0.4 Hs MIN. Ni= 1.0 Hs MIN.	Sn = 1.0 to 5.0 Hs MIN. Ni = 1.0 Hs MIN.					
GOLD PLATED VERSION	096581233	Au= 0.4 Hs MIN. Ni= 1.0 Hs MIN.	Sn = 1.0 to 5.0 Hs MIN. Ni = 1.0 Hs MIN.					

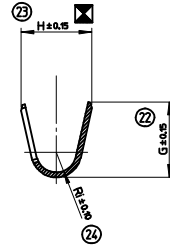
X-X



Z-Z



Y-Y



NOTE:

- MATERIAL: CONTACT BODY: HIGH CONDUCTIVE COPPER ALLOY.
SLEEVE: STAINLESS STEEL.
- PACKAGING SPECIFICATION: PK-98658-006.
- CRIMPING PARAMETERS AND CRIMPING TOOL DEFINITION: SEE CS-98658-001.

INDICATION DIMENSIONS S.P.C DENOTES S.P.C DIMENSIONS	INDICATION DIMENSIONS DETERMINANT LES CAPACITES MACHINE
INDICATION DIMENSIONS DETERMINING THE MACHINE'S ABILITIES	INDICATION DIMENSIONS FONCTIONNELLES DENOTES FUNCTIONAL DIMENSIONS
QUANTITE PAR FEUILLE INDIVIDUELLE QUANTITY PER INDIVIDUAL SHEET	
☒ - 2	● - 4

CHANGED DR. E & F FOR 0.5 mmZ EC NO: GZ008-049Z DRAWN BY: JAMSSON CHKD/MANDRE APPROVAL/LEKER	2008/12/04	2008/12/02	2008/12/08	DESCRIPTION	GENERAL TOLERANCES (UNLESS SPECIFIED)	DIMENSION STYLE MM ONLY	SCALE 10:1	DESIGN UNITS METRIC	FIRST ANGLE PROJECTION
	4 PLACES ± --- ± ---	3 PLACES ± --- ± ---	2 PLACES ± 0. ± ---	1 PLACE ± 0. ± ---	mm INCH	DRAWN BY DATE JAMSSON 1998/06/01	TITLE MOX 0.63 TERMINAL RECEPTACLE TERMINAL GENERIC CONTROL DRAWING	MOLEX INCORPORATED	SHEET NO. 1 OF 1
	ANGULAR ± 1/2°	DRAFT WHERE APPLICABLE MUST REMAIN WITHIN DIMENSIONS		SEE CHART	APPROVED BY DATE CBOUCHAN 1999/10/14	MATERIAL NO. SD-98658-004	DOCUMENT NO.		
	THIS DRAWING CONTAINS INFORMATION THAT IS PROPRIETARY TO MOLEX INCORPORATED AND SHOULD NOT BE USED WITHOUT WRITTEN PERMISSION								