

# Sunlight Readability Contrast Measurements for the ISD2351 and ISD2353 Serial Input Small Alphanumeric Display Appnote 47

by Bob Krause

## Introduction

Light emitting diode alphanumeric displays have had a long and successful relationship with military and avionic equipment. Applications with very high light ambients now are possible because of advances in the efficiency of LEDs. Polarized filters enhance the readability of LEDs by eliminating much of the ambient reflection from the LED die and the surrounding package.

## Readability Criteria

An observer's ability to perceive the information from an alphanumeric display depends on two factors. These include font and size of the message in relationship to the viewing position and the optical contrast of the message to the surrounding environment.

Optical contrast is the comparison of the brightness or sterance (L) of the On/Off/LED to the brightness of the surrounding environment. High readability results by optimizing the following contrast ratios. The first ratio, C<sub>1</sub>, involves the OnLED sterance, L<sub>LEDon</sub>, and the background sterance, L<sub>B</sub>, is optimized when the OnLED is brighter than the surrounding area. Thus C<sub>1</sub> will be much greater than unity (1).

The next ratio, C<sub>2</sub>, involves the sterance ratio of the On, L<sub>LEDon</sub>, and Off, L<sub>LEDoft</sub>, LED. C<sub>2</sub> is optimized when the L<sub>LEDon</sub> is much greater than the L<sub>LEDoft</sub>, resulting in being much greater than unity (1).

The optimal ratio of C<sub>3</sub>, involving OffLED to the background, is achieved when the ratio is near zero. The OffLED should have minimal contrast with the background.

## Ratio Equations

1) C<sub>1</sub>—OnLED to Background

$$C_1 = \frac{L_{LEDon} - L_B}{L_B}$$

2) C<sub>2</sub>—OnLED to OffLED

$$C_2 = \frac{L_{LEDon} - L_{LEDoft}}{L_{LEDoft}}$$

3) C<sub>3</sub>—OffLED to Background

$$C_3 = \frac{L_{LEDoft} - L_B}{L_B}$$

The equations for these three ratios are given below. The U.S. military has established contrast ratios for sunlight readability criteria. These criteria are published in "Night Vision Goggle Lighting Specification." They are shown below:

C<sub>1</sub>—OnLED to Background ≥ 2.0:1 Minimum

C<sub>2</sub>—OnLED to OffLED ≥ 2.0:1 Minimum

C<sub>3</sub>—OffLED to Background ≤ 0.25:1 Maximum

## Optical Filtering

An LED, regardless of its brightness, has a difficulty competing with the sterance of the sun. An LED display can be greatly improved by using contrast enhancing filters. The filter of choice is one that eliminates the glare of the sun with the background of the display. Many filter vendors offer anti-reflection coated, circular polarizers (AR/CP), optically tinted bandpass and neutral density filters which have proven very helpful in satisfying the readability contrast requirements.

The display front surface and the areas surrounding the display have specular reflector characteristics. This reflection allows optimum contrast when used with a circular polarizer with anti-reflective coating. See Table 1 for Filter Selection Guide.

**Table 1. Contrast enhancement filter selection guide**

Display P/N or Condition	Display Color	Transmission	Filter Color	Filter Model / Filter Manufa
ISD2010 ISD2012 ISD2352* ISD2310 ISD2312	Red/ Hi Eff. Red	25% at 635 nm	Red	MPC 20-15C Marks
ISD2011 ISD2351* ISD2311	Yellow	25% at 585 nm	Amber	MPC 30-25C Marks
ISD2013 ISD2353* ISD2313	Hi Eff. Green	22% at 565 nm	Yellow/Green	MPC 50-22C Marks
High Ambient Light	All Colors	10% Neutral	Neutral Gray	MPC 80-10C Marks
High Ambient Light	All Colors	37% Neutral	Neutral Gray	MPC 80-37C Marks
ISD2010 ISD2012 ISD2352* ISD2310 ISD2312	Red/ Hi Eff. Red	14%	Reddish Orange	HLF-608-5R Hoya
ISD2011 ISD2351* ISD2311	Yellow	14%	Yellowish Orange	HLF-608-3Y Hoya
ISD2013 ISD2353* ISD2313	Hi Eff. Green	14%	Yellow/Green	HLF-608-1G Hoya
High Ambient Light	All Colors	10% Neutral	Neutral Gray	HNCP10 Polaroid

\* Sunlight viewable displays. All other part numbers represent all the standard Military Small Alphanumeric Displays.

### Manufacturers

Marks Polarized Corporation  
25B Jefryn Blvd. West  
Deer Park, NY 1179-5715  
(516) 242-1300

HOYA Optics, Inc.  
3400 Edison Way  
Fremont, CA 94538-6138  
(415) 490-1880

Polaroid Corp.  
Polarizer Division  
1 Upland Road  
Norwood, MA 02062  
(617) 577-2000

### Contrast Measurements

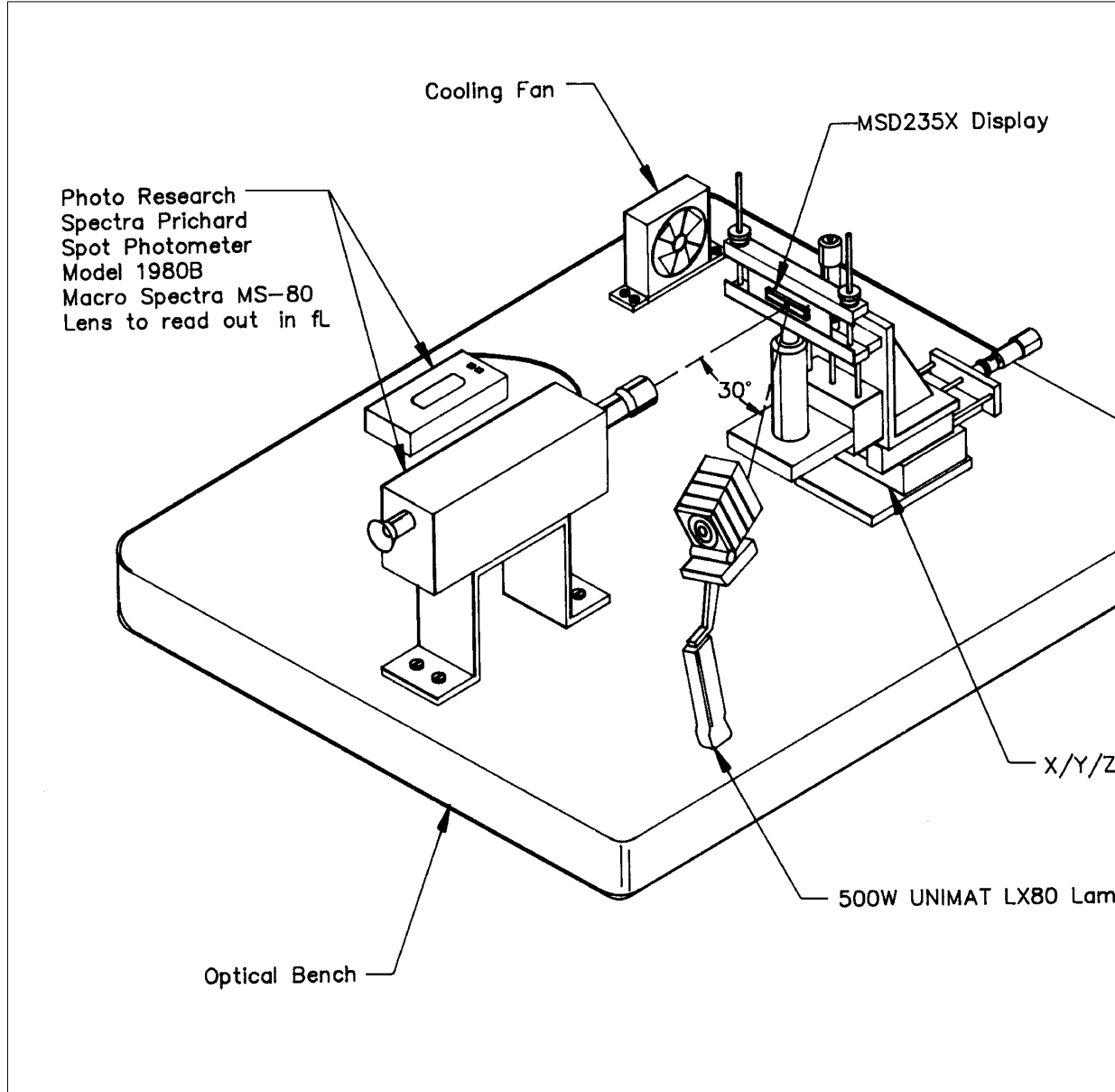
The ability to read a display in direct sunlight used to be determined by using a series of standard observers and irradiating the display with one sun. Recent technical studies have established contrast criteria permitting laboratory measurements that verify sunlight readability.

A yellow ISD2351 and a high efficiency green ISD2353 Small Alphanumeric Display were evaluated for sunlight readability under a simulated sun with an incident of 4200 fc. These two displays were tested with both pass-band and neutral density AR/CP filters. The measurement technique and results follow.

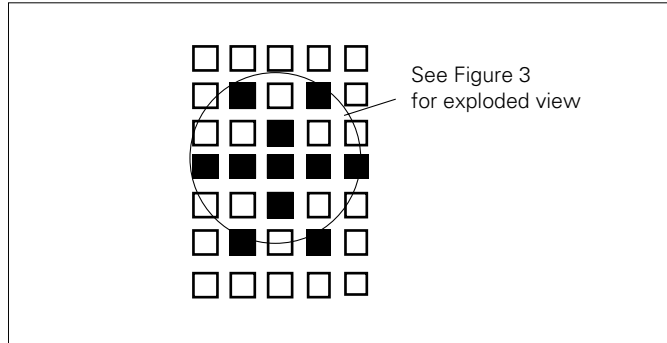
### Contrast Measurement Setup

Contrast measurements require the use of a spot photometer which measures the luminance of the surface within a defined spot size. A Photo Research Spectra Pritchard spot photometer Model 1980B with a Macro Spectra MS-80 Lens was used and set to read out in foot Lamberts, fL. The photometer and lens were mounted on a micro adjustable X/Y/Z stage. The stage, the spot photometer, and a 500 W Unimat LX80 lamp were mounted on an optical bench. The light source was oriented 30° from the normal of the display. See Figure 1.

**Figure 1. Sunlight readability contrast measurement setup**



**Figure 2. LEDs selected for measurement**



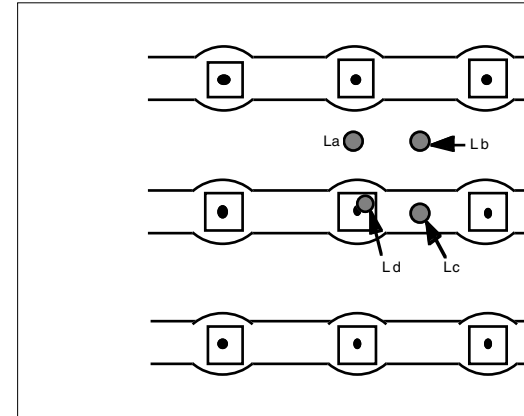
The sterance measurements were made using the photometer with an angle setting of 2 minutes resulting in a spot size of .004 in. The incidence flux was determined by using a Kodak 6080 standard lambertian reflector painted slide.

The X/Y/Z stage supported the display, the AR/CP filter, and the display drive electronics. Figure 3 shows the asterisk (\*) programmed on the display. Each LED had a duty factor of ON 17.6%. The center of the asterisk was used as the measurement LED. The stage was used to position the display at the four contrast measurement points as shown in Figure 2.

**Contrast Calculations**

The data derived from the spot photometer was used to calculate the three contrast ratios,  $C_1$ ,  $C_2$ ,  $C_3$ . For best accuracy,  $L_B$  was the average of three spot locations. Figure 3 shows these as  $L_a$ ,  $L_b$ ,  $L_c$ .  $L_a$  is the substrate sterance between two LED die,  $L_b$  is the substrate sterance of the area between four LED die; and  $L_c$  is the sterance of a gold trace connecting the LEDs.

**Figure 3. Points for luminous sterance mea**



Measurements were made using a yellow ISD2353 display and a yellow bandpass AR/CP filter. Marks MPC80-10C neutral density gray filter. The typical intensity of 2450  $\mu\text{cd}/\text{LED}$  with an average wavelength of 585 nm.

Measurements were also made using a green ISD2353 display and a green bandpass AR/CP filter. Marks MPC50-22C yellow/green bandpass filter and MPC80-10C neutral density gray filter. This displayed a typical intensity of 3470  $\mu\text{cd}/\text{LED}$  with an average wavelength of 572 nm.

The data and results of the experiment are shown in Table 2.

**Conclusion**

From the data, the most readable combination is the yellow ISD2353 display and a yellow bandpass AR/CP filter. The green display and the 10% transmissive neutral density gray AR/CP filter. In both cases these combinations exceeded the military limit by almost 2.5 times. The yellow display provided optimum contrast with a neutral density AR/CP filter.

**Table 2. Luminous contrast at 4200 fc**

Display Color Filter Model #	Status	Footlamberts						
		$L_a$	$L_b$	$L_c$	$L_d$	$L_B$	$C_1$	$C_2$
Green MPC50-22C	LED-On	12.00	10.20	27.10	101.60	16.43	5.18	7.06
	LED-Off	11.00	9.40	20.60	12.60	13.67		
Green MPC80-10C	LED-On	9.70	8.60	17.80	69.80	12.03	4.80	5.91
	LED-Off	8.80	8.60	11.40	10.10	9.60		
Green MPC50-22C	LED-On	12.60	11.30	37.30	111.00	15.30	6.25	6.71
	LED-Off	11.10	9.80	17.70	14.40	12.87		
Yellow MPC80-10C	LED-On	9.30	8.20	19.40	46.50	12.30	2.78	5.04
	LED-Off	7.80	7.20	10.30	7.70	8.43		
Yellow No Filter	LED-On	208.00	198.00	650.00	480.00	352.00	0.36	1.81
	LED-Off	198.00	171.00	853.00	171.00	407.33		