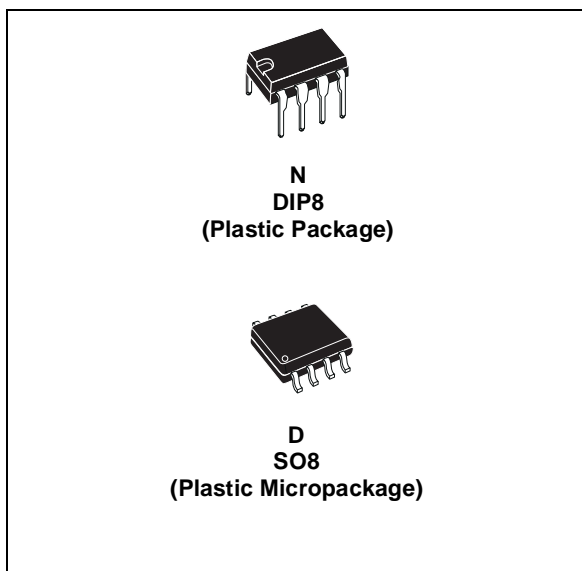




**LOW NOISE J-FET DUAL OPERATIONAL AMPLIFIERS**

- WIDE COMMON-MODE (UP TO  $V_{CC}^+$ ) AND DIFFERENTIAL VOLTAGE RANGE
- LOW INPUT BIAS AND OFFSET CURRENT
- LOW NOISE  $e_n = 15nV/\sqrt{Hz}$  (typ)
- OUTPUT SHORT-CIRCUIT PROTECTION
- HIGH INPUT IMPEDANCE J-FET INPUT STAGE
- LOW HARMONIC DISTORTION : 0.01% (typ)
- INTERNAL FREQUENCY COMPENSATION
- LATCH UP FREE OPERATION
- HIGH SLEW RATE :  $16V/\mu s$  (typ)

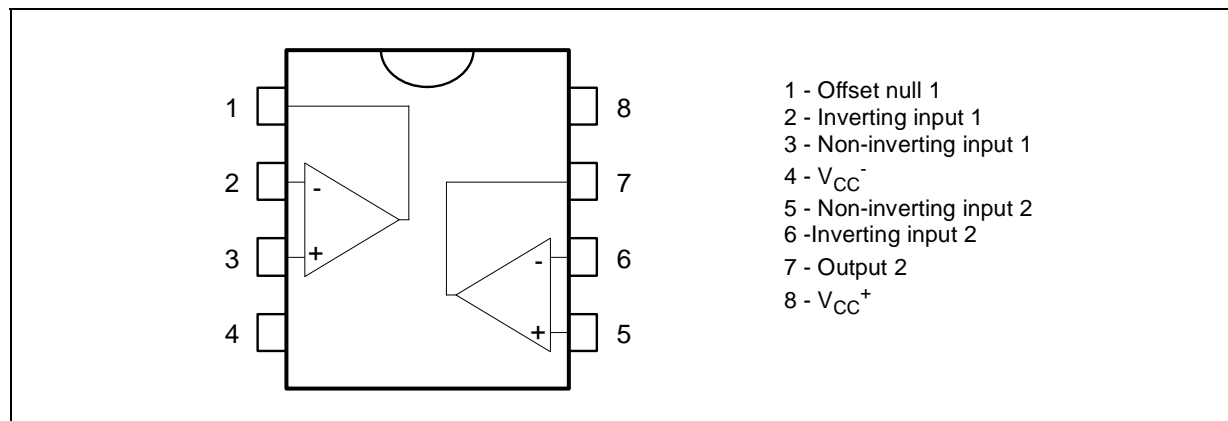


**DESCRIPTION**

The TL072, TL072A and TL072B are high speed J-FET input dual operational amplifiers incorporating well matched, high voltage J-FET and bipolar transistors in a monolithic integrated circuit.

The devices feature high slew rates, low input bias and offset current, and low offset voltage temperature coefficient.

**PIN CONNECTIONS** (top view)



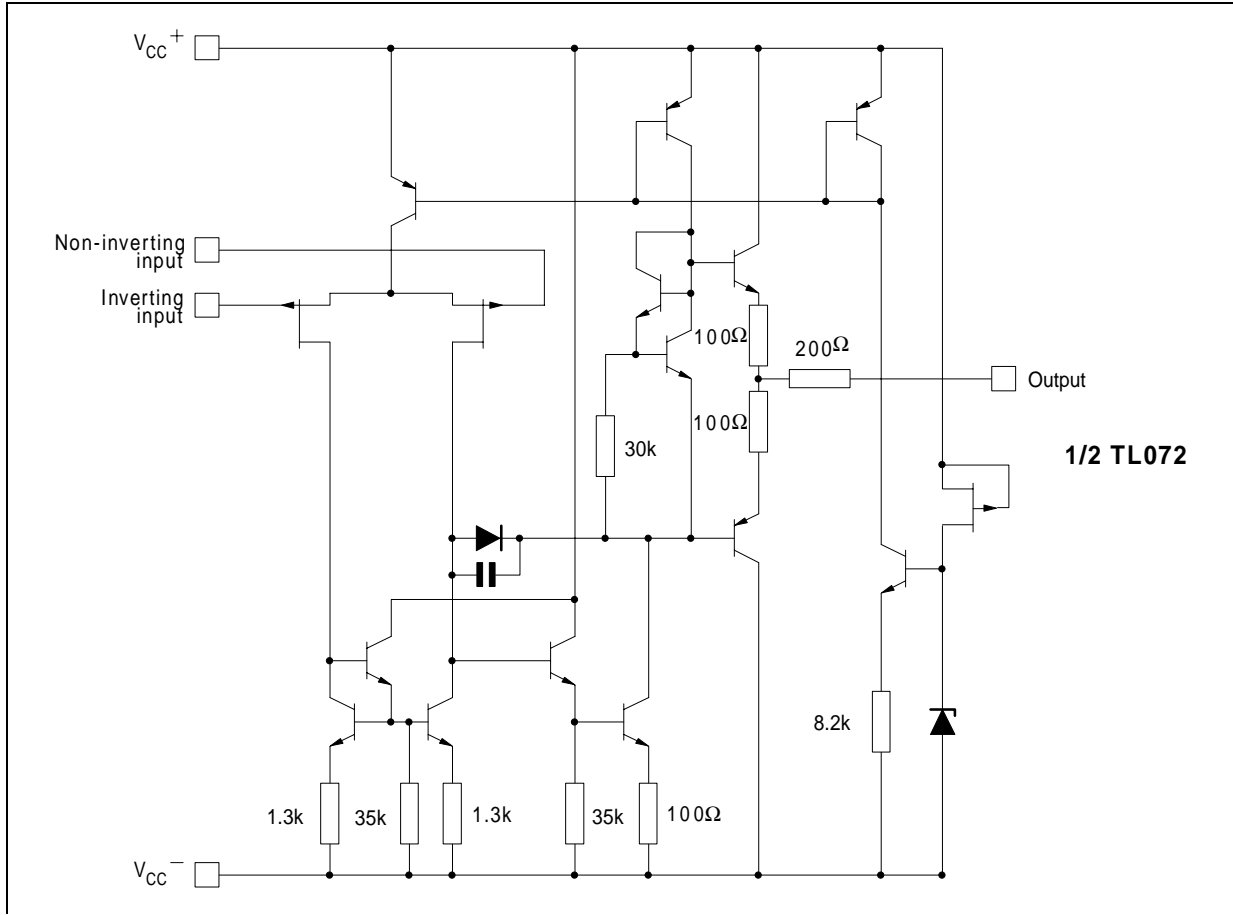
**ORDER CODE**

Part Number	Temperature Range	Package	
		N	D
TL072M/AM/BM	-55°C, +125°C	•	•
TL072I/AI/BI	-40°C, +105°C	•	•
TL072C/AC/BC	0°C, +70°C	•	•

**Example : TL072CN**

**N** = Dual in Line Package (DIP)  
**D** = Small Outline Package (SO) - also available in Tape & Reel (DT)

**SCHEMATIC DIAGRAM**



**ABSOLUTE MAXIMUM RATINGS**

Symbol	Parameter	TL072M, AM, BM	TL072I, AI, BI	TL072C, AC, BC	Unit
$V_{CC}$	Supply voltage - note 1)	±18			V
$V_i$	Input Voltage - note 2)	±15			V
$V_{id}$	Differential Input Voltage - note 3)	±30			V
$P_{tot}$	Power Dissipation	680			mW
	Output Short-circuit Duration - note 4)	Infinite			
$T_{oper}$	Operating Free-air Temperature Range	-55 to +125	-40 to +105	0 to +70	°C
$T_{stg}$	Storage Temperature Range	-65 to +150			°C

1. All voltage values, except differential voltage, are with respect to the zero reference level (ground) of the supply voltages where the zero reference level is the midpoint between  $V_{CC+}$  and  $V_{CC-}$ .
2. The magnitude of the input voltage must never exceed the magnitude of the supply voltage or 15 volts, whichever is less.
3. Differential voltages are the non-inverting input terminal with respect to the inverting input terminal.
4. The output may be shorted to ground or to either supply. Temperature and/or supply voltages must be limited to ensure that the dissipation rating is not exceeded.

**ELECTRICAL CHARACTERISTICS**

$V_{CC} = \pm 15V$ ,  $T_{amb} = +25^{\circ}C$  (unless otherwise specified)

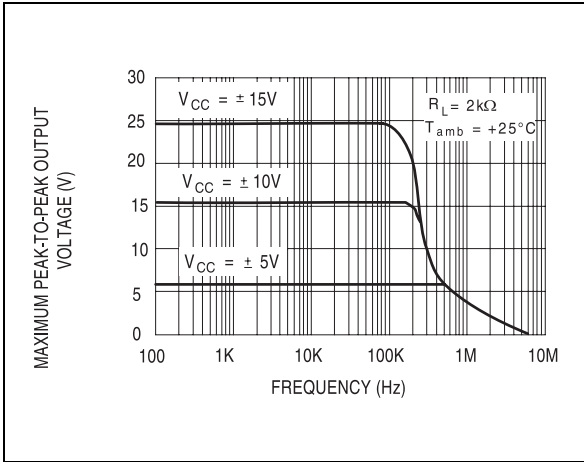
Symbol	Parameter	TL072I,M,AC,AI,AM, BC,BI,BM			TL072C			Unit
		Min.	Typ.	Max.	Min.	Typ.	Max.	
$V_{io}$	Input Offset Voltage ( $R_S = 50\Omega$ ) $T_{amb} = +25^{\circ}C$ $T_{min} \leq T_{amb} \leq T_{max}$		3 3 1	10 6 3 13 7 5		3 10		mV
$DV_{io}$	Input Offset Voltage Drift		10			10		$\mu V/^{\circ}C$
$I_{io}$	Input Offset Current - note 1) $T_{amb} = +25^{\circ}C$ $T_{min} \leq T_{amb} \leq T_{max}$		5	100 4		5 100		pA nA
$I_{ib}$	Input Bias Current -note 1 $T_{amb} = +25^{\circ}C$ $T_{min} \leq T_{amb} \leq T_{max}$		20	200 20		20 200		pA nA
$A_{vd}$	Large Signal Voltage Gain ( $R_L = 2k\Omega$ , $V_o = \pm 10V$ ) $T_{amb} = +25^{\circ}C$ $T_{min} \leq T_{amb} \leq T_{max}$	50 25	200		25 15	200		V/mV
SVR	Supply Voltage Rejection Ratio ( $R_S = 50\Omega$ ) $T_{amb} = +25^{\circ}C$ $T_{min} \leq T_{amb} \leq T_{max}$	80 80	86		70 70	86		dB
$I_{CC}$	Supply Current, no load $T_{amb} = +25^{\circ}C$ $T_{min} \leq T_{amb} \leq T_{max}$		1.4	2.5 2.5		1.4 2.5		mA
$V_{icm}$	Input Common Mode Voltage Range	$\pm 11$	+15 -12		$\pm 11$	+15 -12		V
CMR	Common Mode Rejection Ratio ( $R_S = 50\Omega$ ) $T_{amb} = +25^{\circ}C$ $T_{min} \leq T_{amb} \leq T_{max}$	80 80	86		70 70	86		dB
$I_{os}$	Output Short-circuit Current $T_{amb} = +25^{\circ}C$ $T_{min} \leq T_{amb} \leq T_{max}$	10 10	40	60 60	10 10	40 60		mA
$\pm V_{opp}$	Output Voltage Swing $T_{amb} = +25^{\circ}C$ $T_{min} \leq T_{amb} \leq T_{max}$		10 12 10 12			10 12 10 12		V
SR	Slew Rate ( $T_{amb} = +25^{\circ}C$ ) $V_{in} = 10V$ , $R_L = 2k\Omega$ , $C_L = 100pF$ , unity gain		8	16		8 16		V/ $\mu s$
$t_r$	Rise Time ( $T_{amb} = +25^{\circ}C$ ) $V_{in} = 20mV$ , $R_L = 2k\Omega$ , $C_L = 100pF$ , unity gain			0.1		0.1		$\mu s$
$K_{ov}$	Overshoot ( $T_{amb} = +25^{\circ}C$ ) $V_{in} = 20mV$ , $R_L = 2k\Omega$ , $C_L = 100pF$ , unity gain			10		10		%
GBP	Gain Bandwidth Product ( $T_{amb} = +25^{\circ}C$ ) $V_{in} = 10mV$ , $R_L = 2k\Omega$ , $C_L = 100pF$ , $f = 100kHz$		2.5	4		2.5 4		MHz
$R_i$	Input Resistance			$10^{12}$		$10^{12}$		$\Omega$

## TL072 - TL072A - TL072B

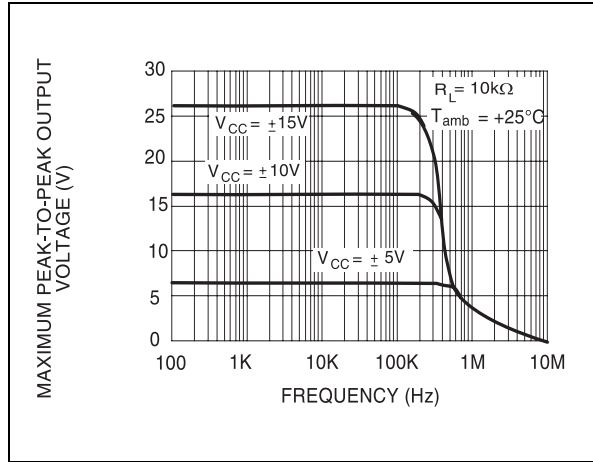
Symbol	Parameter	TL072I,M,AC,AI,AM, BC,BI,BM			TL072C			Unit
		Min.	Typ.	Max.	Min.	Typ.	Max.	
THD	Total Harmonic Distortion ( $T_{amb} = +25^{\circ}\text{C}$ ) $f = 1\text{kHz}$ , $R_L = 2\text{k}\Omega$ , $C_L = 100\text{pF}$ , $A_V = 20\text{dB}$ , $V_o = 2V_{pp}$		0.01			0.01		%
$e_n$	Equivalent Input Noise Voltage $R_S = 100\Omega$ , $f = 1\text{kHz}$		15			15		$\frac{\text{nV}}{\sqrt{\text{Hz}}}$
$\phi_m$	Phase Margin		45			45		degrees
$V_{o1}/V_{o2}$	Channel separation $A_V = 100$		120			120		dB

- The input bias currents are junction leakage currents which approximately double for every  $10^{\circ}\text{C}$  increase in the junction temperature.

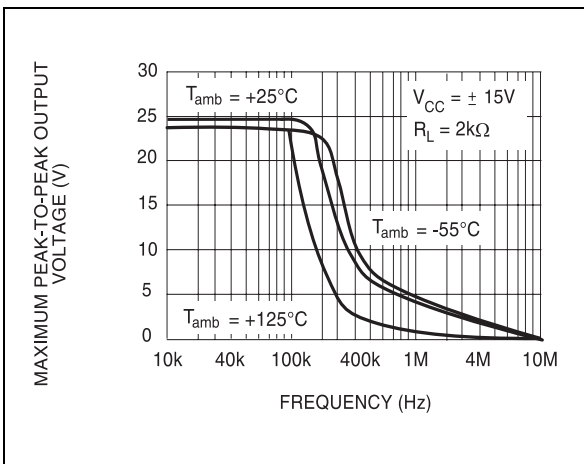
**MAXIMUM PEAK-TO-PEAK OUTPUT VOLTAGE versus FREQUENCY**



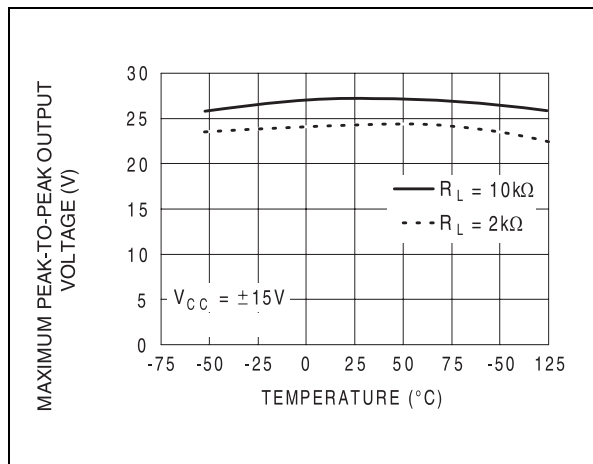
**MAXIMUM PEAK-TO-PEAK OUTPUT VOLTAGE versus FREQUENCY**



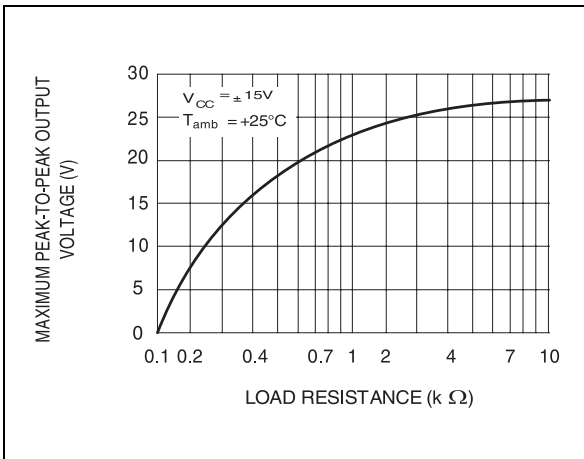
**MAXIMUM PEAK-TO-PEAK OUTPUT VOLTAGE versus FREQUENCY**



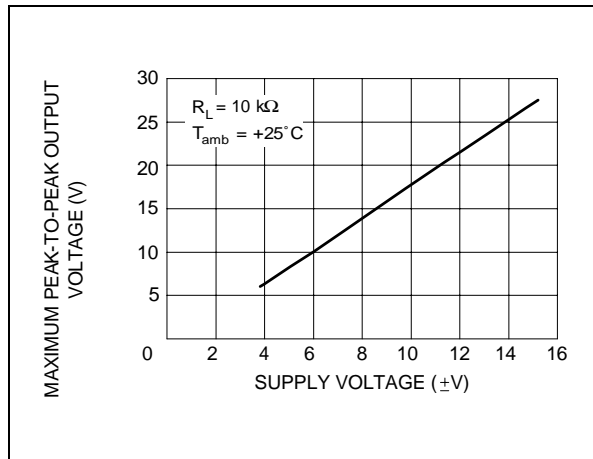
**MAXIMUM PEAK-TO-PEAK OUTPUT VOLTAGE versus FREE AIR TEMP.**



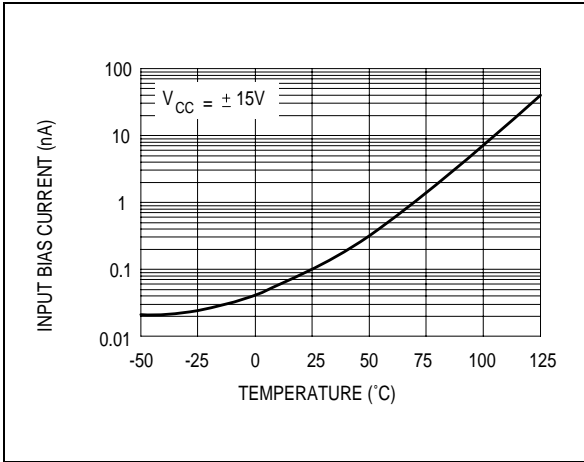
**MAXIMUM PEAK-TO-PEAK OUTPUT VOLTAGE versus LOAD RESISTANCE**



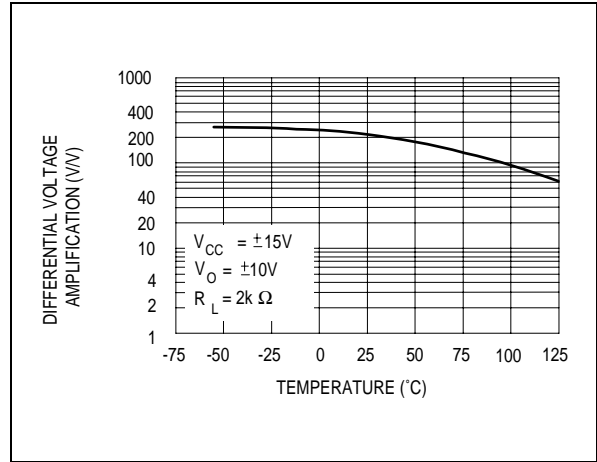
**MAXIMUM PEAK-TO-PEAK OUTPUT VOLTAGE versus SUPPLY VOLTAGE**



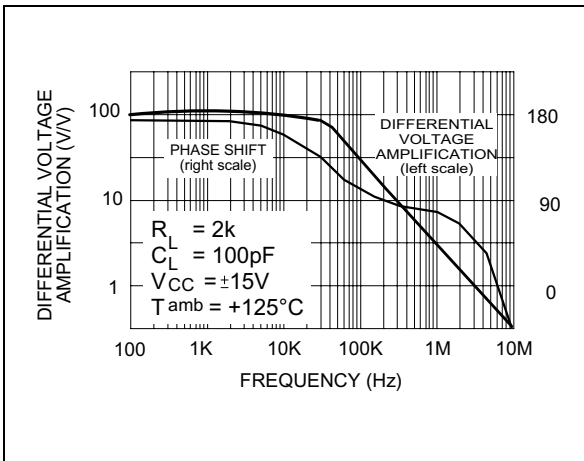
**INPUT BIAS CURRENT versus FREE AIR TEMPERATURE**



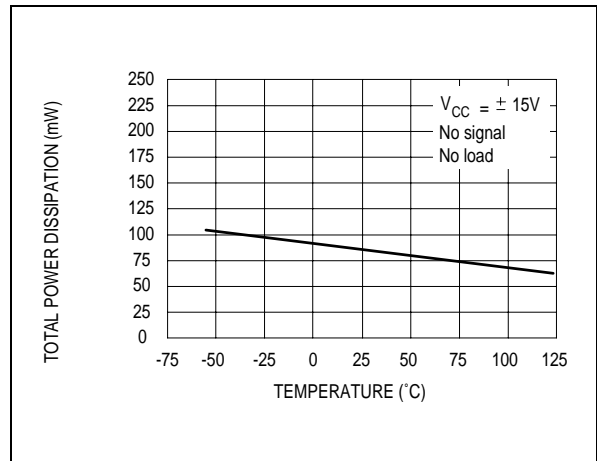
**LARGE SIGNAL DIFFERENTIAL VOLTAGE AMPLIFICATION versus FREE AIR TEMP.**



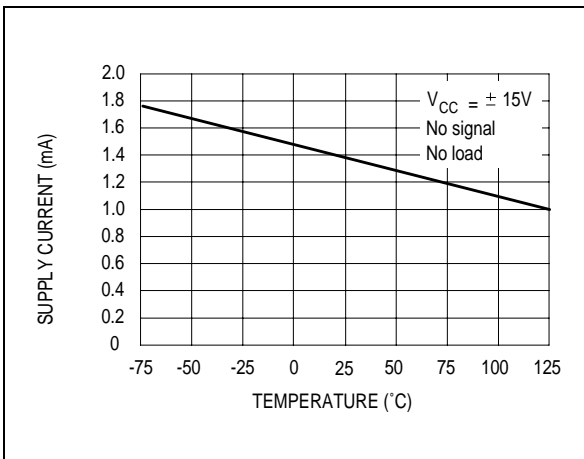
**LARGE SIGNAL DIFFERENTIAL VOLTAGE AMPLIFICATION AND PHASE SHIFT versus FREQUENCY**



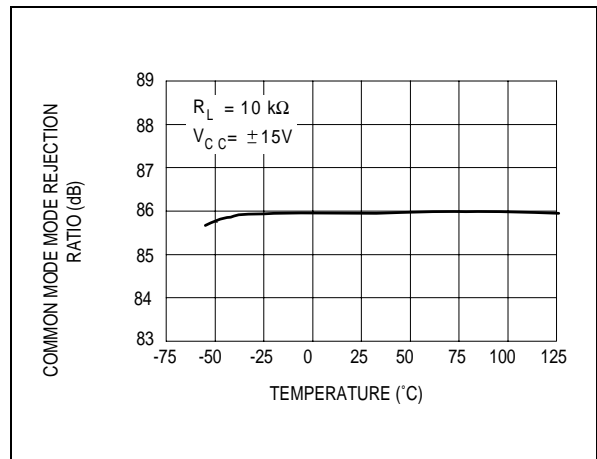
**TOTAL POWER DISSIPATION versus FREE AIR TEMPERATURE**



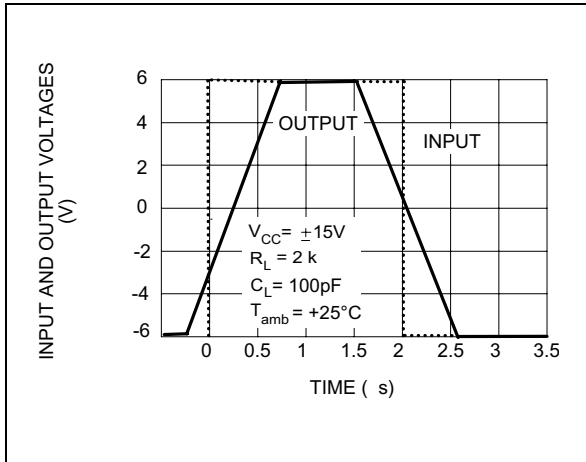
**SUPPLY CURRENT PER AMPLIFIER versus FREE AIR TEMPERATURE**



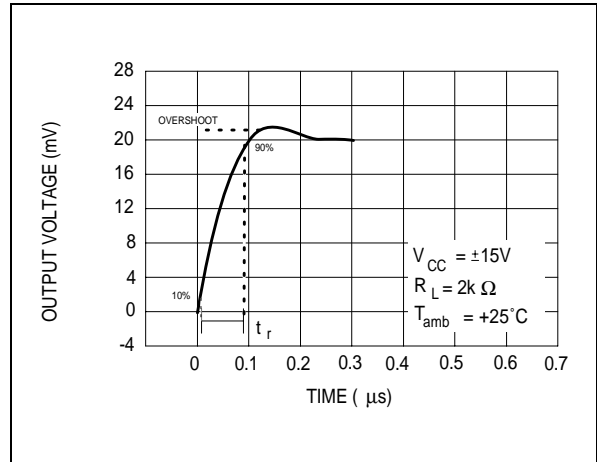
**COMMON MODE REJECTION RATIO versus FREE AIR TEMPERATURE**



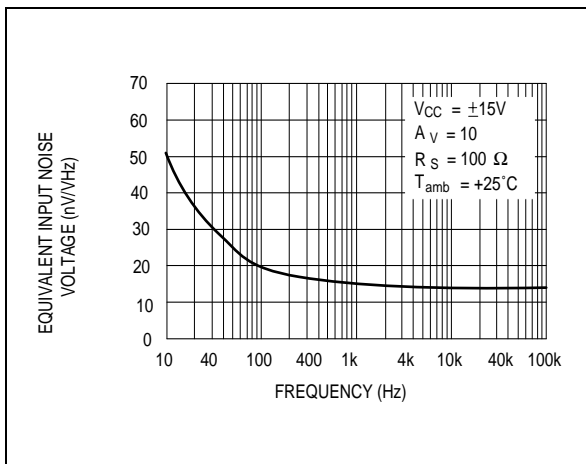
**VOLTAGE FOLLOWER LARGE SIGNAL PULSE RESPONSE**



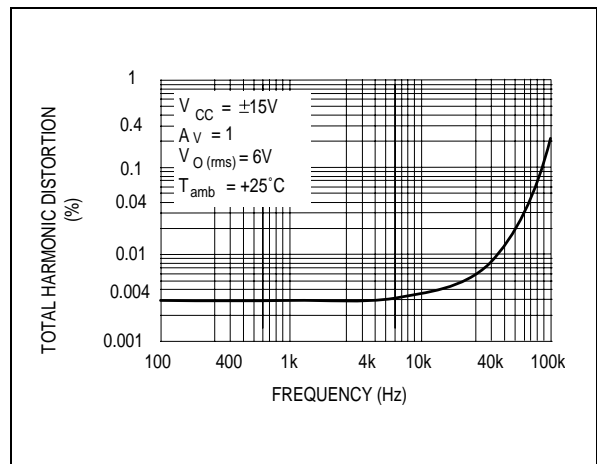
**OUTPUT VOLTAGE versus ELAPSED TIME**



**EQUIVALENT INPUT NOISE VOLTAGE versus FREQUENCY**



**TOTAL HARMONIC DISTORTION versus FREQUENCY**



PARAMETER MEASUREMENT INFORMATION

Figure 1 : Voltage Follower

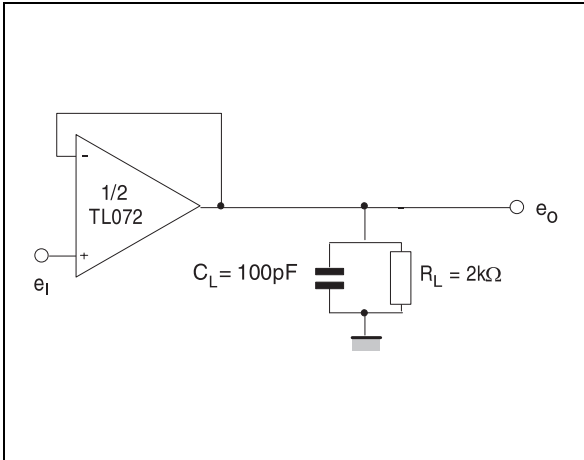
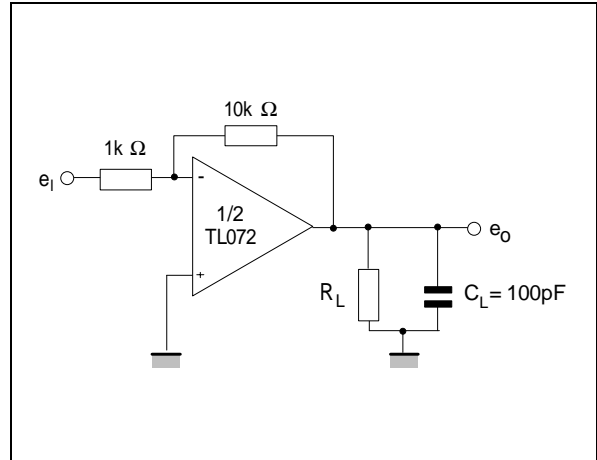
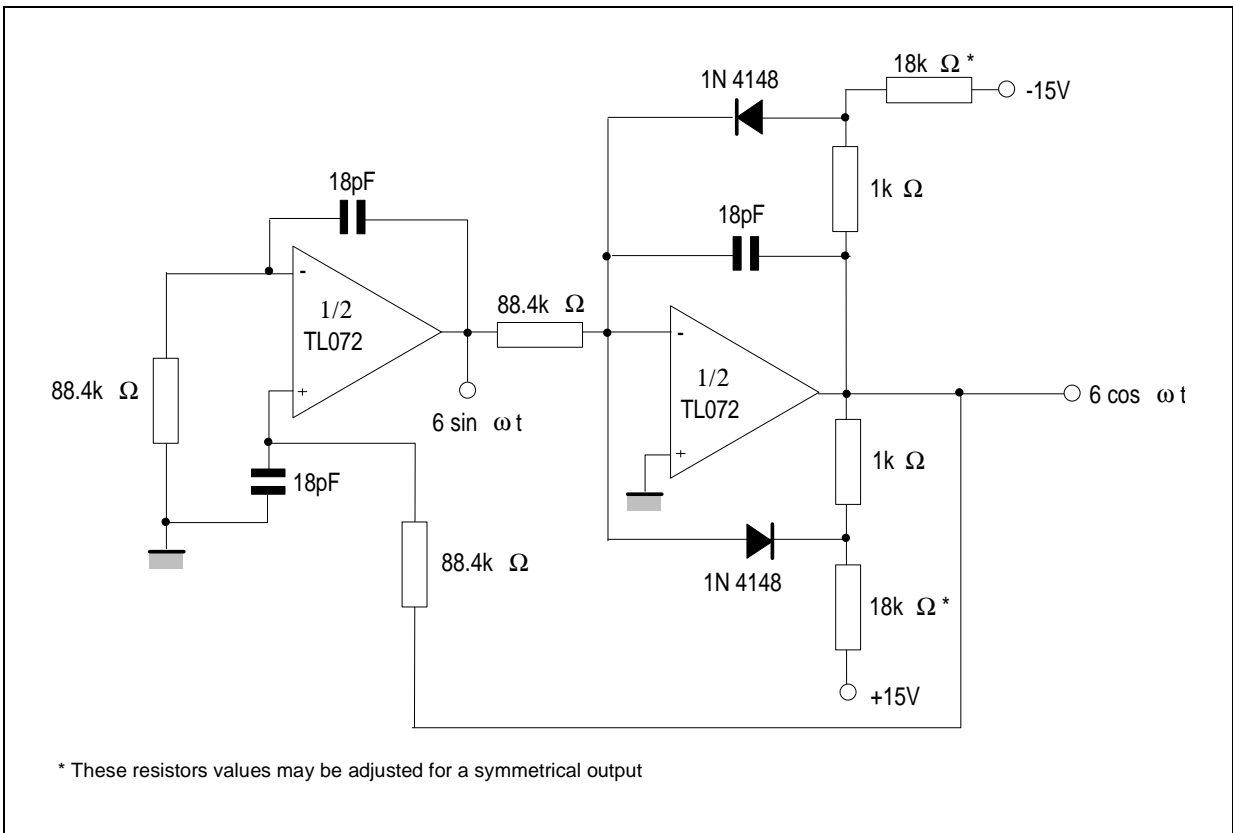


Figure 2 : Gain-of-10 Inverting Amplifier



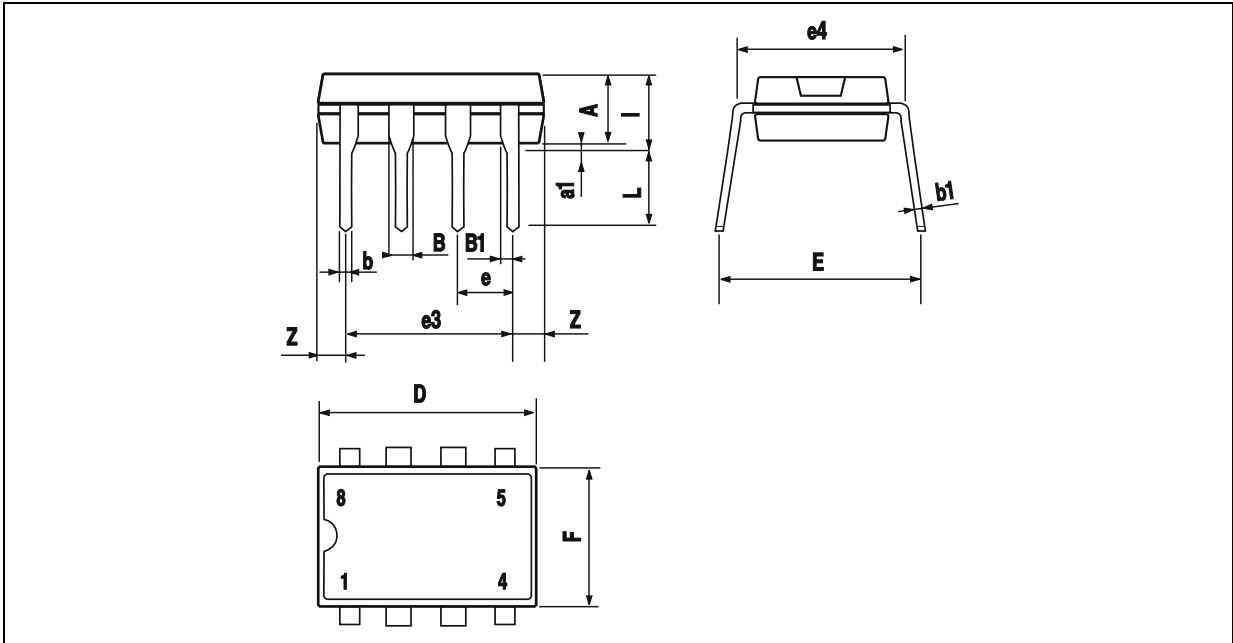
TYPICAL APPLICATIONS

100KHZ QUADRUPLE OSCILLATOR



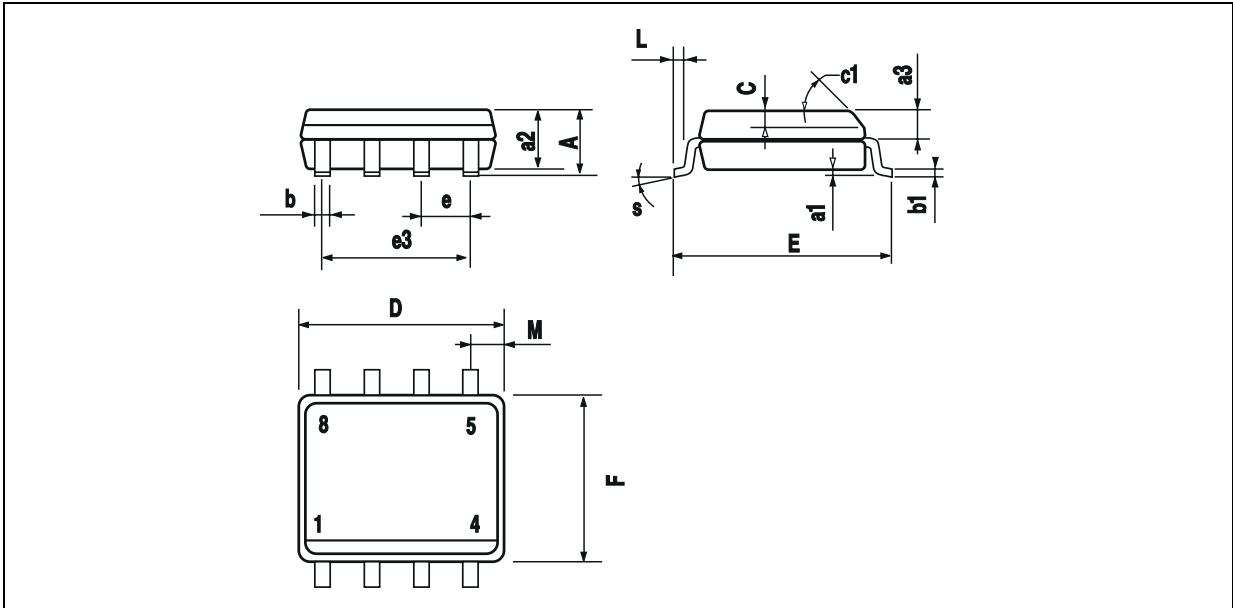


**PACKAGE MECHANICAL DATA**  
8 PINS - PLASTIC DIP



Dim.	Millimeters			Inches		
	Min.	Typ.	Max.	Min.	Typ.	Max.
A		3.32			0.131	
a1	0.51			0.020		
B	1.15		1.65	0.045		0.065
b	0.356		0.55	0.014		0.022
b1	0.204		0.304	0.008		0.012
D			10.92			0.430
E	7.95		9.75	0.313		0.384
e		2.54			0.100	
e3		7.62			0.300	
e4		7.62			0.300	
F			6.6			0.260
i			5.08			0.200
L	3.18		3.81	0.125		0.150
Z			1.52			0.060

**PACKAGE MECHANICAL DATA**  
8 PINS - PLASTIC MICROPACKAGE (SO)



Dim.	Millimeters			Inches		
	Min.	Typ.	Max.	Min.	Typ.	Max.
A			1.75			0.069
a1	0.1		0.25	0.004		0.010
a2			1.65			0.065
a3	0.65		0.85	0.026		0.033
b	0.35		0.48	0.014		0.019
b1	0.19		0.25	0.007		0.010
C	0.25		0.5	0.010		0.020
c1	45° (typ.)					
D	4.8		5.0	0.189		0.197
E	5.8		6.2	0.228		0.244
e		1.27			0.050	
e3		3.81			0.150	
F	3.8		4.0	0.150		0.157
L	0.4		1.27	0.016		0.050
M			0.6			0.024
S	8° (max.)					

Information furnished is believed to be accurate and reliable. However, STMicroelectronics assumes no responsibility for the consequences of use of such information nor for any infringement of patents or other rights of third parties which may result from its use. No license is granted by implication or otherwise under any patent or patent rights of STMicroelectronics. Specifications mentioned in this publication are subject to change without notice. This publication supersedes and replaces all information previously supplied. STMicroelectronics products are not authorized for use as critical components in life support devices or systems without express written approval of STMicroelectronics.

© The ST logo is a registered trademark of STMicroelectronics

© 2001 STMicroelectronics - Printed in Italy - All Rights Reserved  
**STMicroelectronics GROUP OF COMPANIES**

Australia - Brazil - China - Finland - France - Germany - Hong Kong - India - Italy - Japan - Malaysia - Malta - Morocco  
Singapore - Spain - Sweden - Switzerland - United Kingdom

© <http://www.st.com>