

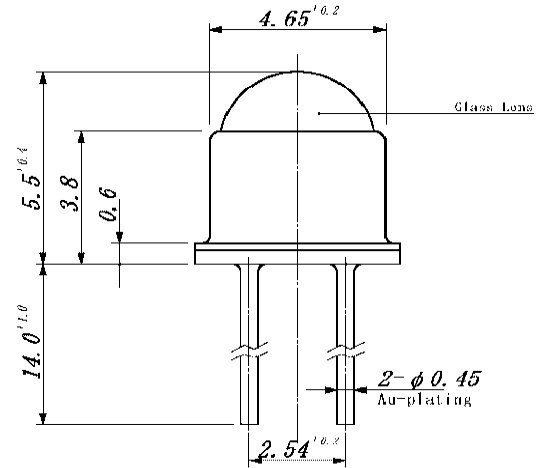
MT5260M-UG

Features

High Reliability
High Output Power
Narrow Beam Angle

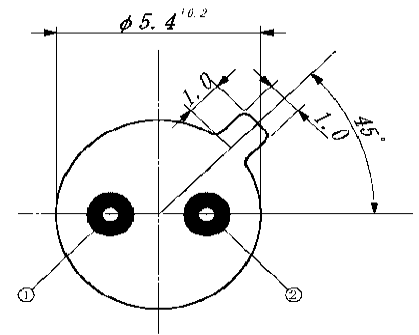
Applications

Bar Code Reader
Paper Sensor
Color Sensor



Maximum Ratings (Ta=25°C)

Characteristic	Symbol	Max.	Test Condition	Unit
Forward Current	I _F	30	-	mA
Pulsed Forward Current	I _{FP}	.30	tw=10μs, T=10ms	A
Reverse Voltage	V _R	5	-	V
Power Dissipation	P _D	120.00	-	mW
Operating Temperature	T _{opr}	-20~+85	-	°C
Storage Temperature	T _{stg}	-30~+100	-	°C
Junction Temperature	T _j	100	-	°C
Soldering Temperature	T _{sol}	260	for 5 sec. max	°C



① Cathode

② Anode

Opto-Electrical Characteristics (Ta=25°C)

Characteristic	Symbol	Test Condition	Min	Typ	Max	Unit
Forward Voltage	V _F	I _F =20mA	-	3.50	4.00	V
Reverse Current	I _R	V _R =5V	-	-	100	μA
Power Output	PO	I _F =20mA	-	1.10	-	mW
Half Intensity Beam Angle	θ	-	-	± 11°	-	deg.
Peak Wavelength	λ _p	I _F =20mA	-	500	-	nm
Dominant Wavelength	λ _d	I _F =20mA	-	505	-	nm
Spectral Line Half Width	Δλ	I _F =20mA	-	35	-	nm

MT5260M-UG Graphs

