

# Monolithic crystal filter

## MQF 90.0-2500/08



### Application

- 4 pol filter
- i.f.- filter
- use in mobile and stationary transceivers

### Limiting values

		Unit	Value
Nominal frequency	$f_0$	MHz	90.0
Insertion loss		dB	< 6.0
Pass band at 3.0dB		kHz	$\pm 10.0 \dots 15.0$
Ripple in pass band	$f_0 \pm 5.0$ kHz	dB	< 1.0
Stop band attenuation	$f_0 \pm 25$ kHz	dB	> 19
	$f_0 \pm 50$ kHz	dB	> 34
Alternate attenuation	$f_0 + 0.5 \dots 1$ MHz	dB	> 70
	$f_0 - 0.3 \dots 1$ MHz	dB	> 70
Group delay distortion	$f_0 \pm 9$ kHz	$\mu s$	< 14

### Terminating impedance Z

R1  C1	Ohm/pF	250  4.0
R2  C2	Ohm/pF	250  4.0
Coupling capacitance Ck	pF	11.5

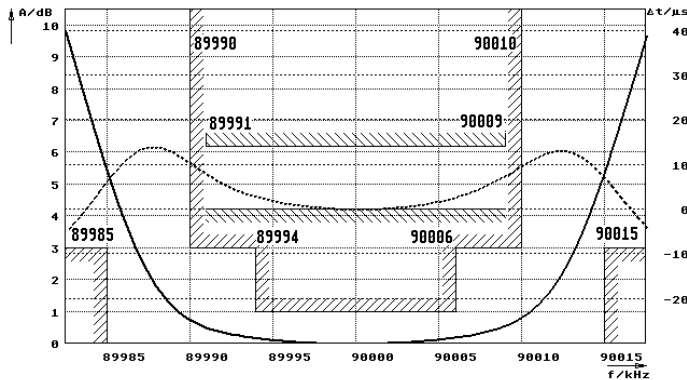
### Operating temp. range

Storage temp. range  
Environment conditions

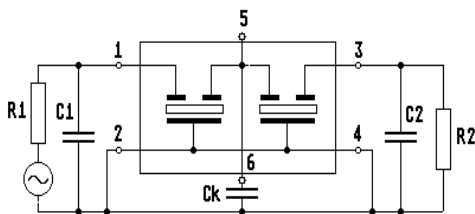
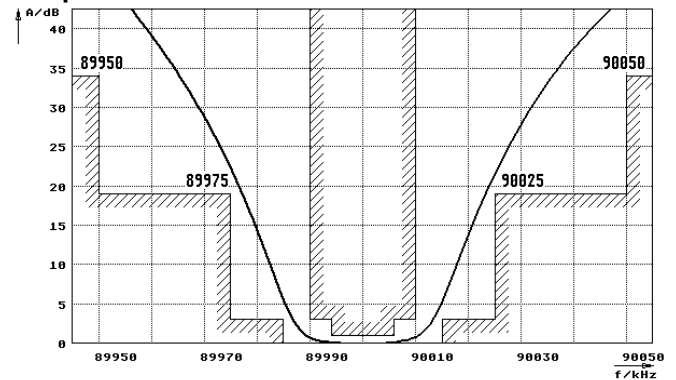
°C	-20... +55
°C	-45... +85
	according to CF001

### Characteristics MQF 90.0-2500/08

#### Pass band



#### Stop band



- Pin connections:
- 1 Input
  - 3 Output
  - 2,4 GND
  - 5,6 Coupling capacitance

