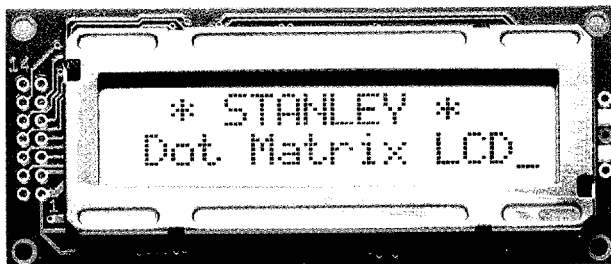
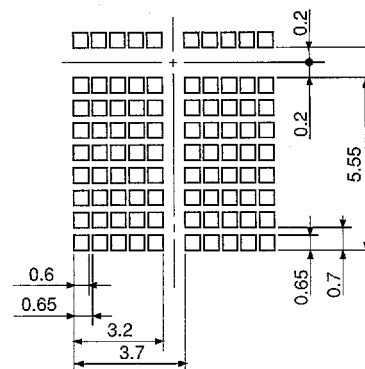


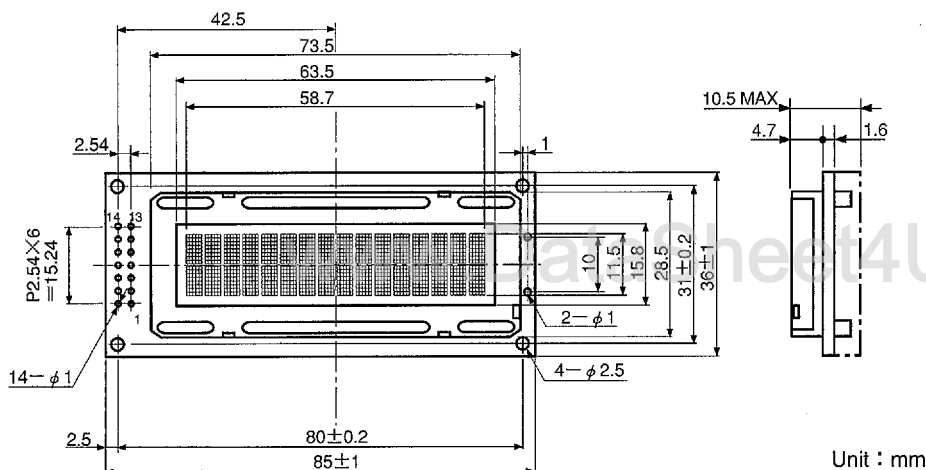
GMD1620A 16 Characters × 2 Lines 1/16 Duty



● Display Pattern



● Module Dimensions (Reflective)

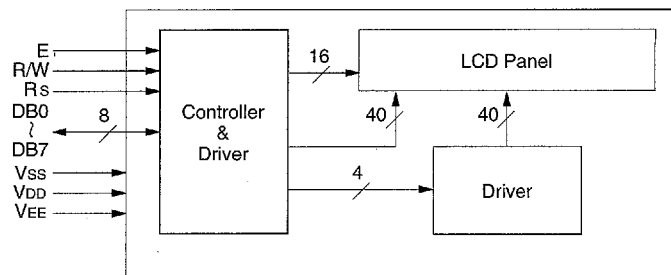


Unit : mm

● Interface Pin Functions

Pin No.	Symbol	Level	Function	
1	V _{SS}	—	Power supply voltage	0V (GND)
2	V _{DD}	—		+5V
3	V _{EE}	—		to drive LCD
4	R _s	H/L	Register Selection Signal H : Data Register L : Instruction Register	
5	R/W	H/L	H : Data Read (MPU←LCD) L : Data Write (MPU→LCD)	
6	E	H/L	Operation start signal for data read/write	
7	DB0	H/L	Data Bus (lower order 4 lines)	
8	DB1	H/L		
9	DB2	H/L		
10	DB3	H/L		
11	DB4	H/L	Data Bus (higher order 4 lines)	
12	DB5	H/L		
13	DB6	H/L		
14	DB7	H/L		
*15	A(LED+)	—	Power Supply Voltage	Supply Voltage for LED Backlighting
*16	K(LED-)	—		0V(GND)

● Block Diagram



● DD RAM Address

	1	2	3	4	5	6	7	8	9	10	11	12	13	14	15	16
Line 1	00	01	02	03	04	05	06	07	08	09	0A	0B	0C	0D	0E	0F
Line 2	40	41	42	43	44	45	46	47	48	49	4A	4B	4C	4D	4E	4F