

BLF052MGC-12V-P MEGA GREEN

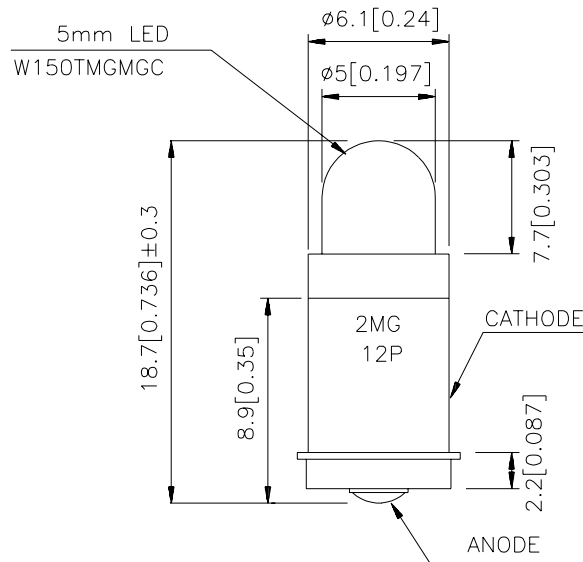
Features

- BUILT-IN CURRENT LIMITING RESISTOR FOR DIRECT APPLICATION OF DIFFERENT ACROSS CURRENT.
- LONG LIFE.
- LOW CURRENT, POWER SAVINGS.
- LOW MAINTENANCE.
- DIFFERENT COLOR AVAILABLE.
- SOLID STATE, HIGH VIBRATION RESISTANT.
- 12V INTERNAL RESISTOR.

Description

The Mega Green source color devices are made with DH InGaAlP on GaAs substrate Light Emitting Diode.

Package Dimensions



Notes:

1. All dimensions are in millimeters (inches).
2. Tolerance is $\pm 0.25 (0.01")$ unless otherwise noted.
3. Specifications are subject to change without notice.

Selection Guide

Part No.	Dice	Lens Type	Iv (mcd) V=12V		Viewing Angle
			Min.	Typ.	2θ1/2
BLF052MGC-12V-P	MEGA GREEN (InGaAlP)	WATER CLEAR	110	300	45°

Note:

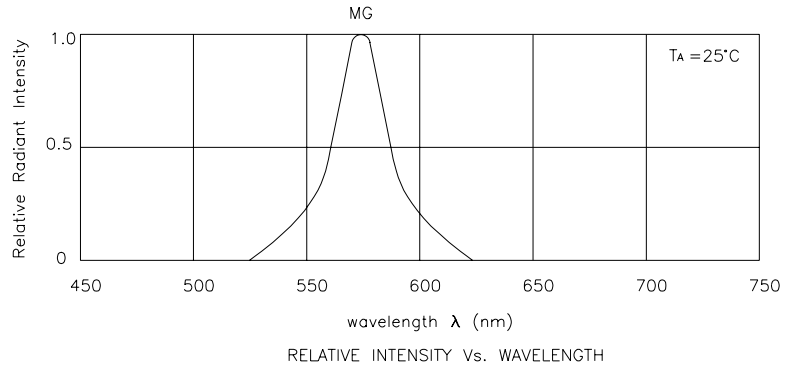
1. θ1/2 is the angle from optical centerline where the luminous intensity is 1/2 the optical centerline value.

Electrical / Optical Characteristics at T_A=25°C

Symbol	Parameter	Device	Typ.	Max.	Units	Test Conditions
λ _{peak}	Peak Wavelength	Mega Green	574		nm	V _F =12V
λ _D	Dominate Wavelength	Mega Green	568		nm	V _F =12V
Δλ 1/2	Spectral Line Half-width	Mega Green	26		nm	V _F =12V
I _F	Forward Current	Mega Green	21		mA	V _F =12V
I _R	Reverse Current	Mega Green		10	uA	V _R = 5V

Absolute Maximum Ratings at T_A=25°C

Parameter	Mega Green	Units
Power dissipation	310	mW
Forward Voltage	14	V
Reverse Voltage	5	V
Operating Temperature	-40 °C To + 70 °C	
Storage Temperature	-40 °C To + 85 °C	



Mega Green BLF052MGC-12V-P

