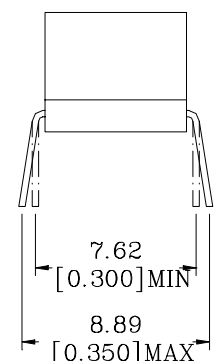
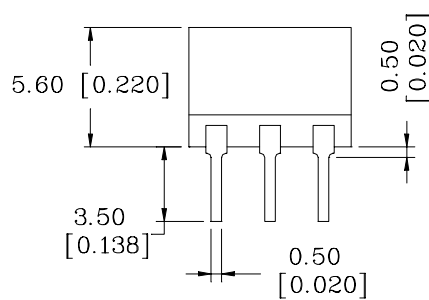
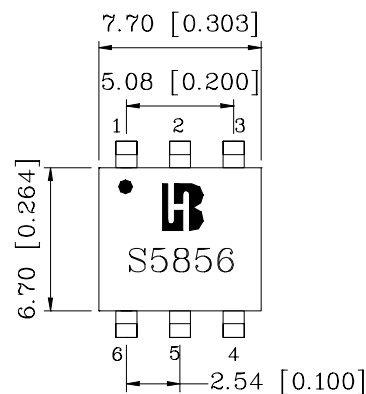
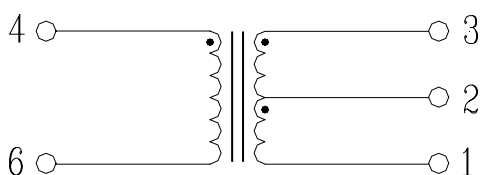


**P/N: S5856 DATA SHEET****Feature**

- Fast rise time compatible with standards.
- Surface mount packages available.
- Operating temperature range: 0°C to +70°C.
- Storage temperature range: -25°C to +125°C.

Electrical Specifications @ 25°C

Part Number	Turns Ratio (±2%)	OCL (uH Min)	L.L (uH Max)	C _{ww} (pF Max)	Bandwidth with 75 Ω system (Typ)	PRI Pins	HI-POT (Vrms)
S5856	1:1.73CT	50	0.10	12	0.06-300MHz	4-6	1500

Schematic**Mechanical**

Units: mm[Inches] Tolerances: xx.x0±0.25[0.010]
0.xx±0.05[0.002]