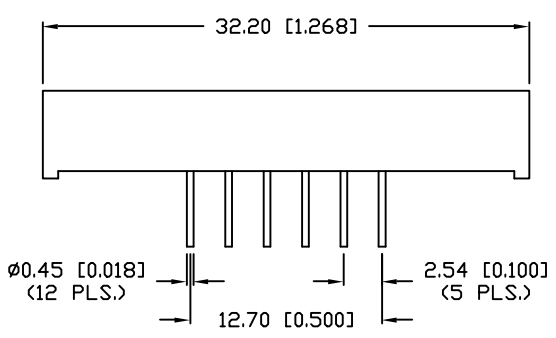
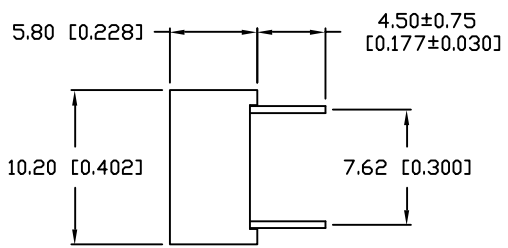
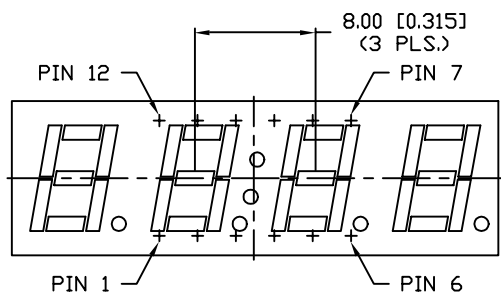


UNCONTROLLED DOCUMENT

(LX)

PART NUMBER  
LDQ

REV.	E.C.N. NUMBER
A	E.C.N. #10293./
B	E.C.N. #10337./
C	E.C.N. #10387 &



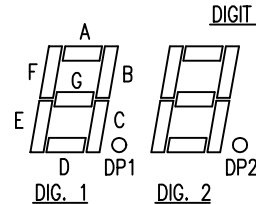
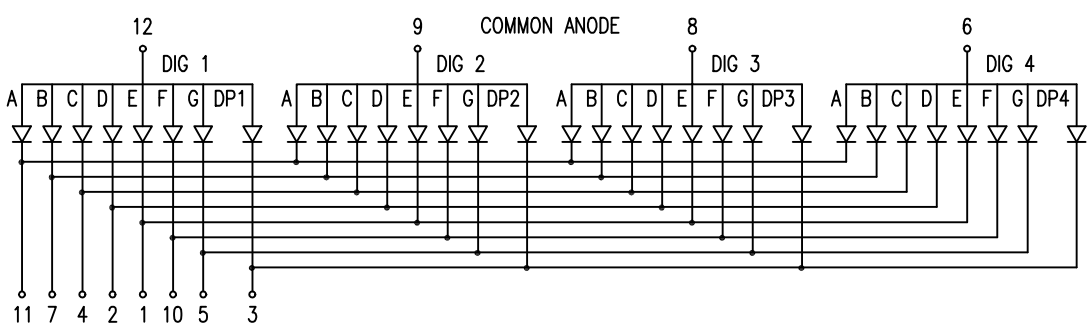
ELECTRO-OPTICAL CHARACTERISTICS

PARAMETER	MIN
PEAK WAVELENGTH	56
FORWARD VOLTAGE	
REVERSE VOLTAGE	5.0
AXIAL INTENSITY	
EMITTED COLOR:	GREEN
FACE COLOR:	GRAY
SEGMENT COLOR:	MILKY WHITE

LIMITS OF SAFE OPERATION AT 25°C

PARAMETER	MIN
PEAK FORWARD CURRENT*	
STEADY CURRENT	
POWER DISSIPATION	
DERATE FROM 25°C	
OPERATING, STORAGE TEMP.	
SOLDERING TEMP.	
2.0mm FROM BODY	

\*  $t < 10\mu s$



UNCONTROLLED DOCUMENT  
\*UNLESS OTHERWISE SPECIFIED

REV. C	PART NUMBER LDQ-M282RI
0.28" FOUR DIGIT, SEVEN SEGMENT DISPLAY, GREEN, GRAY FACE WITH MILKY WHITE DIFFUSED SEGMENTS.	

**CONFIDENTIAL INFORMATION**  
THE INFORMATION CONTAINED IN THIS DOCUMENT IS THE PROPERTY OF LUMEX INC. EXCEPT AS SPECIFICALLY AUTHORIZED IN WRITING BY LUMEX INC., THE HOLDER OF THIS DOCUMENT SHALL KEEP ALL INFORMATION CONTAINED HEREIN CONFIDENTIAL AND SHALL PROTECT SAME IN WHOLE OR IN PART FROM DISCLOSURE AND DISSEMINATION TO ALL THIRD PARTIES.

**RELIABILITY NOTE**  
OUR MANY YEARS OF EXPERIENCE DATA ACCUMULATION INDICATE THAT SOLDER HEAT IS A MAJOR CAUSE OF EARLY AND FUTURE FAILURE. PLEASE PAY ATTENTION TO YOUR SOLDERING PROCESS.

<b>LUMEX INCORPORATED</b>	
DRAWN BY: BC	CHECKED: