

FEATURES

- Halts and restarts an out-of-control microprocessor
- Holds microprocessor in check during power transients
- Automatically restarts microprocessor after power failure
- Monitors pushbutton for external override
- Accurate 5%, 10% or 20% (3 volt only) Microprocessor power monitoring
- Eliminates the need for discrete components
- 20% tolerance for use with 3.0 volt systems
- Pin and function compatible with the MAX823/24/25 products
- Low cost SOT–23–5 package
- Industrial temperature –40°C to +85°C

DEVICE	RST	RST	PBRST	WD
DS181xA	X		X	X
DS181xB	X	X		X
DS181xC	X	X	X	

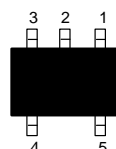
X = '4' for 5 volt devices

X = '9' for 3 volt devices

DESCRIPTION

The DS1814 5 volt EconoMonitor and the DS1819 3.3 volt EconoMonitor monitors three vital conditions for a microprocessor: power supply, software execution, and external override. First, a precision temperature compensated reference and comparator circuit monitors the status of V_{CC} . When an out-of-tolerance condition occurs, an internal power fail signal is generated which forces the reset(s) to an active state. When V_{CC} returns to an in-tolerance condition, the reset signal is kept in the active state for a minimum of 140 ms to allow the power supply and processor to stabilize.

PIN ASSIGNMENT



SOT–23–5 PACKAGE
See Mech. Drawing

PIN DESCRIPTION

DS181xA
 1 $\overline{\text{RST}}$ Active Low Reset Output
 2 GND Ground
 3 $\overline{\text{PBRST}}$ Pushbutton Reset Input
 4 $\overline{\text{ST}}$ Strobe Input
 5 VCC Power Supply

DS181xB
 1 $\overline{\text{RST}}$ Active Low Reset Output
 2 GND Ground
 3 RST Active High Reset Output
 4 $\overline{\text{ST}}$ Strobe Input
 5 VCC Power Supply

DS181xC
 1 $\overline{\text{RST}}$ Active Low Reset Output
 2 GND Ground
 3 RST Active High Reset Output
 4 $\overline{\text{PBRST}}$ Pushbutton Reset Input
 5 VCC Power Supply

The DS1814/DS1819 'A' and 'C' perform pushbutton reset control. They debounce the pushbutton input and generate an active reset pulse width of 140 ms minimum. The DS1814/9 'A' and 'B' versions perform a watchdog function. The watchdog is an internal timer that forces the reset signals to the active state if the strobe input does not change state every 1.12 seconds. The watchdog timer function can be disabled by leaving the watchdog strobe input unconnected.

OPERATION

Power Monitor

The DS1814 detects out-of-tolerance power supply conditions and warns a processor-based system of impending power failure. When V_{CC} falls below a Pre-set level, a comparator outputs the signal \overline{RST} (or RST). \overline{RST} (or RST) are excellent control signals for a micro-processor, as processing is stopped at the last possible moment of valid V_{CC} . On power-up, \overline{RST} (or RST) are kept active for a minimum of 140 ms to allow the power supply and processor to stabilize.

Pushbutton Reset

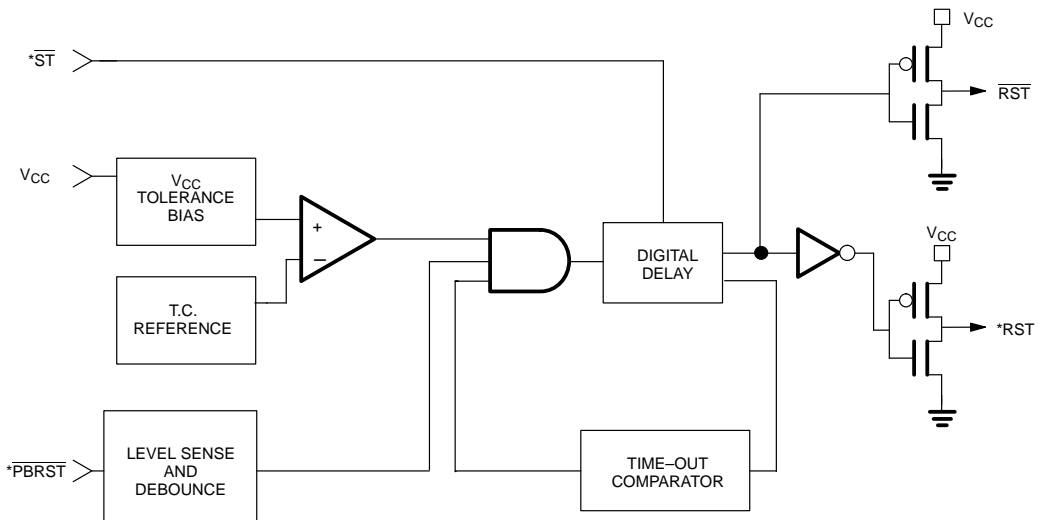
The DS1814 'A' and 'C' provides an input pin for direct connection to a pushbutton reset (see Figure 2). The pushbutton reset input requires an active low signal. Internally, this input is debounced and timed such that a \overline{RST} (or RST) signal of at least 140 ms minimum will be generated. The 140 ms delay commences as the pushbutton reset input is released from the low level (see Figure 3).

Watchdog Timer

The DS1814/DS1819 'A' and 'B' versions watchdog timer function forces \overline{RST} (and RST) signal(s) active when the \overline{ST} input is not clocked within the 1.12 second watchdog timeout period. Timeout of the watchdog starts when \overline{RST} (and RST) become(s) inactive. If a transition occurs on the \overline{ST} input pin prior to time-out, the watchdog timer is reset and begins to time-out again. If the watchdog timer is allowed to time out, then the reset output(s) will go active for 140 ms. The watchdog can be disabled by floating (or tri-stating) the \overline{ST} input.

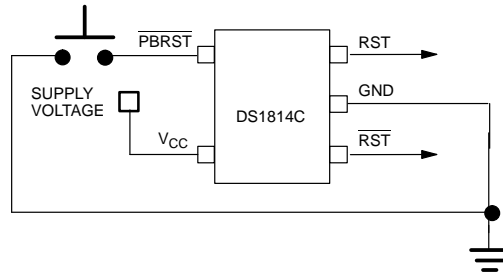
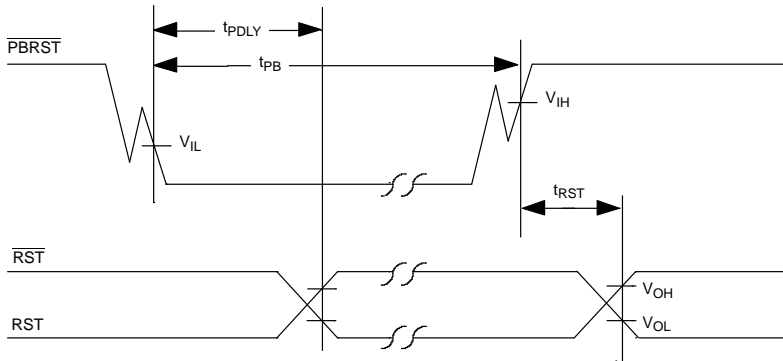
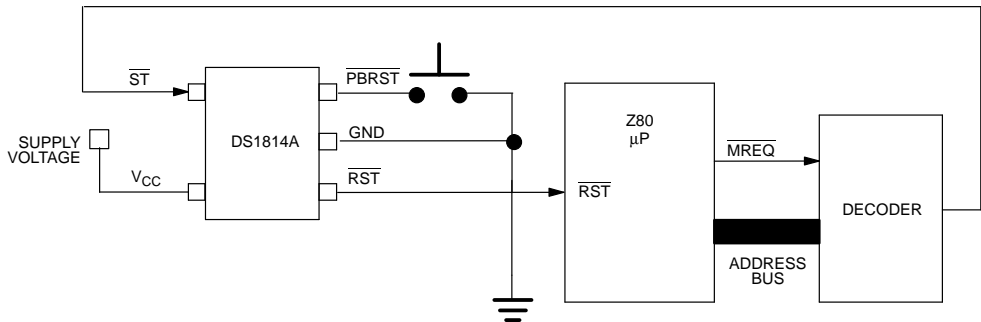
The \overline{ST} input can be derived from many microprocessor outputs. The most typical signals used are the micro-processor data I/O signals and control signals. When the microprocessor functions normally, these signals would, as a matter of routine, cause the watchdog to be reset prior to time-out. To guarantee that the watchdog timer does not time-out, a transition must occur at or less than 1.12 seconds. A typical circuit example is shown in Figure 4. The DS1814/19 watchdog function can be disabled at any time by tri-starting the strobe input. A sample circuit to disable the watchdog is shown in Figure 6.

ECONOMONITOR BLOCK DIAGRAM Figure 1

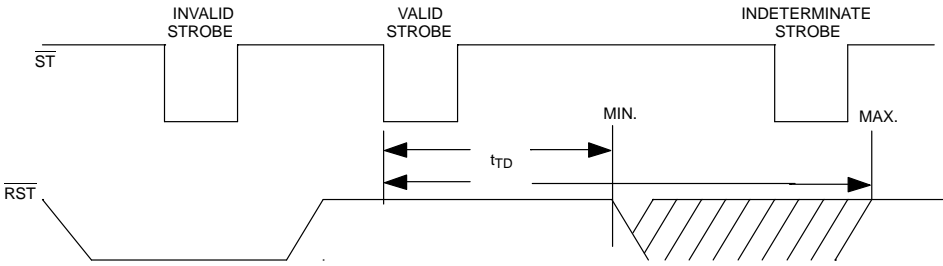


*Notes:

\overline{ST} available on 'A' and 'B' versions
 PBRST available on 'A' and 'C' versions
 RST available on 'B' and 'C' versions

PUSHBUTTON RESET Figure 2**TIMING DIAGRAM: PUSHBUTTON RESET** Figure 3**WATCHDOG TIMER** Figure 4

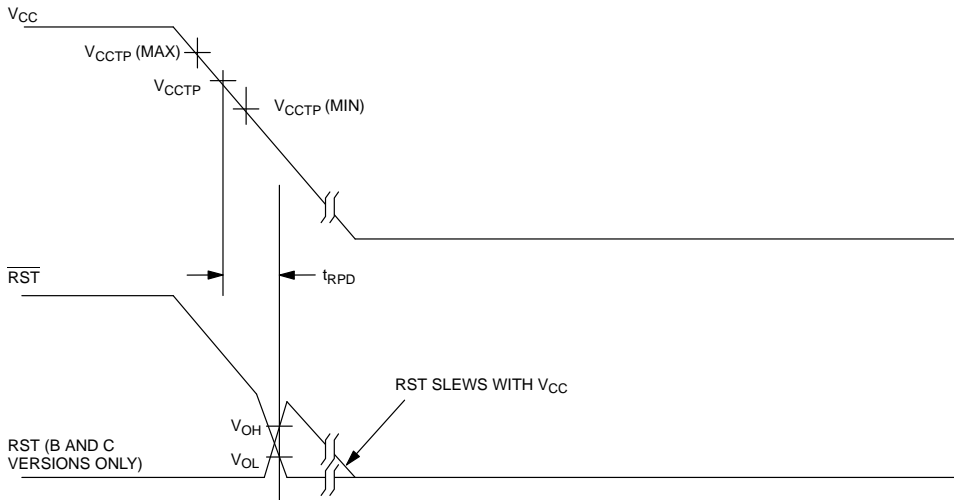
TIMING DIAGRAM: STROBE INPUT Figure 5

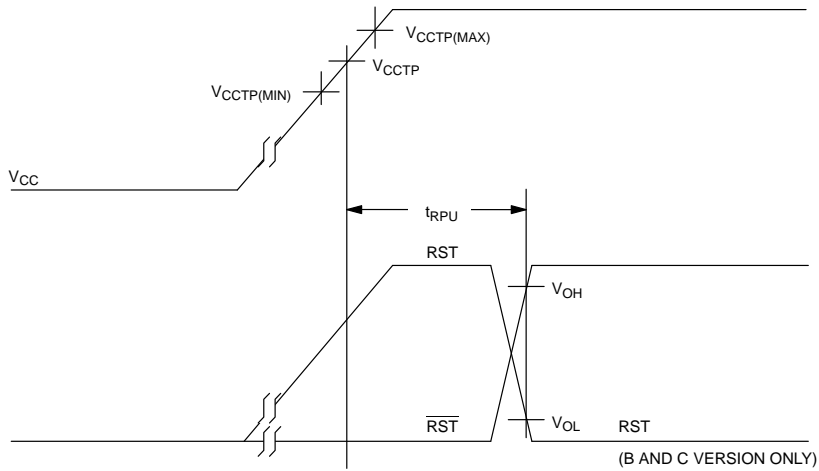
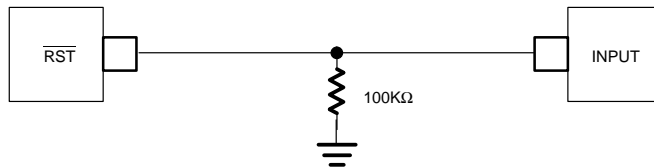


WATCHDOG DISABLE CIRCUIT Figure 6



TIMING DIAGRAM-POWER DOWN Figure 7



TIMING DIAGRAM: POWER-UP Figure 8 **\overline{RST} VALID TO 0 VOLTS V_{CC}** Figure 9**OUTPUT VALID CONDITIONS**

The \overline{RST} output uses a push-pull output which can maintain a valid output down to 1.0 volts V_{CC} . To sink current below 1.0 volts a resistor can be connected from \overline{RST} to Ground (see Figure 9.) This arrangement will

maintain a valid value on \overline{RST} during both power-up and down but will draw current when \overline{RST} is in the high state. A value of about $100K\Omega$ should be adequate in most situations. The output with a resistor pull-down can maintain a valid reset down to V_{CC} equal to 0V.

ABSOLUTE MAXIMUM RATINGS*

Voltage on V_{CC} Pin Relative to Ground	-0.5V to +7.0V
Voltage on I/O Relative to Ground	-0.5V to $V_{CC} + 0.5V$
Operating Temperature	-40°C to +85°C
Storage Temperature	-55°C to +125°C
Soldering Temperature	260°C for 10 seconds

* This is a stress rating only and functional operation of the device at these or any other conditions above those indicated in the operation sections of this specification is not implied. Exposure to absolute maximum rating conditions for extended periods of time may affect reliability.

RECOMMENDED DC OPERATING CONDITIONS

(-40°C to +85°C)

PARAMETER	SYMBOL	MIN	TYP	MAX	UNITS	NOTES
Supply Voltage	V_{CC}	1.0		5.5	V	1
\overline{ST} and \overline{PBRST} Input High Level	V_{IH}	$0.8 V_{CC}$			V	1
\overline{ST} and \overline{PBRST} Input Low Level	V_{IL}			$0.3 V_{CC}$	V	1

DC ELECTRICAL CHARACTERISTICS(-40°C to +85°C; $V_{CC}=1.2V$ to 5.5V)

PARAMETER	SYMBOL	MIN	TYP	MAX	UNITS	NOTES
V_{CC} Trip Point DS1814-5	V_{CCTP}	4.50		4.75	V	1
V_{CC} Trip Point DS1814-10	V_{CCTP}	4.25		4.50	V	1
V_{CC} Trip Point DS1819-5	V_{CCTP}	3.00		3.15	V	1
V_{CC} Trip Point DS1819-10	V_{CCTP}	2.85		3.00	V	1
V_{CC} Trip Point DS1819-20	V_{CCTP}	2.55		2.70	V	1
Reset Trip Point Hysteresis (DS1814)	V_{RH}		10		mV	
Reset Trip Point Hysteresis (DS1819)	V_{RH}		5		mV	
Output Current @ 2.4V	I_{OH}		350		μA	3
Output Current @ 0.4V	I_{OL}	3.2	6		mA	3
Output Voltage @ -30 μA	V_{OH}	$V_{CC} \cdot 0.8$	$V_{CC} \cdot 0.9$		V	3
Operating Current DS1814	I_{CC}		10	15	μA	4
Operating Current DS1819	I_{CC}		8	12	μA	5
\overline{ST} Input Current $\overline{ST} = V_{CC}$, Time Averaged			120	160	μA	6
\overline{ST} Input Current $\overline{ST} = GND$, Time Averaged		-20	-15		μA	6

AC ELECTRICAL CHARACTERISTICS(-40°C to +85°C; $V_{CC}=1.2V$ to 5.5V)

PARAMETER	SYMBOL	MIN	TYP	MAX	UNITS	NOTES
$\overline{PBRST} = V_{IL}$	t_{PB}	1			μs	7
Reset Active Time	t_{RST}	140	200	280	ms	
\overline{ST} Pulse Width	t_{ST}	50			ns	8
Watchdog Timeout	t_{TD}	1.12	1.60	2.40	s	
V_{CC} Detect to RST and \overline{RST}	t_{RPD}		30	40	μs	9
V_{CC} Slew Rate (rising edge)			12.5		V/ μs	
V_{CC} Detect to RST and \overline{RST}	t_{RPU}	140	200	280	ms	
\overline{PBRST} Stable Low to RST and RST	t_{PDLY}		500		ns	

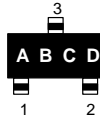
CAPACITANCE(t_A=25°C)

PARAMETER	SYMBOL	MIN	TYP	MAX	UNITS	NOTES
Input Capacitance	C_{IN}			5	pF	
Output Capacitance	C_{OUT}			7	pF	

NOTES:

- All voltages are referenced to ground.
- \overline{PBRST} is internally pulled up to V_{CC} with an internal impedance of 50K Ω typical.
- Measured with $V_{CC} \geq 2.7V$.
- Measured with outputs open, $V_{CC} \leq 5.5$ volts, and all inputs at V_{CC} or Ground, except the \overline{ST} input at <10KHz duty cycle–square wave or \overline{ST} input open.
- Measured with outputs open, $V_{CC} \leq 3.6$ volts, and all inputs at V_{CC} or Ground, except the \overline{ST} input at <10KHz duty cycle–square wave or \overline{ST} input open.
- The \overline{ST} input current is defined as the average input current when \overline{ST} is driven high or low. This input must be driven high or low by an output that can source or sink at least 200 μA when active.
- Noise immunity – pulses <100 ns at pushbutton input will not cause a reset.
- Must not exceed t_{TD} minimum.
- Noise immunity – pulses <2 μs at V_{CCTP} minimum will not cause a reset and $V_{CCTP}-V_{CC}=100$ mV.

PART MARKING CODES



SOT-23-5 PACKAGE

“A”, “B” and “C” represents the Device Type.

“D” represents the Device Tolerance.

14A – DS1814A
14B – DS1814B
14C – DS1814C
19A – DS1819A
19B – DS1819B
19D – DS1819C

A – 5%
B – 10%
C – 20%