

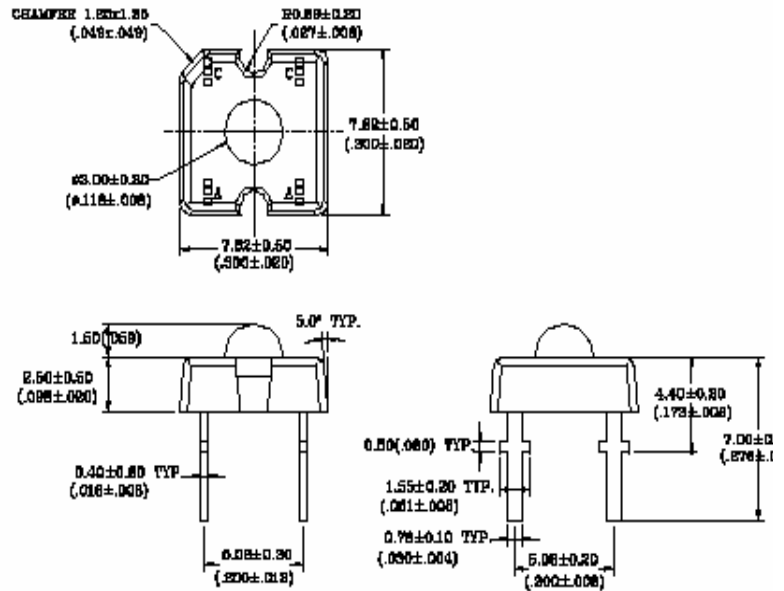
# SUPER FLUX LED

## BTF-37BLCS-XX-X

### Product Features

- Ultra Bright Blue Color
- High Light Output
- 3mm Super Flux Package
- Water Clear Lens
- Highly Reliable
- IC Compatible
- Leads with Stand Off

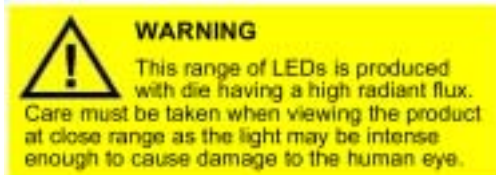
### Package Dimension



Tolerance: ±  $\frac{\text{inch}}{\text{mm}}$  Unit: ±  $\frac{0.01}{0.25}$

### Applications

- Outdoor Sign Board
- Automotive
- Front Panel Indicator
- Special Lighting
- General Purpose LEDs



**Note:** Industry standard procedures regarding static must be observed when handling this product.

### Optical and Electrical Characteristics at $T_a=25$

Parameter	Symbol	Minimum	Typical	Maximum	Units	Conditions
Luminous Intensity	$I_v$	1800	2500	-	mcd	$I_F = 20\text{mA}$ (Note 1)
Viewing Angle	$2\theta_{1/2}$	-	90	-	degree	$I_F = 20\text{mA}$
Peak Wavelength	$\lambda_P$	460	-	470	nm	$I_F = 20\text{mA}$ (Note 2)
DC Forward Voltage	$V_F$	-	3.5	4.0	V	$I_F = 20\text{mA}$
DC Reverse Current	$I_R$	0	-	10	$\mu\text{A}$	$V_R=5\text{V}$

#### Notes:

1. Light intensity measures the light sensing response standard using chromatic meter. Refer to the CIE eye-response curve set by International Lighting committee. Tolerance of minimum and maximum intensity =  $\pm 15\%$
2. Color coordinates range can be selected from the bin selection table. The parameters used fulfilled the 1932 2 standard
3. These products are sensitive to static electricity and care must be fully taken when handling products



## SUPER FLUX LED

### BTF-37BLCS-XX-X

Absolute Maximum Ratings at  $T_a=25$

Symbol	Parameter	Max.	Unit
$P_D$	Power Rating	80	mW
$V_R$	Reverse Voltage ( $I_R=10\mu A$ )	5	V
$I_F$	Continuous Forward Current	30	mA
$I_{PF}$	Peak Forward Current (0.1 duty cycle @ 1kHz)	100	mA
$T_{opr}$	Operating Temperature Range	-35 ~ + 80	
$T_{stg}$	Storage Temperature Range	-40 ~ + 100	
Lead Soldering Temperature [1.6mm (0.063inch) from body]		260	- max 5 seconds

Color and Brightness Selection

### BTF-37BLCS-XX-X

Color Bin Selection

Bin	Blue (nm)
<b>B5</b>	460~465
<b>B6</b>	465~470
<b>XX</b>	460~470

Brightness Bin Selection

Bin	Range(mcd)
<b>R</b>	1800~2500
<b>S</b>	2500~3500
<b>T</b>	3500~4900