

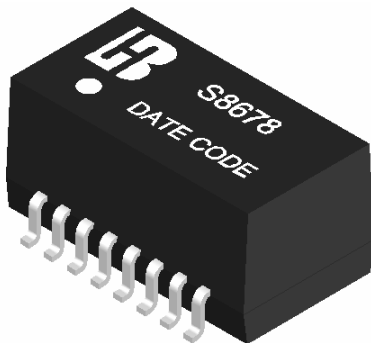


S8678

T1/E1/CEPT/ISDN-PRI TRANSFORMER

P/N:S8678 DATA SHEET

Feature



- Dual SMT package contains both transmit and receive transformers.
- Models matched to leading transceiver ICs.
- Patented interlock base construction for high reliability.
- Operation temperature range: 0°C to +70°C.
- Storage temperature range: -25 to +125 .

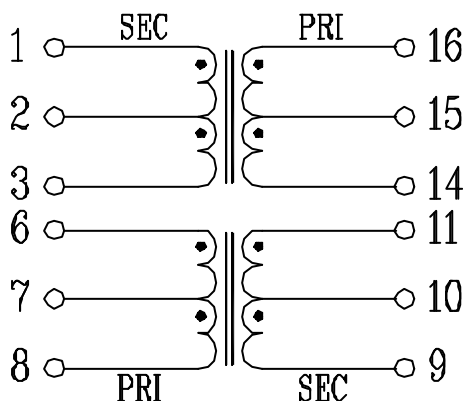
Electrical Specifications @ 25°C

Part Number	Turns Ratio ($\pm 5\%$)		OCL (mH) PRI	L.L (uH Max) @SEC Short	C _{ww} (pF Max) PRI/SEC
	(16-14): (1-3)	(6-8): (11-9)			
S8678	1CT:1CT	1CT:2CT	1.2	0.6	30

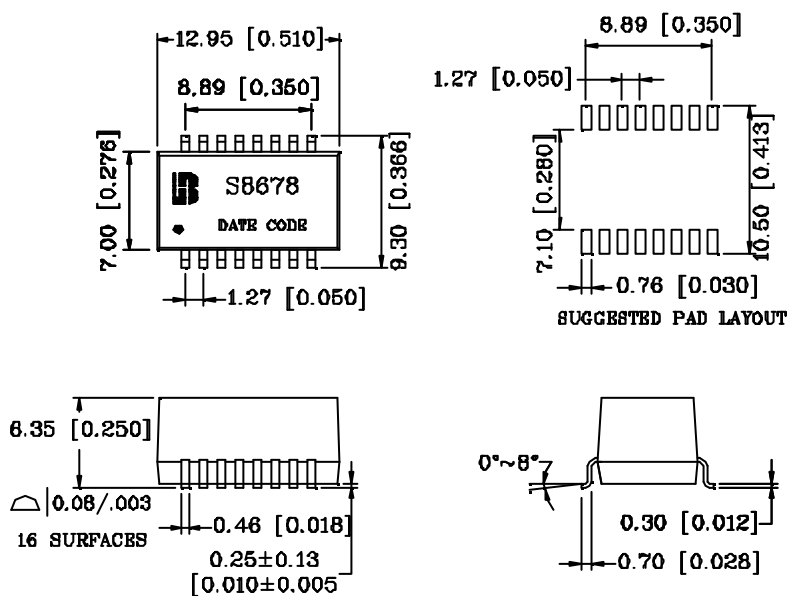
Continue

Part Number	DCR (max)				PRI pins	HI-POT (Vrms)
	16-14	6-8	1-3	11-9		
S8678	0.7				(16-14)& (6-8)	1500

Schematic



Mechanical



Units: mm [Inches] Tolerances: xx.x0±0.25 [0.010]
0.xx±0.05 [0.002]