

2.0 to 18.0 GHz Low-Noise Amplifiers

Model	Frequency Response (GHz)	Gain (dB)	Gain versus Temperature at any Frequency (\pm dB)	Noise Figure (dB)	Power Output for 1dB Compression (+dBm)	Gain Flatness vs Freq (\pm dB)	3rd Order Intercept Point (+dBm)	Input (1) DC current @ +12V (mA)		Case Type
	Min	Min	Max	Max	Min	Max	Typ	Typ	Max	
Standard Amplifiers with Guaranteed Specifications from -54°C to +90°C										
CMT-18-2002	2-18	16	0.50	10.0	15	1.5	21	420	475	SX4
CMT-18-2004	2-18	28	1.00	8.0	19	2.0	25	570	550	SX4
CMT-13-6003	6-13	22	1.00	7.0	18	1.0	27	200	230	SX4
CMT-13-6004	6-13	30	1.25	6.5	18	1.0	27	280	320	SX6
CMT-13-6005	6-13	38	1.50	6.5	18	1.5	27	300	345	SX6
CMT-18-6003	6-18	12	1.00	9.0	18	1.0	27	240	275	SX4
CMT-18-6004	6-18	18	1.25	9.0	18	1.5	27	290	335	SX6
CMT-18-6005	6-18	24	1.50	8.5	18	1.5	27	350	400	SX6
CMT-18-6006	6-18	29	1.75	8.0	18	2.0	27	410	470	SX8
CMT-18-6007	6-18	35	2.00	8.0	18	2.0	27	470	540	SX8
CMT-18-8005	8-18	24	1.50	8.5	18	1.5	27	350	400	SX6
CMT-18-8007	8-18	36	2.00	8.0	18	2.0	27	470	540	SX8

Standard Amplifiers with Guaranteed Specifications at +25°C										
CMA-18-2002	2-18	20	-	8.5	20	1.0	25	460	510	SX2
CMA-18-2004	2-18	34	-	7.0	20	1.5	25	560	620	SX4
CMA-13-6003	6-13	24	-	5.5	18	1.0	27	200	230	SX4
CMA-13-6004	6-13	34	-	5.5	18	1.0	27	280	320	SX6
CMA-13-6005	6-13	40	-	5.5	18	1.5	27	300	345	SX6
CMA-18-6003	6-18	15	-	7.5	18	1.0	27	240	275	SX4
CMA-18-6004	6-18	21	-	7.5	18	1.5	27	290	335	SX6
CMA-18-6005	6-18	27	-	7.5	18	1.5	27	350	400	SX6
CMA-18-6006	6-18	32	-	7.5	18	2.0	27	410	470	SX8
CMA-18-6007	6-18	38	-	7.5	18	2.0	27	470	540	SX8
CMA-18-8005	8-18	27	-	7.5	18	1.5	27	350	400	SX6
CMA-18-8007	8-18	39	-	7.5	18	2.0	27	470	540	SX8

NOTES:

1. All amplifiers incorporate a voltage regulator capable of working over a +12 to +18 VDC range.

- 2. Maximum input power without damage for all amplifiers is +20 dBm CW.
- 3. All specified temperatures are case temperatures.
- 4. Input and output VSWRs are 2.0:1 Max for all amplifiers listed.

Amplifier Cases

Celeritek cases use welded seals, and glass-to-metal feed-thru's, providing a high-reliability case which meets the gross and fine-leak requirements for military applications. All case types include field-replaceable connectors.

Standard amplifiers described will be supplied in Celeritek's **Celect™** Series case which is an all-aluminum welded package. The **CEL Series** case shown is available as an option.

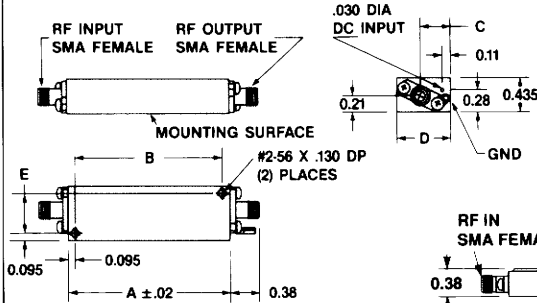
F-Series flatpack cases (not shown here) in stainless steel and designed for connectorized or connectorless use in circuit-board applications are also available. Contact the factory for additional case information.

3236 Scott Boulevard
Santa Clara, California 95054
(408) 986-5060

Fax: (408) 986-5095 01-96

Package Outlines

Celect™ Series



Celect™ Series

Case Type	A	B	C	D	E
SX2	1.100	0.910	0.390	0.70	0.510
SX4	1.600	1.410	0.390	0.70	0.510
SX6	2.100	1.910	0.390	0.70	0.510
SX8	2.600	2.410	0.390	0.70	0.510

CEL Series

Case Type	A	B	C	D
CEL2	1.10	0.68	0.600	0.940
CEL4	1.60	0.93	1.100	1.440
CEL6	2.10	1.43	1.600	1.940
CEL8	2.60	1.93	2.100	2.440

