

DELTRON *Components Limited*

SCREENED DIN CONNECTORS STANDARD PLUG (NICKEL)

PRODUCT SPECIFICATION

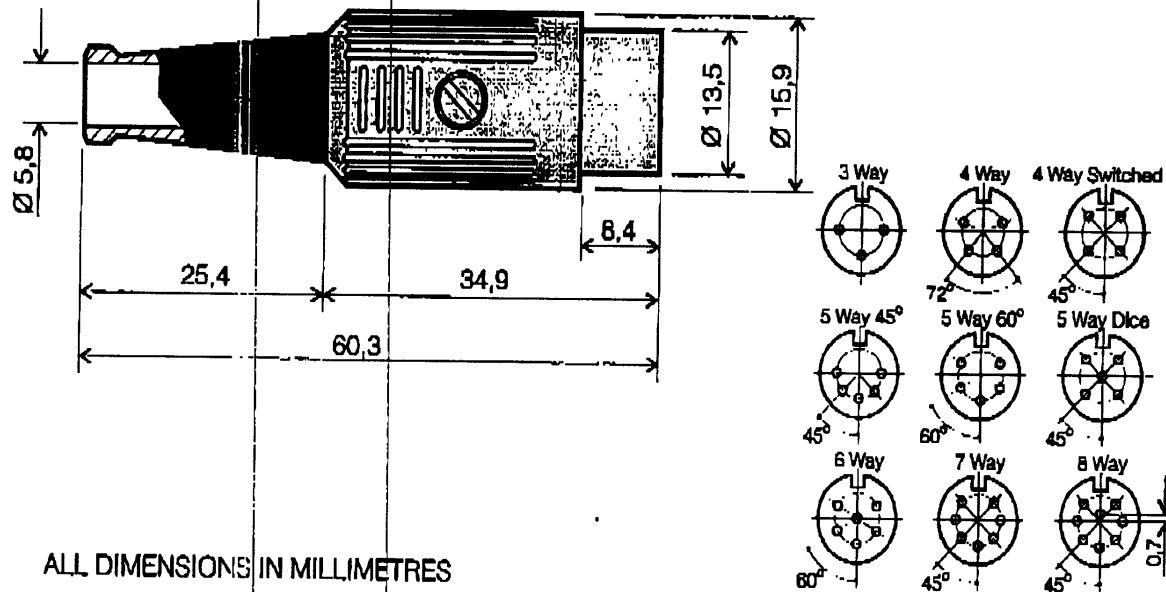
Sheet No. **PS 0480**

Date : 27.04.94 Issue No. 3 (08.07.96)

Sheet 1 of 1 Signature

Deltron Part No. **610 SERIES**

Dimensions



ALL DIMENSIONS IN MILLIMETRES

Description

A fully screened robust range of DIN connectors for use in instrumentation and audio applications. Available in two finishes; bright nickel and non-reflective electrically conductive matt black. Robust construction incorporating cable grip and strain relief. Manufactured to DIN 41524, 45322, 45326, 45327 and 45329.

| TYPE | NUMBER |
|----------------|----------|
| 3 Way | 610-0300 |
| 4 Way | 610-0400 |
| 4 Way Switched | 610-0410 |
| 5 Way 45° | 610-0500 |
| 5 Way 60° | 610-0510 |
| 5 Way Dice | 610-0520 |
| 6 Way | 610-0600 |
| 7 Way | 610-0700 |
| 8 Way | 610-0800 |

Features

MATERIALS

- HOUSING : Zinc Alloy
heavy nickel plated over copper
- MOULDING : Nylon
- CONTACTS : Brass
Silver Plated
- CABLE CLAMP : Mild Steel
zinc plated
- GROMMET : Black P.V.C.

ELECTRICAL RATINGS

- Working Voltage : 100 Vd.c. or a.c. peak
- Test Voltage : 1000 Vd.c.
- Insulation Resist. : 10¹¹Ω min at 100 Vd.c.
- Current Rating : 4 A
- Contact Resist. : 10 mΩ max
- Capacity (mated) : 3 pF
- Temp. Range : -25°C to +70°C