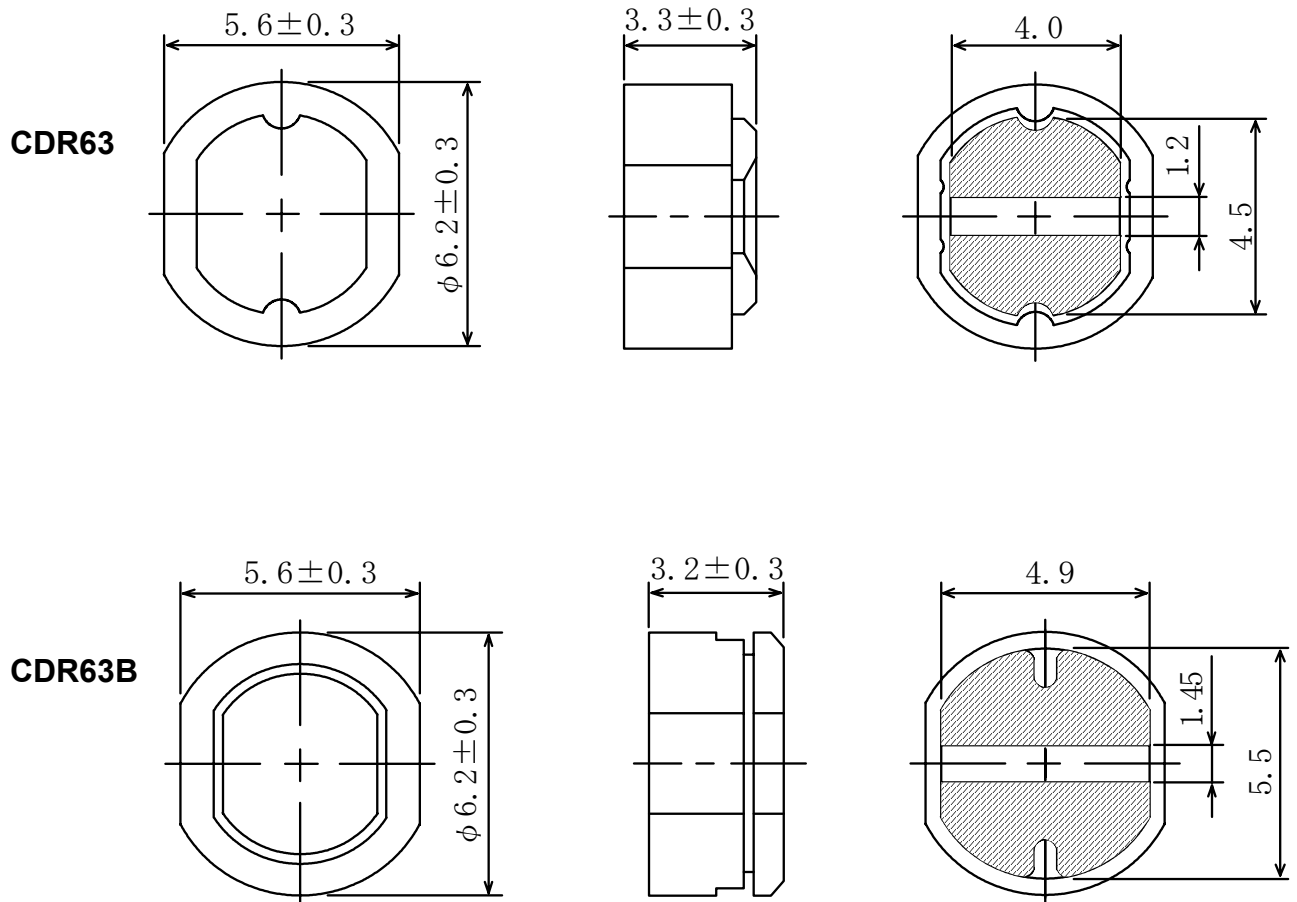


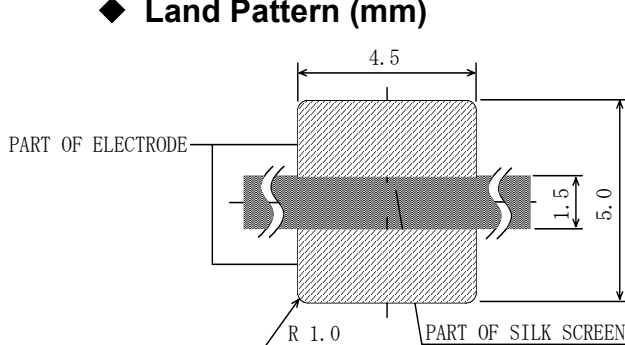
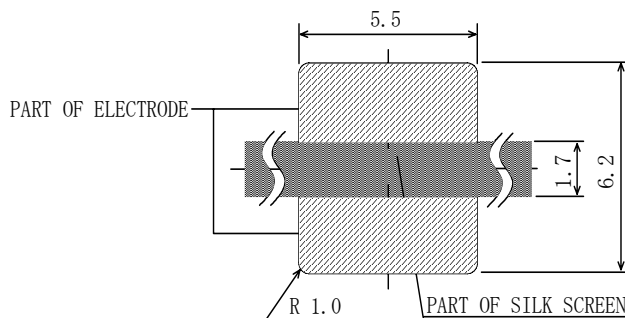
Type: CDR63, CDR63B
◆ Product Description

- 6.5×5.9mm Max.(L×W), 3.6mm Max. Height.(CDR63), 3.5mm Max. Height.(CDR63B)
- Inductance range: 10~100 μ H(CDR63) ; 10~68 μ H(CDR63B)
- Rated current range: 0.3~0.8A(CDR63) ; 0.42~1.0A(CDR63B).
- In addition to the standards versions shown here, custom inductors are also available to meet your exact requirements.


◆ Feature

- Magnetically shielded construction.
- Ideally used in Notebook PC ,LCD TV ,Game machine ,HDD,DSC/DVC, etc as DC-DC Converter inductors.
- RoHS Compliance.

◆ Dimensions (mm)


Type: CDR63, CDR63B
◆ Land Pattern (mm)

CDR63

CDR63B
◆ Specification(CDR63)

| Part name ※ | Stamp | Inductance [within] ※1 | D.C.R.(Ω) MAX. (at 20°C) | Rated Current(A) ※2-1 | S.R.F. (MHz) [Typ.] |
|----------------|-------|---------------------------|--------------------------------|-----------------------------|---------------------------|
| CDR63NP-10ØM□ | A | 10 μH ± 20% | 0.13 | 0.80 | 37.7 |
| CDR63NP-12ØM□ | B | 12 μH ± 20% | 0.14 | 0.74 | 31.7 |
| CDR63NP-15ØM□ | C | 15 μH ± 20% | 0.15 | 0.70 | 28.9 |
| CDR63NP-18ØM□ | D | 18 μH ± 20% | 0.18 | 0.64 | 26.7 |
| CDR63NP-22ØM□ | E | 22 μH ± 20% | 0.25 | 0.62 | 23.7 |
| CDR63NP-27ØM□ | F | 27 μH ± 20% | 0.34 | 0.57 | 18.9 |
| CDR63NP-33ØL□ | G | 33 μH ± 15% | 0.37 | 0.52 | 17.0 |
| CDR63NP-39ØL□ | H | 39 μH ± 15% | 0.39 | 0.45 | 16.6 |
| CDR63NP-47ØL□ | J | 47 μH ± 15% | 0.43 | 0.40 | 16.2 |
| CDR63NP-56ØL□ | K | 56 μH ± 15% | 0.50 | 0.37 | 13.8 |
| CDR63NP-68ØL□ | L | 68 μH ± 15% | 0.53 | 0.35 | 13.1 |
| CDR63NP-82ØL□ | M | 82 μH ± 15% | 0.75 | 0.32 | 11.8 |
| CDR63NP-101K□ | N | 100 μH ± 10% | 0.85 | 0.30 | 11.1 |

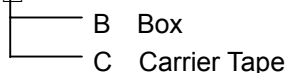
※1: Measuring frequency: 10μH ~ 82μH(at 2.52 MHz) ; 100 μH (at 1 kHz).

Type: CDR63,CDR63B
◆ Specification(CDR63B)

| Part Name ※ | Stamp | Inductance [Within] (at 2.52 MHz) | D.C.R.(Ω) [Max.] (at 20°C) | Rated Current(A) ※2-2 | S.R.F. (MHz) [Typ.] |
|----------------|-------|---|----------------------------------|-----------------------------|---------------------------|
| CDR63BNP-10ØM□ | A | 10 μ H ± 20% | 0.14 | 1.00 | 35.3 |
| CDR63BNP-12ØM□ | B | 12 μ H ± 20% | 0.16 | 0.94 | 32.2 |
| CDR63BNP-15ØM□ | C | 15 μ H ± 20% | 0.18 | 0.86 | 29.3 |
| CDR63BNP-18ØM□ | D | 18 μ H ± 20% | 0.25 | 0.78 | 26.7 |
| CDR63BNP-22ØM□ | E | 22 μ H ± 20% | 0.32 | 0.76 | 23.1 |
| CDR63BNP-27ØM□ | F | 27 μ H ± 20% | 0.36 | 0.64 | 20.8 |
| CDR63BNP-33ØL□ | G | 33 μ H ± 15% | 0.41 | 0.61 | 18.2 |
| CDR63BNP-39ØL□ | H | 39 μ H ± 15% | 0.47 | 0.53 | 17.0 |
| CDR63BNP-47ØL□ | J | 47 μ H ± 15% | 0.51 | 0.50 | 15.3 |
| CDR63BNP-56ØL□ | K | 56 μ H ± 15% | 0.72 | 0.46 | 14.1 |
| CDR63BNP-68ØL□ | L | 68 μ H ± 15% | 0.82 | 0.42 | 12.1 |

※ Description of part name

CDR63BNP-10ØM□



※2-1. Rated current: The D.C. current at which the inductance decreases to 80% of its nominal value or when $\Delta t=40^{\circ}\text{C}$, whichever is lower($T_a=20^{\circ}\text{C}$).

※2-2. Rated current: The D.C. current at which the inductance decreases to 90% of its initial value or when $\Delta t=40^{\circ}\text{C}$, whichever is lower($T_a=20^{\circ}\text{C}$).