

**PLEASE CHECK WWW.MOLEX.COM FOR LATEST PART INFORMATION**

**Part Number:** **0190770010**  
**Status:** **Active**  
**Description:** Avikrimp™ Steel Star Ring Tongue Terminal 18-22 AWG Wire, Stud Size 6, Mylar Tape Carrier

**Documents:**

[Drawing \(PDF\)](#) [RoHS Certificate of Compliance \(PDF\)](#)

**Agency Certification**

CSA LR18689  
 UL E32244

**General**

Product Family Ring and Spade Terminals  
 Series 19077  
 Crimp Quality Equipment Yes  
 Mil-Spec N/A  
 Product Name Avikrimp™  
 Type Ring

**Physical**

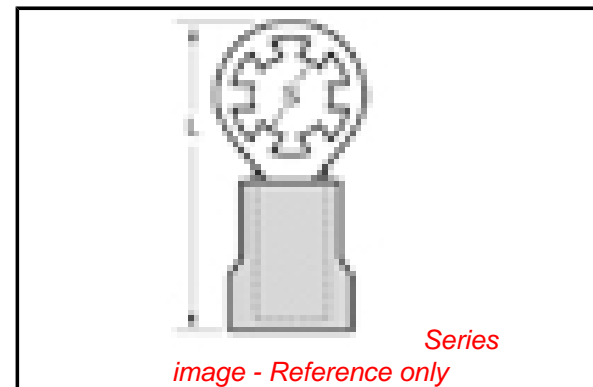
Barrel Type Closed  
 Flammability 94V-2  
 Insulation Nylon (PA)  
 Material - Plating Mating Tin  
 Packaging Type Adhesive Tape on Reel  
 Plating min: Mating (µin) 100  
 Plating min: Mating (µm) 2.5  
 Plating min: Termination (µin) 100  
 Plating min: Termination (µm) 2.5  
 Stud Size 6 (M3.5)  
 Termination Interface: Style Crimp or Compression  
 Wire Insulation Diameter 3.51mm (.138") max.  
 Wire Size AWG 18, 20, 22  
 Wire Size mm² 0.25 - 1.30

**Material Info**

Old Part Number SRA-S-829-06T

**Reference - Drawing Numbers**

Sales Drawing SD-19077-002



**EU RoHS**

**ELV and RoHS Compliant**  
**REACH SVHC**  
 Not Reviewed  
**Halogen-Free Status**  
**Not Reviewed**

**China RoHS**



**Need more information on product environmental compliance?**

Email [productcompliance@molex.com](mailto:productcompliance@molex.com)  
 For a multiple part number RoHS Certificate of Compliance, [click here](#)

Please visit the [Contact Us](#) section for any non-product compliance questions.

**Search Parts in this Series**

[19077Series](#)

**Application Tooling | [FAQ](#)**

*Tooling specifications and manuals are found by selecting the products below. Crimp Height Specifications are then contained in the Application Tooling Specification document.*

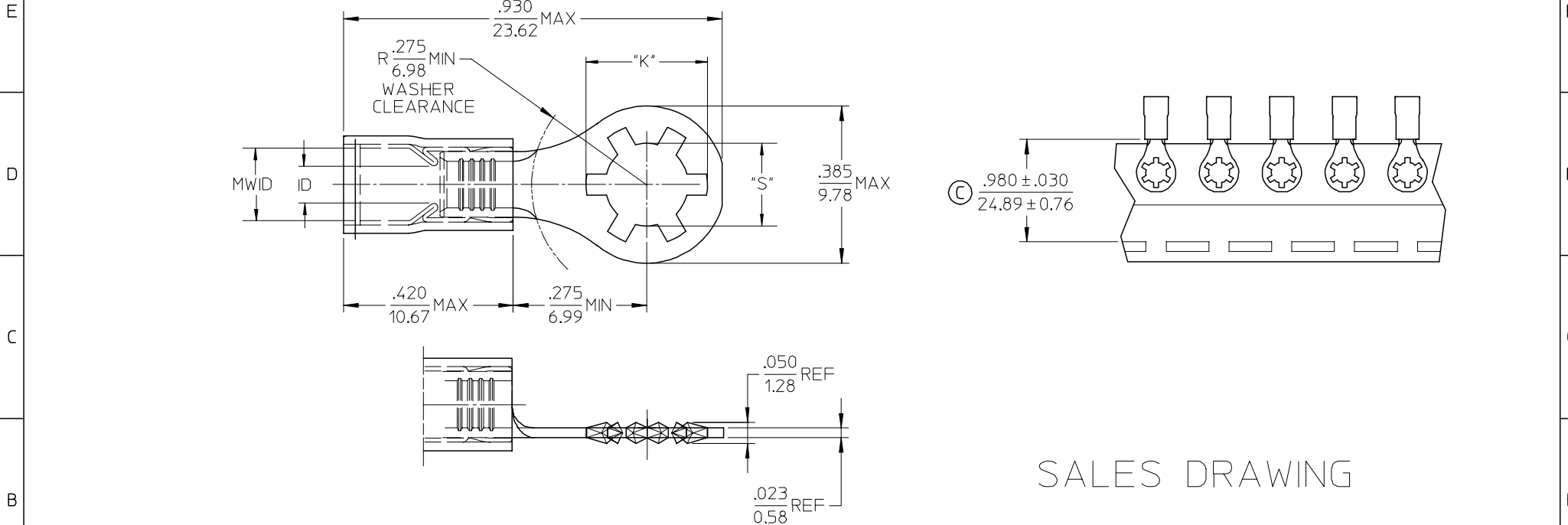
**Global**

Description	Product #
Crimp Dies for MTA-100 Tape Applicator used in 3BF Press, MTA-105 Tape Applicator used in TM-2000™ Press, and ATP-301 Air Crimping Press for Mylar Tape Mounted Terminals	<a href="#">0192880038</a>
Mini-Mac™ Applicator	<a href="#">0638851400</a>

This document was generated on 04/12/2010

**PLEASE CHECK [WWW.MOLEX.COM](http://WWW.MOLEX.COM) FOR LATEST PART INFORMATION**

MATERIAL NO.	ENG. NO.	MATERIAL NO. TAPE MOUNTED	ENG. NO. TAPE MOUNTED	STUD SIZE	"S" ±.005/.127	"K" REF DIA	WIRE RANGE AWG / MM <sup>2</sup>	INSULATION COLOR	I.D. MIN	MWID
190770009	SRA-S-829-06	190770010	SRA-S-829-06T	6	.146 (3.71)	.236 (5.99)	22-18/.25-1.3	RED	.062/1.57	.138/3.51
190770011	SRA-S-829-08	190770012	SRA-S-829-08T	8	.173 (4.39)	.263 (6.68)				
190770013	SRA-S-829-10	190770014	SRA-S-829-10T	10	.198 (5.03)	.288 (7.32)				
190770021	SRB-S-829-06	190770022	SRB-S-829-06T	6	.146 (3.71)	.236 (5.99)	16-14/1.0-2.6	BLUE	.086/2.18	.169/4.29
190770023	SRB-S-829-08	190770024	SRB-S-829-08T	8	.173 (4.39)	.263 (6.68)				
190770025	SRB-S-829-10	190770026	SRB-S-829-10T	10	.198 (5.03)	.288 (7.32)				



SALES DRAWING

- NOTES:
1. MATERIAL: STEEL.  
PLATING: ELECTROPLATE TIN.
  2. FERRULE: BRASS ELECTROPLATE TIN.  
PLATING: ELECTROPLATE TIN.
  3. INSULATION: NYLON.
  4. MWID=MAXIMUM WIRE INSULATION DIA.
  5. ALL DIMENSIONS IN INCHES (MM).
  6. ALL COMPONENTS ARE ROHS COMPLIANT. (C)

MODIFY TOL. EC NO: ETC2006-0425 DRWN: CYORK 2006/05/08 CHKD: JMACNEIL 2006/05/11 APPR: RDEROSS 2006/05/11	QUALITY SYMBOLS	GENERAL TOLERANCES (UNLESS SPECIFIED)	SCALE 1:1	DESIGN UNITS INCH	THIRD ANGLE PROJECTION	REVISE ON CAD ONLY															
	DESCRIPTION	<table border="1"> <thead> <tr> <th></th> <th>mm</th> <th>INCH</th> </tr> </thead> <tbody> <tr> <td>4 PLACES</td> <td>± ---</td> <td>± ---</td> </tr> <tr> <td>3 PLACES</td> <td>± ---</td> <td>± .005</td> </tr> <tr> <td>2 PLACES</td> <td>± 0.13</td> <td>± .01</td> </tr> <tr> <td>1 PLACE</td> <td>± 0.25</td> <td>± ---</td> </tr> </tbody> </table> ANGULAR ±1/2°		mm	INCH	4 PLACES	± ---	± ---	3 PLACES	± ---	± .005	2 PLACES	± 0.13	± .01	1 PLACE	± 0.25	± ---	DIMENSION STYLE IN/MM	TITLE	AVIKRIMP STEEL STAR RING TONGUE TERMINALS	
		mm	INCH																		
	4 PLACES	± ---	± ---																		
3 PLACES	± ---	± .005																			
2 PLACES	± 0.13	± .01																			
1 PLACE	± 0.25	± ---																			
▽ -0 ∇ -0	DRAFT WHERE APPLICABLE	DRAWN BY DMYRICK DATE 03/12/22 CHECKED BY SBEITZEL DATE 03/12/22 APPROVED BY RDEROSS DATE 03/12/22	MATERIAL NO. SEE CHART DOCUMENT NO. SD-19077-002 SHEET NO. 1 OF 1	MOLEX INCORPORATED																	
REV	MUST REMAIN WITHIN DIMENSIONS	THIS DRAWING CONTAINS INFORMATION THAT IS PROPRIETARY TO MOLEX INCORPORATED AND SHOULD NOT BE USED WITHOUT WRITTEN PERMISSION																			