



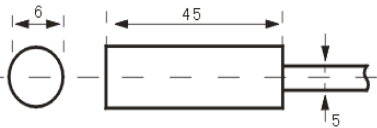
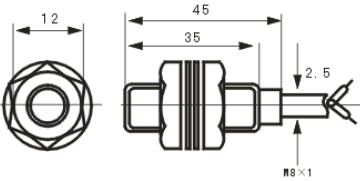
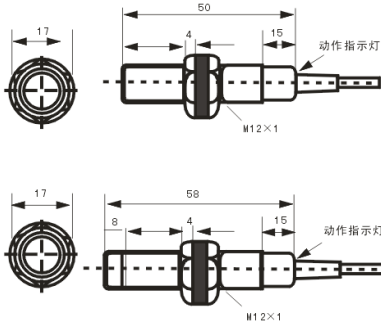
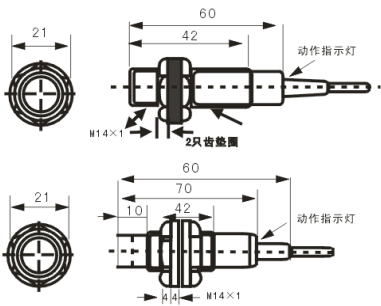




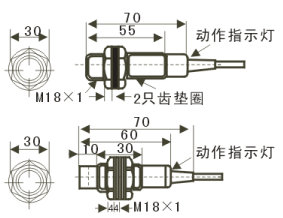
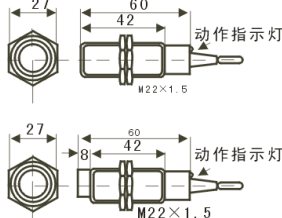
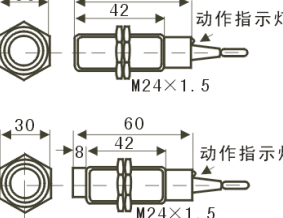
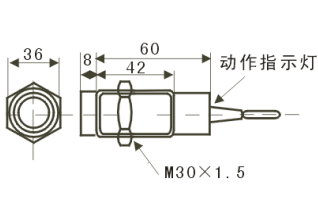




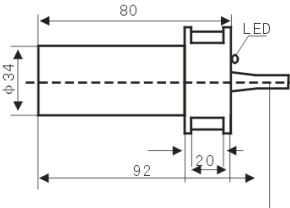
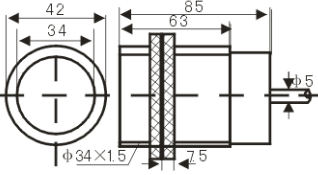
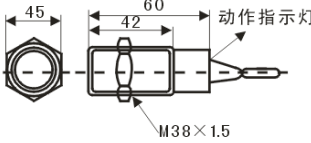
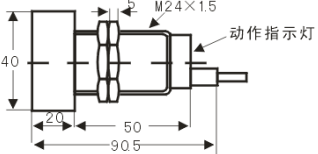


Structural category			Cylinder type				
Outward appearance code			LM6	LM8	LM12	LM14	
Outward appearance illustration							
Overall dimensions							
Flush	Detection distance		1mm	1mm	2mm	3mm	
	DC 6~ 36 VDC	NPN	NO	LM6-3001NA	LM8-3001NA	LM12-3002NA	LM14-3003NA
			NC	LM6-3001NB	LM8-3001NB	LM12-3002NB	LM14-3003NB
			NO +NC			LM12-3002NC	LM14-3003NC
		PNP	NO	LM6-3001PA	LM8-3001PA	LM12-3002PA	LM14-3003PA
			NC	LM6-3001PB	LM8-3001PB	LM12-3002PB	LM14-3003PB
			NO +NC			LM12-3002PC	LM14-3003PC
	two wire system	NO	LM6-3001LA	LM8-3001LA	LM12-3002LA	LM14-3003LA	
		NC	LM6-3001LB	LM8-3001LB	LM12-3002LB	LM14-3003LB	
	AC 90~ 250 VAC	SCR Control- lable silicon	NO			LM12-2002A	LM14-2003A
			NC			LM12-2002B	LM14-2003B
			NO +NC				www.DataSheet4U.com



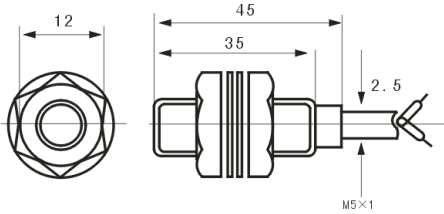
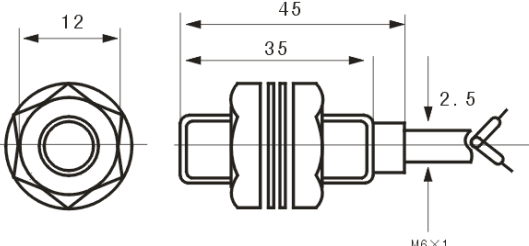
		Relay output					
N0n-flush	Detection distance			1.5mm	1.5mm	4mm	5mm
	DC 6~ 36 VDC	NPN	NO	LM6-3002NA	LM8-3002NA	LM12-3004NA	LM14-3005NA
			NC	LM6-3002NB	LM8-3002NB	LM12-3004NB	LM14-3005NB
			NO +NC			LM12-3004NC	LM14-3005NC
		PNP	NO	LM6-3002PA	LM8-3002PA	LM12-3004PA	LM14-3005PA
			NC	LM6-3002PB	LM8-3002PB	LM12-3004PB	LM14-3005PB
			NO +NC			LM12-3004PC	LM14-3005PC
	two wire system	NO	LM6-3002LA	LM8-3002LA	LM12-3004LA	LM14-3005LA	
		NC	LM6-3002LB	LM8-3002LB	LM12-3004LB	LM14-3005LB	
	AC 90~ 250 VAC	SCR Control- lable silicon	NO		LM8-2002LA	LM12-2004A	LM14-2005A
			NC			LM12-2004B	LM14-2005B
			NO +NC				
		Relay output					
	Control output	DC		150mA	150mA	200mA	200mA
SCR Relay				300mA	300mA		
Output voltage dropDC/AC				DC < 3V、 AC < 10V			
Consumption current				DC < 15mA、 AC < 10mA			
Standard detected object				6 × 6 × 1(A3 iron)	8 × 8 × 1(A3 iron)	15 × 15 × 1(A3 iron)	15 × 15 × 1(A3 iron)
Repeated precision				0.01	0.01	0.01	0.02
DC/AC Response frequency				500Hz	500Hz	400Hz/25Hz	300Hz/25Hz
Working environment temperatuer				-25 ~+75	-25 ~+75	-25 ~+75	-25 ~+75
Insulation resistance				30M	50M	50M	50M
Shell material				Stainless steel	Metal	Metal	Metal
Protection grade				IP67	IP67	IP67	IP67
Alemative model at home and abroad					E2E-X1R5	E2E-X5	LJ14A3-

Structural category				Cylinder type			
Outward appearance code				LM18	LM22	LM24	LM30
Outward appearance illustration							
Overall dimensions							
Flush	Detection distance			5mm	7mm	8mm	10mm
	DC 6~ 36 VDC	NPN	NO	LM18-3005NA	LM22-3007NA	LM24-3008NA	LM30-3010NA
			NC	LM18-3005NB	LM22-3007NB	LM24-3008NB	LM30-3010NB
			NO+NC	LM18-3005NC	LM22-3007NC	LM24-3008NC	LM30-3010NC
		PNP	NO	LM18-3005PA	LM22-3007PA	LM24-3008PA	LM30-3010PA
			NC	LM18-3005PB	LM22-3007PB	LM24-3008PB	LM30-3010PB
			NO+NC	LM18-3005PC	LM22-3007PC	LM24-3008PC	LM30-3010PC
	two wire system	NO	LM18-3005LA	LM22-3007LA	LM24-3008LA	LM30-3010LA	
		NC	LM18-3005LB	LM22-3007LB	LM24-3008LB	LM30-3010LB	
	AC 90~ 250 VAC	SCR Control- lable silicon	NO	LM18-2005A	LM22-2007A	LM24-2008A	LM30-2010A
			NC	LM18-2005B	LM22-2007B	LM24-2008B	LM30-2010B
			NO+NC	LM18-2005C	LM22-2007C	LM24-2008C	LM30-2010C
		Relay output					
Detection distance			8mm	10mm	10mm	15mm	
DC 6~ 36	NPN	NO	LM18-3008NA	LM22-3010NA	LM24-3010NA	LM30-3015NA	
		NC	LM18-3008NB	LM22-3010NB	LM24-3010NB	LM30-3015NB	

NO-n-flush	VDC		NO+NC	LM18-3008NC	LM22-3010NC	LM24-3010NC	LM30-3015NC
		PNP	NO	LM18-3008PA	LM22-3010PA	LM24-3010PA	LM30-3015PA
			NC	LM18-3008PB	LM22-3010PB	LM24-3010PB	LM30-3015PB
			NO+NC	LM18-3008PC	LM22-3010PC	LM24-3010PC	LM30-3015PC
	two wire system	NO	LM18-3008LA	LM22-3010LA	LM24-3010LA	LM30-3015LA	
		NC	LM18-3008LB	LM22-3010LB	LM24-3010LB	LM30-3015LB	
	AC 90~ 250 VAC	SCR Control- lable silicon	NO	LM18-2008A	LM22-2010A	LM24-2010A	LM30-2015A
			NC	LM18-2008B	LM22-2010B	LM24-2010B	LM30-2015B
			NO+NC	LM18-2008C	LM22-2010C	LM24-2010C	LM30-2015C
	Relay output						
Control output	DC		200mA	200mA	200mA	200mA	
	SCR Relay		300mA	300mA	300mA	300mA/1A	
Output voltage dropDC/AC			DC < 3V、 AC < 10V				
Consumption current			DC < 15mA、 AC < 10mA				
Standard detected object			18 × 18 × 1(A3 iron)	22 × 22 × 1(A3 iron)	24 × 24 × 1(A3 iron)	30 × 30 × 1(A3 iron)	
Repeated precision			0.02	0.05	0.05	0.05	
DC/AC Response frequency			200Hz/25Hz	200Hz/25Hz	200Hz/25Hz	100Hz/25Hz	
Working environment temperatuer			-25 ~+75	-25 ~+75	-25 ~+75	-25 ~+75	
Insulation resistance			50M	50M	50M	50M	
Shell material			Metal	Metal	Metal	Metal	
Protection grade			IP67	IP67	IP67	IP67	
Alternative model at home and abroad			LJ18A4-8-	LJ22A - -	LJ24A4-10-	E2E-X18M	

Structural category			Cylinder type			
Outward appearance code			LM34	LM35	LM38	LM40
Outward appearance illustration						
Overall dimensions						
Flush	Detection distance				12mm	
	DC 6~ 36 VDC	NPN	NO		LM38-3012NA	
			NC		LM38-3012NB	
			NO+NC		LM38-3012NC	
		PNP	NO		LM38-3012PA	
			NC		LM38-3012PB	
			NO+NC		LM38-3012PC	
	two wire system	NO		LM38-3012LA		
		NC		LM38-3012LB		
	AC 90~ 250 VAC	SCR Control- lable silicon	NO		LM38-2012A	
			NC		LM38-2012B	
NO+NC				LM38-2012C		
Relay output						
Detection distance			17mm	17mm	18mm	20mm
DC 6~ 36 VDC	NPN	NO	LM34-3017NA	LM35-3017NA	LM38-3018NA	LM40-3020NA
		NC	LM34-3017NB	LM35-3017NB	LM38-3018NB	LM40-3020NB
		NO+NC	LM34-3017NC	LM35-3017NC	LM38-3018NC	LM40-3020NC

N0n-flush		PNP	NO	LM34-3017PA	LM35-3017PA	LM38-3018PA	LM40-3020PA
			NC	LM34-3017PB	LM35-3017PB	LM38-3018PB	LM40-3020PB
			NO+NC	LM34-3017PC	LM35-3017PC	LM38-3018PC	LM40-3020PC
		two wire system	NO	LM34-3017LA	LM35-3017LA	LM38-3018LA	LM40-3020LA
			NC	LM34-3017LB	LM35-3017LB	LM38-3018LB	LM40-3020LB
	AC 90~ 250 VAC	SCR Control- lable silicon	NO	LM34-2017A	LM35-2017A	LM38-2018A	LM40-3020A
			NC	LM34-2017B	LM35-2017B	LM38-2018B	LM40-3020B
			NO+NC	LM34-2017C	LM35-2017C	LM38-2018C	LM40-3020C
		Relay output					
	Control output	DC		300mA	300mA	300mA	300mA
SCR Relay		300mA/1A					
Output voltage dropDC/AC		DC < 3V、 AC < 10V					
Consumption current		DC < 15mA、 AC < 10mA					
Standard detected object		34 × 34 × 1(A3 iron)	34 × 34 × 1(A3 iron)	38 × 38 × 1(A3 iron)	40 × 40 × 1(A3 iron)		
Repeated precision		0.1					
DC/AC Response frequency		100Hz/20Hz					
Working environment temperatuer		-25 ~+75			-25 ~+75		
Insulation resistance		50M					
Shell material		ABS Resin			Metal		
Protection grade		IP67					
Altemative model at home and abroad					LJ38A4-18-	SC-	

Structural category			Cylinder type		
Outward appearance code			LM5	LM6	
Outward appearance illustration					
Overall dimensions					
Flush	Detection distance		0.7mm	0.7mm	
	DC 6~ 36 VDC	NPN	NO	LM5-3001NA	LM6-3001NA
			NC		
			NO +NC		
		PNP	NO	LM5-3001PA	LM6-3001PA
			NC		
			NO +NC		
	two wire system		NO		
			NC		
	AC 90~ 250 VAC	SCR Control- lable silicon	NO		
NC					
NO +NC					
Relay output					

N0n-flush	Detection distance				
	DC 6~ 36 VDC	NPN	NO		
			NC		
			NO +NC		
		PNP	NO		
			NC		
			NO +NC		
	two wire system	NO			
		NC			
	AC 90~ 250 VAC	SCR Control- lable silicon	NO		
			NC		
NO +NC					
Relay output					
Control output	DC	100mA	100mA		
	SCR Relay				
Output voltage drop DC/AC	DC < 3V、 AC < 10V				
Consumption current	DC : <15mA AC : <10mA				
Standard detected object	8 × 8 × 1(A3 iron)	8 × 8 × 1(A3 iron)			
Repeated precision	0.01	0.01			
DC/AC Response frequency	500Hz	500Hz			
Working environment temperatuer	-25 ~+70	-25 ~+70			
Insulation resistance	50M	50M			
Shell material	Metal	Metal			
Protection grade	IP67	IP67			
Alternative model at home and abroad		EZE-X18ME1-M1			