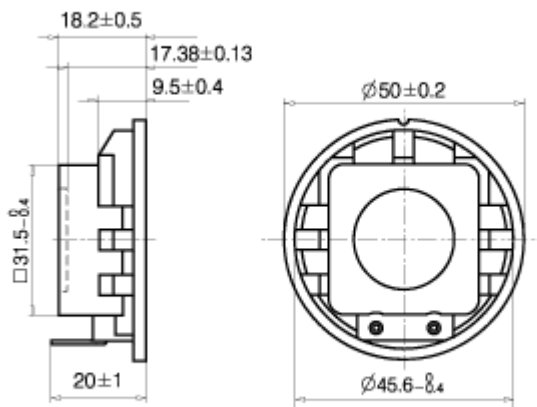




Type	BLS50-7
Rated Impedance( $\Omega$ )	$8 \pm 15\%$
Rated(Max.) Power(W)	0.5(1)
Resonant Frequency(Hz)	$360_{-80}^0$
Rated Freq.Range(Hz)	$f_0 \sim 3400$
Sound Pressure Level(dB)	$\geq 83$
Magnet(g)	17.2
Operating Temperature( $^{\circ}\text{C}$ )	$-10 \sim +40$

***OEM pin or extended wire with connector***



Unit:mm

